

## 10.1 inch Panel PC ViTAM-810BR Stainless steel housing



- 10.1" TFT LCD, 1280 x 800 pixels
- Resistive touch
- Processor: Intel Celeron J6412 (2.0GHz)
- IP66/IP69K stainless steel housing with M12 connections
- Flush frame design
- Fanless cooling system
- Horizontal reading angle 170°, vertical 170°

<https://www.wachendorff-prozesstechnik.de/en/vitam-810br>

### Description

The ViTAM-8B series is based on an Intel Celeron J6412 (2.0 GHz) processor.

The industrial panel PCs in this series are available in display sizes from 10.1" to 24", with either projected capacitive or resistive touch. The projected capacitive touch enables multi-touch operation with a corresponding operating system. If pressure-sensitive operation is required (e.g. with gloves), the resistive touch is the right choice. The front panels are absolutely flush with the stainless steel housing (type 304). The housing is designed in IP69K (incl. IP66) with M12 connection options. An on/off button is also integrated on the side of the Panel PC. The unique fanless thermal design of the robust stainless steel housing enables effective temperature control. The ViTAM IPCs can be optionally equipped with a high-brightness LCD and/or optical bonding for an outstanding display, even under the most difficult conditions.

### Product details

Power supply:	9 VDC to 36 VDC
Power consumption:	max. 31.46 W
Display:	10.1" TFT LCD
Resolution:	1280 x 800 pixels
Aspect ratio:	16:10
Brightness:	350 cd/m <sup>2</sup> 1000 cd/m <sup>2</sup> (optional High Brightness)
Colors:	16,7 M 16.2 M (optional High Brightness)
Contrast:	800:1 1300:1 (optional High Brightness)
Reading angle:	H: 170° / V: 170°
Touch screen:	resistive
Processor:	Intel Celeron J6412 (2.0 GHz)
RAM:	1 x 260-pin SO-DIMM up to 32GB DDR4 3200MHz
Storage space:	1 x M.2 B-Key (SATA 3), standard support for 2242

Interfaces:	USB: 1 x M12 8-pin for USB 2.0 with waterproof termination Serial: 1 x M12 8-pin for COM 1 (RS-232/-422/485, default RS-232) with waterproof termination Ethernet: 1 x M12 A-code, 8-pin, socket (female) for Gigabit Ethernet with waterproof termination Other: 1 x On/Off button (on the side, waterproof) Power supply: 1 x M12, 3-pin for DC with waterproof closure, 1 x on/off switch on the back
Expansion slots:	1 x Mini PCIe slot for 4G/5G module 1 x M.2 E-Key 2230 for WiFi/BT module 1 x Nano SIM card slot
Housing:	Stainless steel (type 304, optionally 316)
Assembly:	VESA mounting 75 x 75 mm, yoke mount (optional)
Protection class:	IP66/IP69K
Weight:	3.94 kg
Dimensions (WxHxD):	300 mm x 220 mm x 53 mm
Ambient conditions:	Operation: 0 °C to +50 °C, optionally -20 °C to 60 °C Storage: -30 °C to +70 °C 10 to 95 % r.h. at 40 °C, non-condensing
Certifications:	CE/FCC class A
Operating systems:	Windows® 10 IoT Windows® 11 IoT
Options:	2 x optional, unpopulated M12 connectors with watertight seal to select two of the following options: 2 x USB 2.0 1 x USB 3.0 1 x LAN 1 x COM RFID module design on the front optional -20 °C to 60 °C
Scope of delivery:	Device 1 x M12 plug-in power supply 1 x M12 USB cable (1x M12 to 2x USB 2.0)
Customs tariff number:	84715000
Manufacturer:	Aplex Technology Inc.

### Products Order no.

---

ViTAM-810BR	10.1" resistive touch panel PC, stainless steel
-------------	--

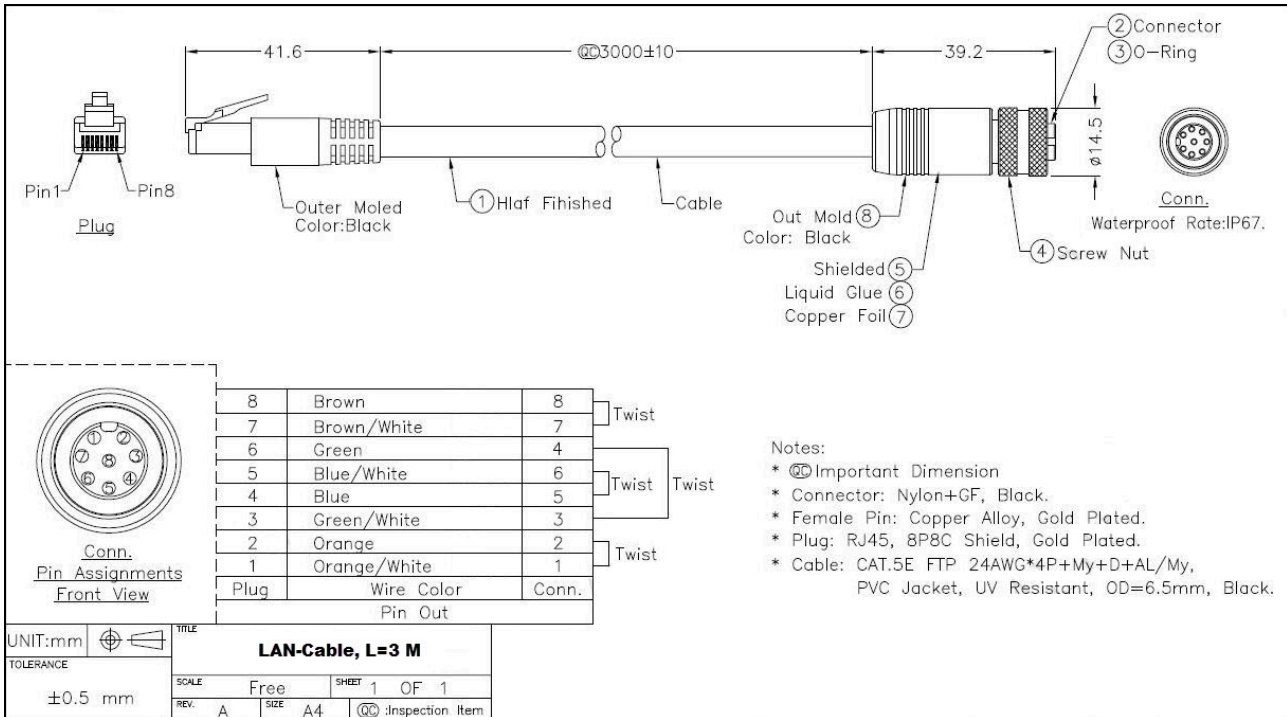
---

**Accessories Order no.**

PPC-D-103	VESA stand stainless steel (type 304) 75 x 75 / 100 x 100
PPC-W-101	VESA wall bracket stainless steel (type 304) 75 x 75 / 100 x 100
PPC-W-101S	VESA wall bracket stainless steel (type 316) 75 x 75 / 100 x 100
PPC-Y-100	Stainless steel U-shaped monitor holder for ViTAM IPC and displays
ETHSWG5C	5-way Ethernet switch, unmanaged
KABM12ETH3	M12-A to RJ45, shielded, L=3m
KABM12ETH5	M12-A to RJ45, shielded, L=5m
KABM12ETH10	M12-A to RJ45, shielded, L=10m



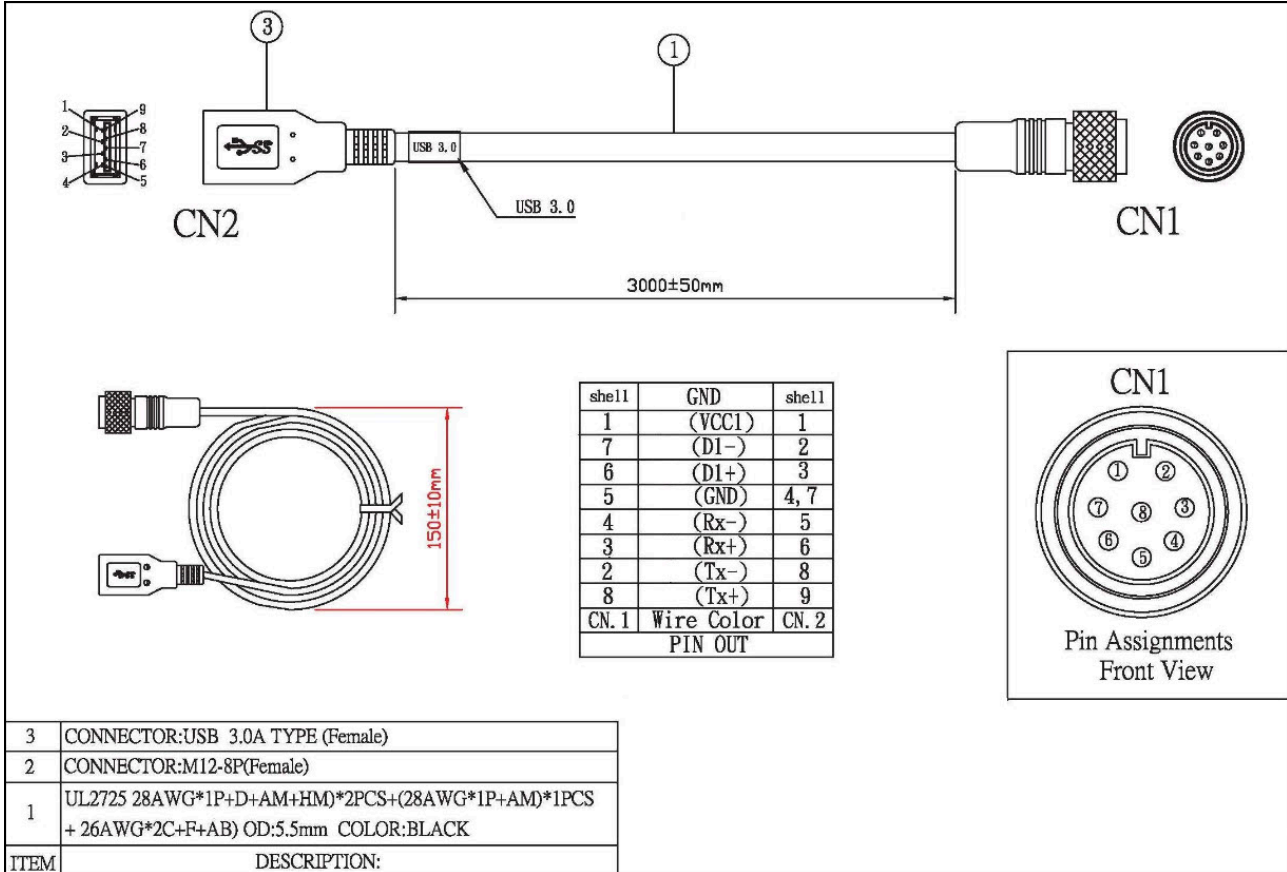
**Drawings**  
**LAN cable**



(may not be included in the scope of delivery)

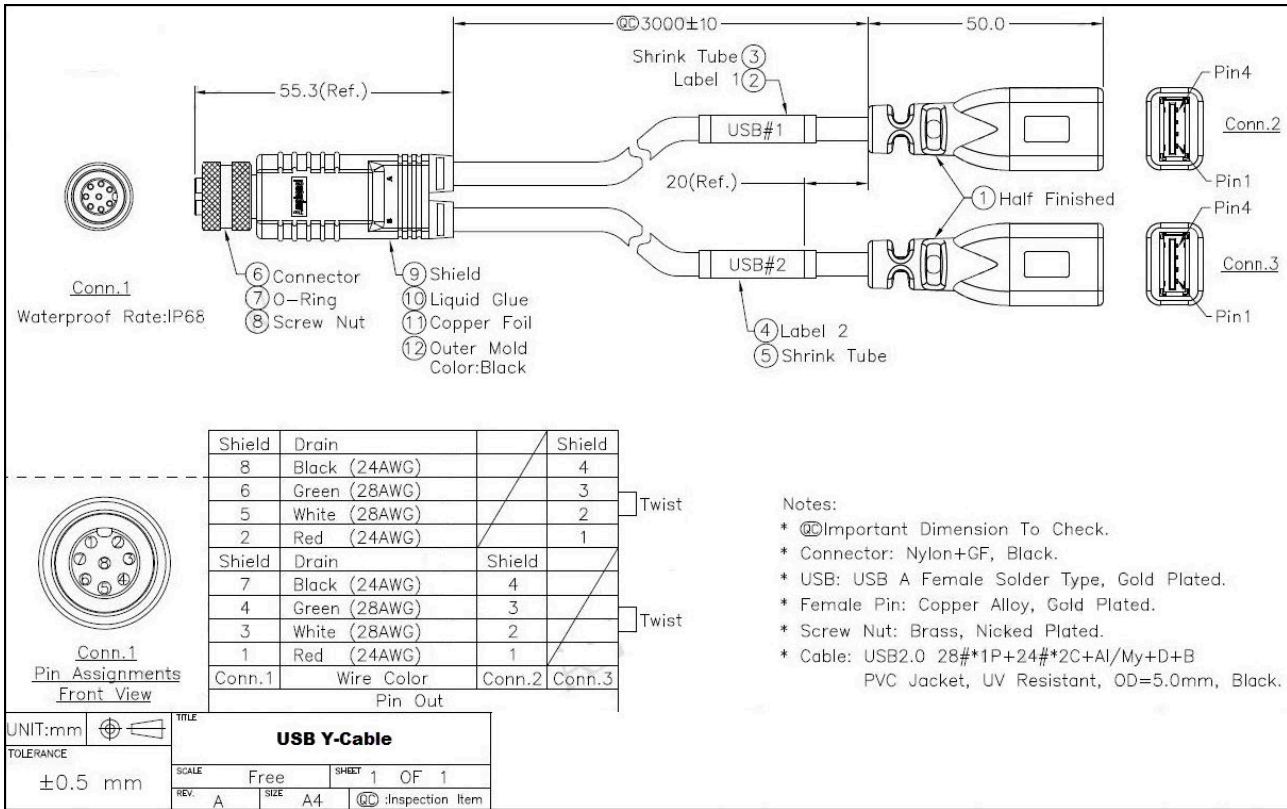
**Drawings**

**USB 3.0 cable**



(may not be included in the scope of delivery)

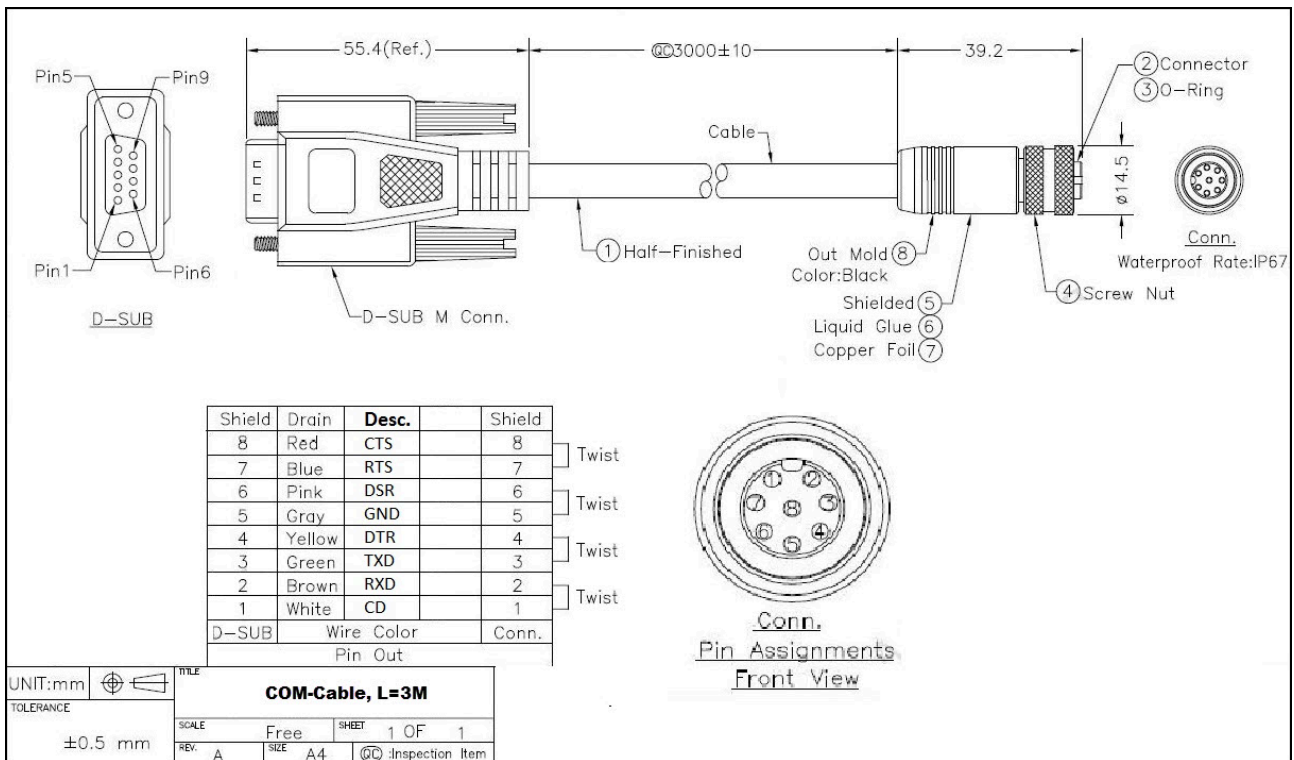
**Drawings**  
**USB Y-cable**



(may not be included in the scope of delivery)

**Drawings**

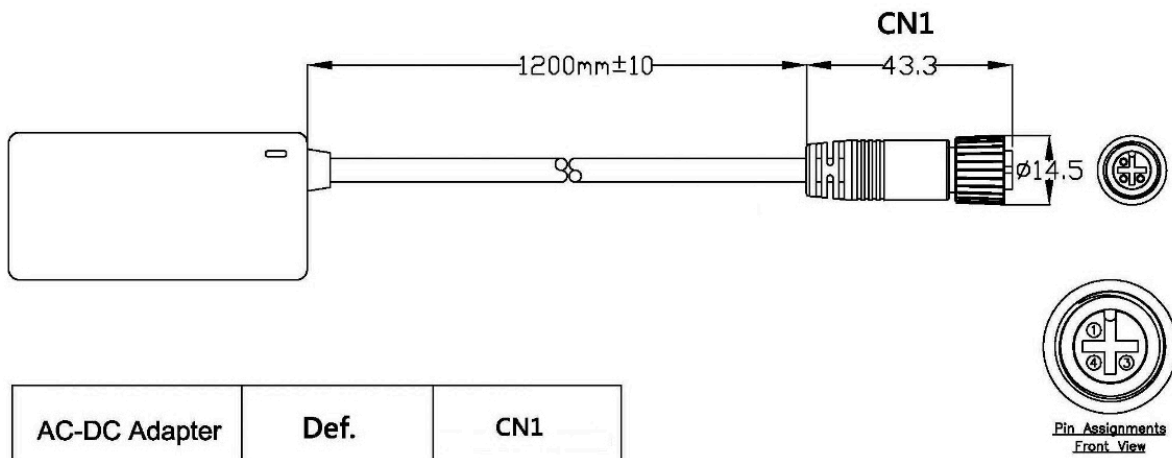
**COM cable**



(may not be included in the scope of delivery)

**Drawings**

**Power adapter**



AC-DC Adapter	Def.	CN1
	FG	1
(White)	VCC	3
	GND	4

(may not be included in the scope of delivery)



Wachendorff Prozesstechnik GmbH & Co. KG  
Industriestrasse 7 • 65366 Geisenheim  
Germany

Phone: +49 (0) 67 22 / 99 65 - 20  
E-Mail: [wp@wachendorff.de](mailto:wp@wachendorff.de)  
[www.wachendorff-prozesstechnik.de](http://www.wachendorff-prozesstechnik.de)

