

Time relay and cycle counter CUB5T



- Timer, time relay and cycle counter in one device
- Can be upgraded with optional relay output card and RS232/485
- Very high resolution of the timer up to 0.001 second
- 7-digit, 12 mm high, brilliant LCD display
- Easily programmable via front buttons or software
- Optional switching output
- Optional RS232/RS485 or USB interface

<https://www.wachendorff-prozesstechnik.de/en/CUB5T>

Description

The CUB5T is an inexpensive digital display that can be used as a timing device, time relay or cycle counter. With its high resolution, two-color display and very wide temperature range, the CUB5T leaves nothing to be desired and can also be used in harsh conditions. Thanks to its simple programming via the keypad, it can be put into operation immediately.

Product details

Entrance	Timer inputs: 2 control inputs Low Active. Control: Relay, PNP/NPN, open collector.
Resolution	Timer: min. 0.001 s, max. 1h
Accuracy	Timer: ± 0.01 % of the display value
Display	Timer: 7-digit, 12 mm high brilliant LCD, with "t" indicator, minimum resolution resolution: 0.001 second, maximum resolution: 1 hour, Accuracy: ± 0.01 %. Cycle counter: 6-digit, 12 mm high brilliant LCD, with "C" indicator, maximum counting frequency: 10 Hz Maximum counting frequency at input B500 Hz (filter deactivated). Standard LCD or with red/green switchable backlighting (the intensity can be selected in 5 levels).
Keys	SEL: Switch between timer and cycle counter display. Access to programming level and saving of parameters. RST: Reset. These buttons are also used to program the timer/counter and can be locked.
Timer inputs	Logic inputs active low, pulse width 1 msec. Min., timer start/stop response time 1 msec. Max. input filter to be activated via programming to prevent contact bounce. Control input A: internal pull-up resistor 7.8 kOhm, $V_{ILmax}=1.25\text{ V}, V_{IHmin}=+2.75\text{ V}, V_{max}=+28\text{ V}$ Control input B: internal pull-up resistor 10 kOhm, $V_{ILmax}=1.0\text{ V}, V_{IHmin}=+2.4\text{ V}, V_{max}=+28\text{ V}$

Display area	Timer: 0 to 9999999 Cycle counter: 0 to 999999 18 adjustable time formats: s, m, h, ms, hm, hms, Thm, ...
Function inputs	User input: USER INPUT: Low active, response time: 5 msec. typical, (on/off: 50 msec.) Programmable function (programming inhibit etc. see programming). Internal pull-up resistor 10 kOhm, $V_{ILmax}=1.0\text{ V}, V_{IHmin}=+2.4\text{ V}, V_{max}=+28\text{ V}$
Operating modes	Timer Time relay Cycle counter
Relay output card with one switching output (option)	Type: Form-C relay, 1 A at 30 VDC or 0.3 A at 125 VAC. Closing and opening delay: 4 mSec. max. 100,000 switching cycles min.
Interface cards (option)	RS232: Half-duplex (not isolated) 300 baud to 38400 baud. RS485: Transmission delay 2 mSec./min. or 50 mSec./min. adjustable. 2-wire/half-duplex (non-isolated), 300 baud to 38400 baud, up to 32 devices in the loop. Address 0 to 99.
Programming	Programming is carried out via the two front buttons or via software (only with interface card). The simple and logically structured menu navigation allows very fast commissioning. Access rights can also be assigned.
Data backup	EEPROM
Supply	Standard LCD display: 9 VDC to 28 VDC, max. 30 mA. Backlit display: 9 VDC to 28 VDC, max. 125 mA. 230 VAC supply via direct screw-on power supply unit.
Protection class	Jet-proof and dust-tight to IP65 from the front.
Ambient conditions	Operating temperature: Standard LCD: $-35\text{ }^{\circ}\text{C}$ to $+75\text{ }^{\circ}\text{C}$, Backlit LCD: $-35\text{ }^{\circ}\text{C}$ to $+35\text{ }^{\circ}\text{C}/+75\text{ }^{\circ}\text{C}$ (depending on display intensity), Storage temperature: $-35\text{ }^{\circ}\text{C}$ to $+85\text{ }^{\circ}\text{C}$
Connection	About screw terminals

Dimensions: (W x H x D)	75 mm x 39 mm x 44 mm, Panel cut-out: DIN 68 mm x 33 mm
Assembly	Fastening via mounting frame, screw connections (connection)
Weight	approx. 100 g
Scope of delivery	Device, fixing material, seal, operating instructions.
Accessories	Power supply unit for 85 to 250 VAC/12 VDC, 400 mA.
Customs tariff number:	9032 89 00
Manufacturer	Red Lion, USA

Products Order no.

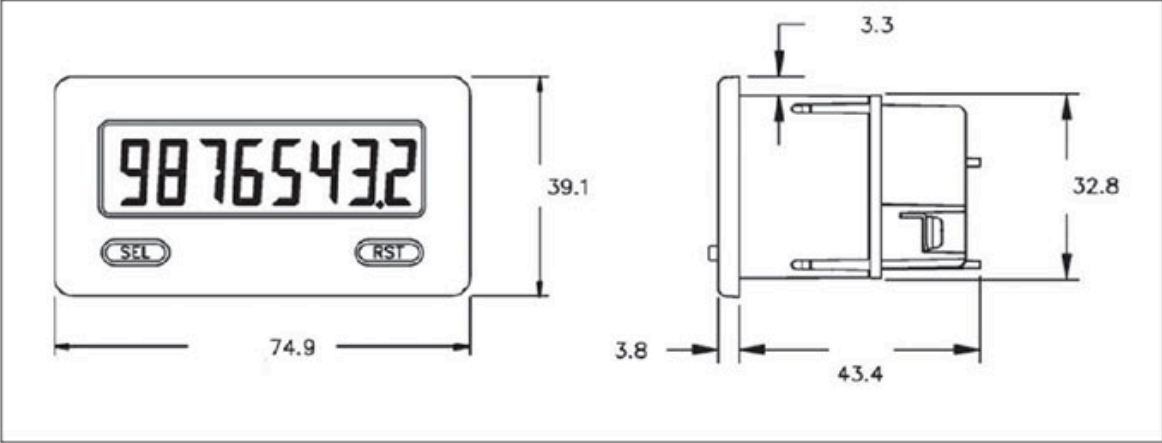
CUB5TR00	Timer and cycle counter CUB5T, - Standard LCD
CUB5TB00	Timer and cycle counter CUB5T, - red/green backlit LCD

Accessories Order no.

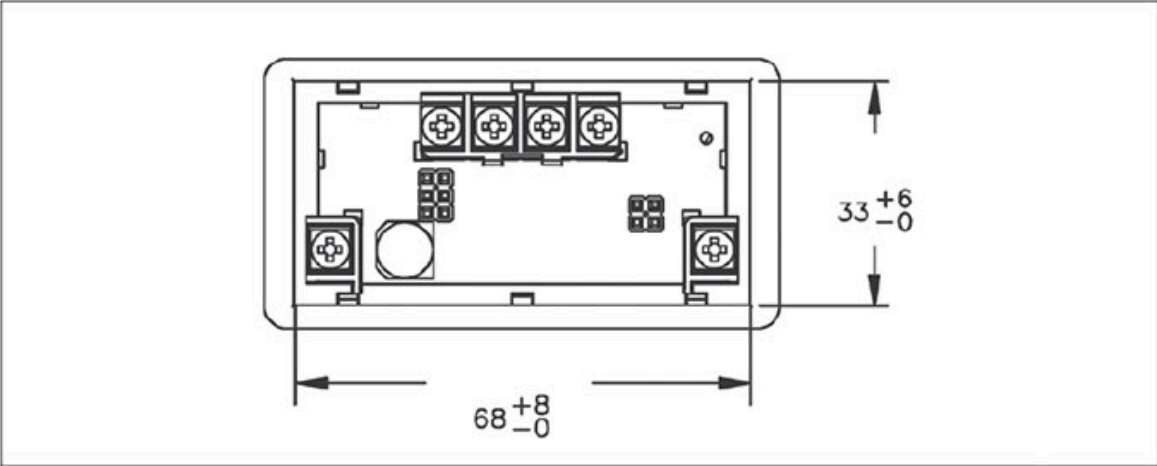
CUB5COM1	RS485 serial interface
CUB5COM2	Serial interface RS232
CUB5RLY0	Relay output card (option)
ENC80000	Steel housing, W: 114 mm x H: 101 mm, D: 89 mm
ENC8A000	Plastic housing, W: 130 mm x H: 80 mm, D: 77 mm
ENC8B000	Plastic housing, W: 120 mm x H: 122 mm, D: 96 mm for devices with power supply unit
MLPS1000	MPLS power supply unit Input: 85 VAC to 250 VAC Output: 12 VDC, max. 400 mA

Drawings

Dimensions (mm)



Abmessungen (in mm)



Rückseite (Maße in mm)



Wachendorff Prozesstechnik GmbH & Co. KG
Industriestrasse 7 • 65366 Geisenheim
Germany

Phone: +49 (0) 67 22 / 99 65 - 20
E-Mail: wp@wachendorff.de
www.wachendorff-prozesstechnik.de

