

Counter and speedometer CUB5



- 2 counters and a tachometer in one device
- Batch counter function
- 8-digit, 12 mm high, brilliant LCD display
- IP65 protection class on the front
- Easily programmable via front buttons or software
- Phase discriminator up to 4x resolution
- All commercially available sensors can be adapted via DIP switches
- Upgradeable with optional relay or transistor output card
- Upgradeable with serial interface card RS232/RS485/USB

<https://www.wachendorff-prozesstechnik.de/en/CUB5>

Description

The CUB5 is an inexpensive display for 2 counter values and one speed. It can be used, for example, as a position, speed, piece count, speed or flow rate display and stack counter and can be put into operation immediately thanks to its simple programming.

Product details

Display:	8-digit, 12 mm high, brilliant LCD, standard or with red/green and switchable backlighting. The intensity of the backlight can be adjusted in 5 levels.
Buttons:	SEL: Switch between tachometer and counter displays. Access to programming level and saving of parameters. RST: Reset. These buttons are also used to program the counter and can be locked.
Inputs:	Scalable counting inputs A and B. Adaptable via DIP switches to almost all sensors. Maximum input voltage 28 VDC.
Counter operating modes and max. input frequency:	Up/down counter Output card: inactive 20 kHz, active 20 kHz Up counter/tachometer Output card: inactive 20 kHz, active 20 kHz Two up counters Output card: inactive 20 kHz, active 16 kHz Phase discriminator x 1 Output card: inactive 20 kHz, active 20 kHz Phase discriminator x 2 Output card: inactive 20 kHz, active 14 kHz Phase discriminator x 4 Output card: inactive 20 kHz, active 13 kHz Dual summation Output card: inactive 20 kHz, active 20 kHz Sum/difference Output card: inactive 20 kHz, active 20 kHz

Speedometer:	min. Input frequency = 0.01 Hz, max. 20 kHz. Accuracy: $\pm 0.01\%$.
Sensor connection:	Almost any commercially available sensor can be adapted to input A via DIP switches. Max. Input voltage 28 VDC. At input B, the sensor can be adapted via an external resistor (included in the scope of delivery).
User inputs:	USER INPUT: Low active, delay time: 5 ms Programmable function (display reset programming lock, etc.); max. 28 VDC.
Data backup:	EEPROM
Programming:	Programming is carried out using the two front buttons or via the interface and programming software. The simple and logically structured menu navigation allows very fast commissioning. Access rights can also be assigned.
Power supply:	9 VDC to 28 VDC, standard LCD: max. 30 mA, with backlight max. 125 mA. 230 VAC supply via directly screw-on power supply unit (see accessories).
Protection class:	Jet-proof and dust-tight to IP65 from the front.
Housing:	Plastic housing: W 75 mm x H 39 mm x D 44 mm. Panel cut-out: 68 mm x 33 mm.
Connection:	Via screw terminals.
Relay output card (option):	1 output as normally closed/ normally open contact, 1 A at 30 VDC or 0.3 A at 125 VAC. Closing and opening delay: max. 4 msec.
Transistor output card (option):	2 outputs as NPN Open Drain MOSFET without galvanic isolation, 100 mA max., max. 30 volts.
Interface card (option):	RS232: half-duplex (not isolated) 300 baud to 38,400 baud or RS485: Transmission delay 2 msec./min. to 50 msec./min., 300 baud to 38,400 baud, up to 32 devices in the loop (not isolated) or USB: Virtual COM port, 300 baud to 38,400 baud, type B connection.

Ambient temperature:	Standard LCD: -35 °C to +75 °C Backlit LCD display: -35 °C to +35 °C/75 °C (depending on the intensity of the display) Storage: -35 °C to +85 °C.
Weight:	approx. 100 g.
Scope of delivery:	Device, fixing material, seal, operating instructions.
Customs tariff number:	9029 10 00
Manufacturer:	Red Lion Controls, USA.

Products Order no.

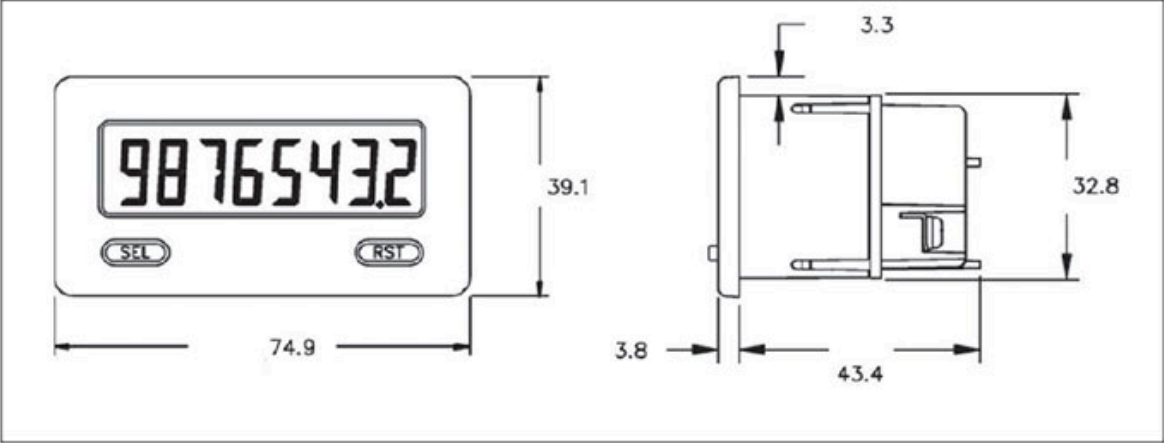
CUB5B000	Counter and speedometer CUB5, 8-digit, 12 mm high LCD, IP65, red-green backlit LCD
CUB5R000	Counter and speedometer CUB5, 8-digit, 12 mm high LCD, IP65, standard LCD

Accessories Order no.

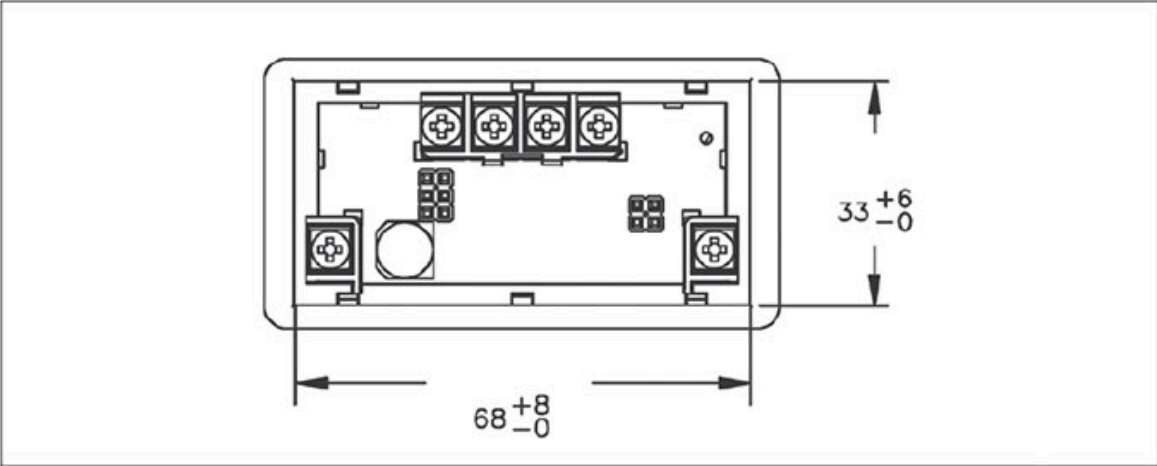
BMK11000	DIN rail adapter for CUB5 series and MLPS
CUB5RLY0	Relay output card (option)
CUB5COM1	RS485 serial interface
CUB5COM2	Serial interface RS232
CUB5SNK0	Transistor output card
CUB5USB0	USB interface
KABUSB21	USB cable, USB 2.0 A to USB 2.0 B, 1.8 m length
ENC80000	Steel housing, W: 114 mm x H: 101 mm, D: 89 mm
ENC8A000	Plastic housing, W: 130 mm x H: 80 mm, D: 77 mm
ENC8B000	Plastic housing, W: 120 mm x H: 122 mm, D: 96 mm for devices with power supply unit
MLPS1000	MPLS power supply unit Input: 85 VAC to 250 VAC Output: 12 VDC, max. 400 mA
MLPS2000	MPLS power supply unit: Input 85 VAC to 250 VAC Output: 24 VDC, max. 200 mA

Drawings

Dimensions (mm)



Abmessungen (in mm)



Rückseite (Maße in mm)



Wachendorff Prozesstechnik GmbH & Co. KG
Industriestrasse 7 • 65366 Geisenheim
Germany

Phone: +49 (0) 67 22 / 99 65 - 20
E-Mail: wp@wachendorff.de
www.wachendorff-prozesstechnik.de

