

## Mobile radio antenna WEW40902G



- Suitable for LTE
- Gain 7-10 dBi (depending on frequency range)
- 5m connection cable with SMA plug
- Pole or wall mounting

<https://www.wachendorff-prozesstechnik.de/en/WEW40902G>

### Description

Directional mobile radio antenna with connection cable for modems and VPN routers.

High gain due to direct alignment to mobile radio transmitters (7-10 dBi). Optional wall mounting or pole mounting possible.

### Product details

|                      |  |
|----------------------|--|
| Interfaces:          | 1x SMA plug  |
| Cable length:        | 5 meters   |
| Frequency ranges:    | 790 to 960 MHz<br>1710 to 2170 MHz<br>2300 to 2700 MHz   |
| Antenna gain:        | 7 / 10 / 8 dBi   |
| Impedance:           | 50 Ohm   |
| Art:                 | Directional antenna                                      |
| Weight:              | approx. 800g   |
| Dimensions:          | DxHxW: 60.3 mm x 197.5 mm x 197.5 mm                     |
| Ambient temperature: | Operation: -30 °C to +60 °C<br>Storage: -30 °C to +60 °C |

### Products Order no.

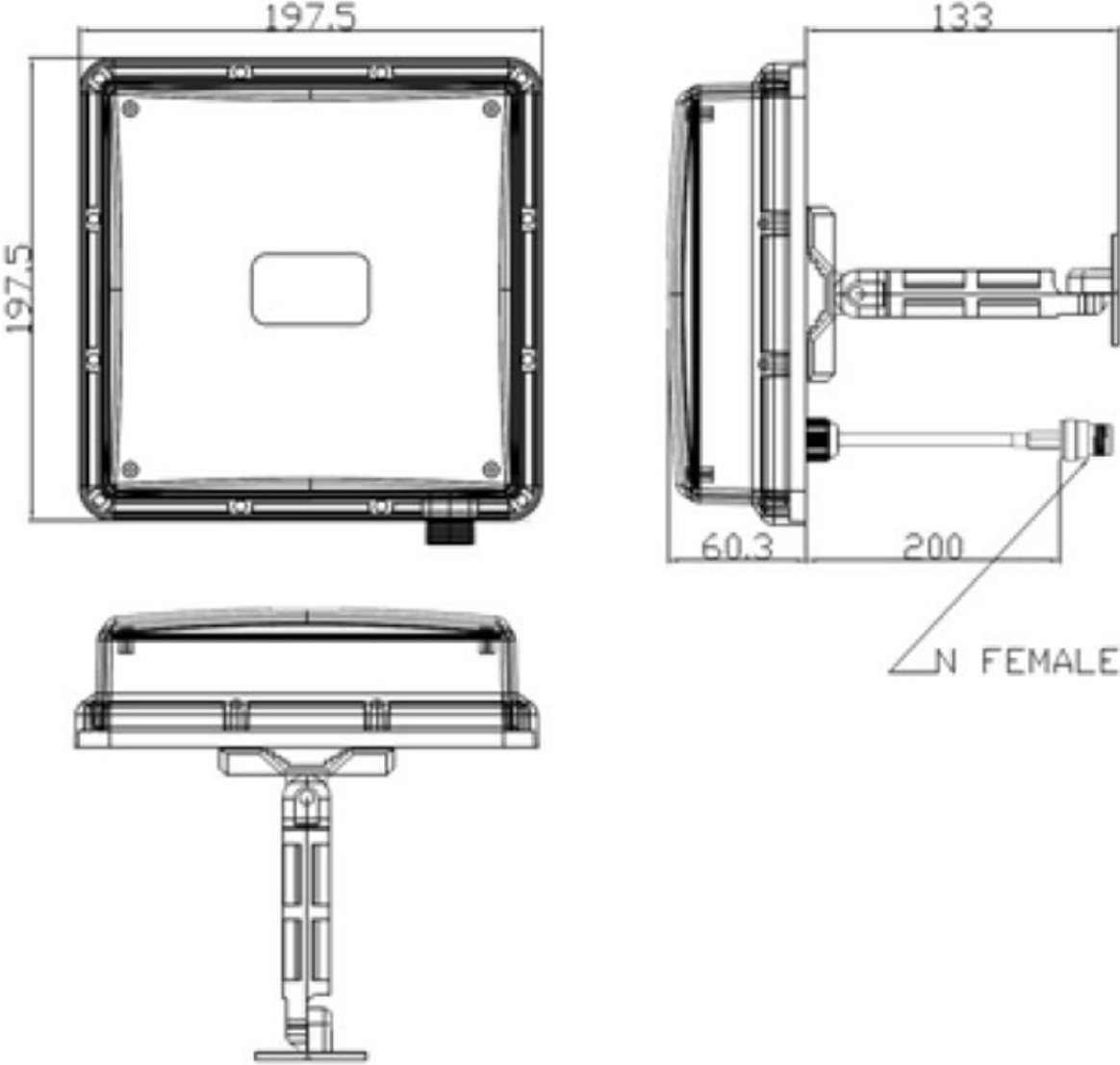
|           |   |
|-----------|---|
| WEW40902G | Directional radio antenna for GSM, 2G/GPRS, 3G/UMTS/HSPA, 4G/LTE screwable with 5 m cable |
|-----------|---|

### Accessories Order no.

|           |   |
|-----------|---|
| ECCAIRC01 | Extension cable mobile phone antenna 1 meter      |
| ECCAIRC03 | Extension cable for mobile phone antenna 3 meters |
| ECCAIRC05 | Mobile phone antenna extension cable 5 meters     |

Drawings

Dimensions





Wachendorff Prozesstechnik GmbH & Co. KG  
Industriestrasse 7 • 65366 Geisenheim  
Germany

Phone: +49 (0) 67 22 / 99 65 - 20  
E-Mail: [wp@wachendorff.de](mailto:wp@wachendorff.de)  
[www.wachendorff-prozesstechnik.de](http://www.wachendorff-prozesstechnik.de)

