

## Ewon Flexy expansion card Digital and analog I/O



- Expansion card for Ewon Flexy base modules
- Combination card for digital and analog inputs/outputs
- 8 digital inputs (max. 24V)
- 4 analog inputs (0-10V, 0/4-20mA)
- 2 relay outputs (max. 24V / 3A)

<https://www.wachendorff-prozesstechnik.de/en/flx3402>

### Description

This expansion card for the Ewon Flexy base modules offers a combination of several digital and analog inputs and outputs. With this extension, sensors and actuators can be connected directly to the Flexy and processed.

### Product details

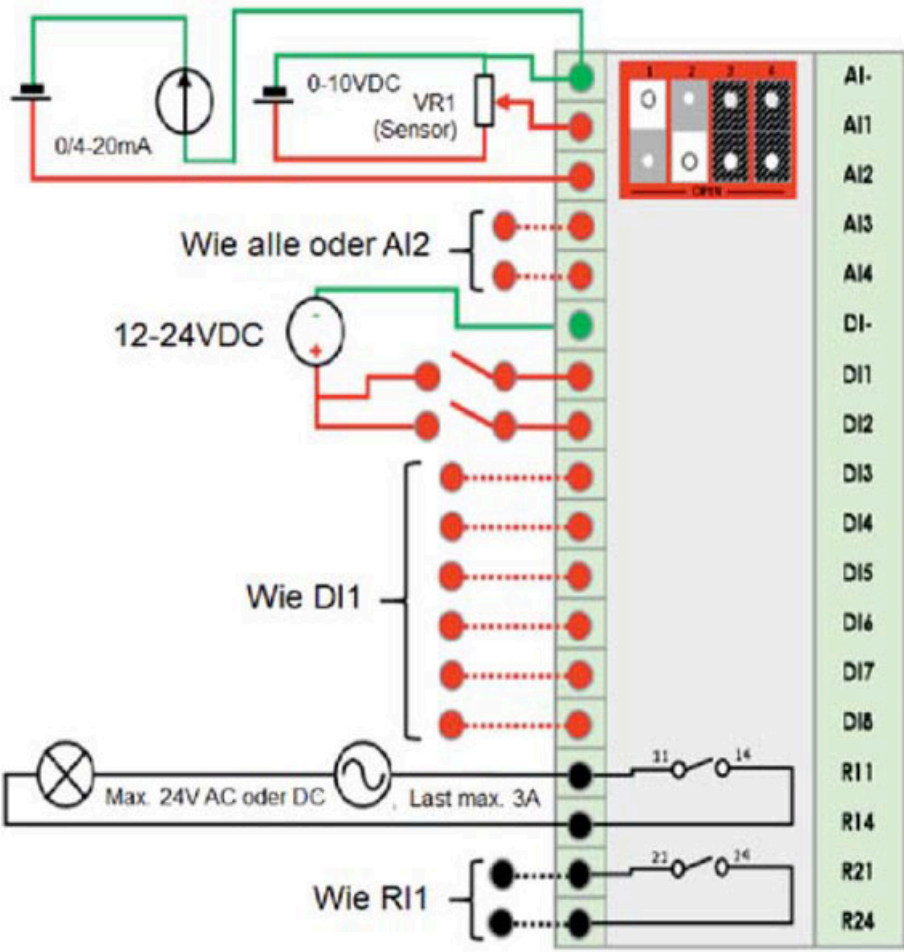
Interfaces:	8x digital input (24 VDC) 4x analog input (0 to 10VDC or 0/4 to 20 mA) 2x relay output (normally open contact)
Details of digital inputs:	24 VDC (max. 33 VDC) with common reference ground State 1 corresponds to 10 to 30 VDC State 0 corresponds to 0 to 5 VDC Isolated ground (DGND) 1.5 kV No isolation between the inputs
Details analog inputs:	0 to 10 VDC with common reference ground 0/4-20 mA with common reference ground 16 bit resolution 4 measured values per second 0.4 % max. deviation from final value Insulation voltage 1.5 kV
Details Relay outputs:	Relay type Single Pole, Single Throw (SPST) Max. 24 V as normally open contact (NO) Max. 3 A current carrying capacity Insulation voltage 1.5 kV
Weight:	< 300 g
Operating temperature:	-25 °C to +60 °C
Storage:	-40 °C to +70 °C
Relative humidity:	10 % to 95 %, non-condensing
Protection class:	IP20
Manufacturer:	HMS Industrial Networks AB

### Products Order no.

FLX3402	Digital and analog I/O expansion card
---------	---------------------------------------

Drawings

Connection diagram



Anschlußschema



Wachendorff Prozesstechnik GmbH & Co. KG  
Industriestrasse 7 • 65366 Geisenheim  
Germany

Phone: +49 (0) 67 22 / 99 65 - 20  
E-Mail: [wp@wachendorff.de](mailto:wp@wachendorff.de)  
[www.wachendorff-prozesstechnik.de](http://www.wachendorff-prozesstechnik.de)

