

Mobile radio antenna WEW40902H



- Suitable for LTE
- Gain 1-3 dBi (depending on frequency range)
- Wall or mast mounting
- 5m connection cable with SMA plug

<https://www.wachendorff-prozesstechnik.de/en/WEW40902H>

Description

Mobile radio rod antenna with connection cable for mobile radio modems and routers.

The antenna can be mounted either on the wall or on a mast.
The gain is 1-3 dBi.

Product details

Interfaces:	1x SMA plug
Cable length:	5 meters
Frequency ranges:	790 to 862 MHz 1710 to 2180 MHz 2300 to 2700 MHz
Antenna gain:	1 / 3 / 3 dBi
Impedance:	50 Ohm
Art:	Omnidirectional antenna
Weight:	approx. 89g
Dimensions:	H x W: 240 mm x Ø 22.1 mm
Material:	Mounting bracket: Aluminum alloy
Ambient temperature:	Operation: -30 °C to +80 °C Storage: -30 °C to +80 °C
Assembly:	Wall or pole mounting

Products Order no.

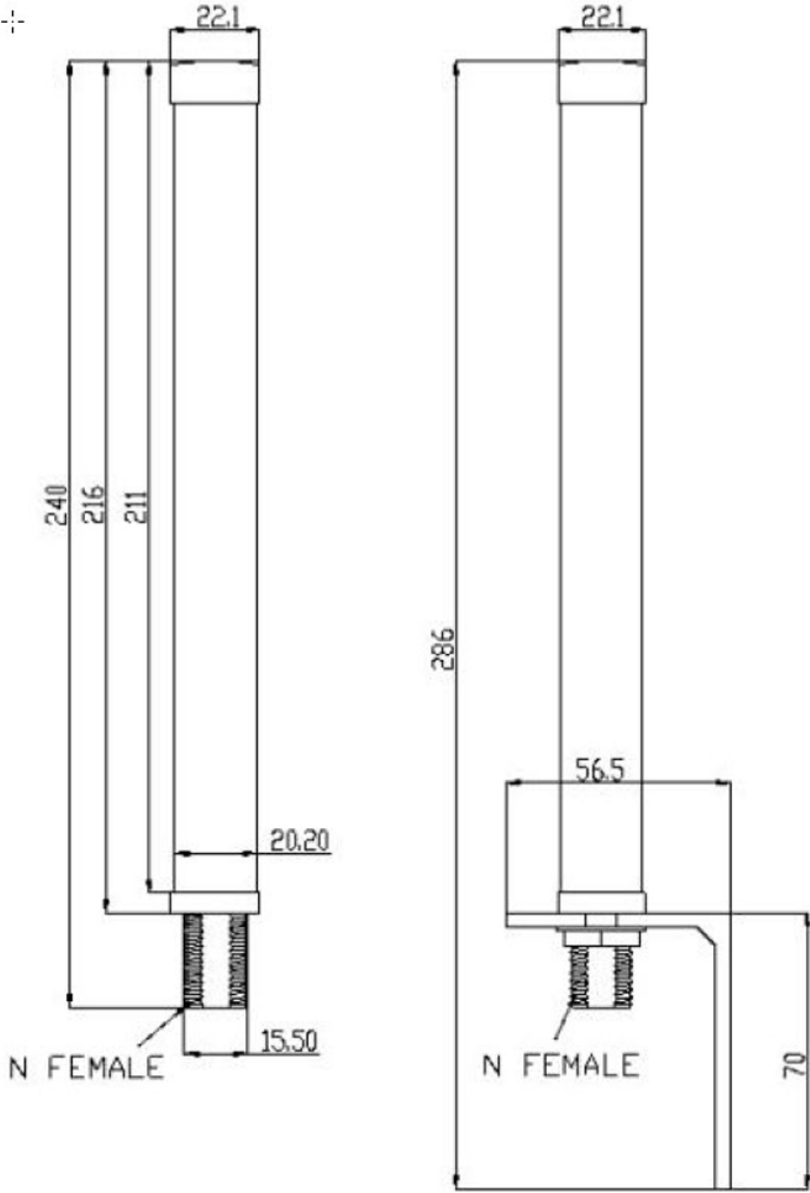
WEW40902H	Omnidirectional mobile radio antenna for GSM, 2G/GPRS, 3G/UMTS/HSPA, 4G/LTE with 5 m connection cable
-----------	---

Accessories Order no.

ECCAIRC01	Extension cable mobile phone antenna 1 meter
ECCAIRC03	Extension cable for mobile phone antenna 3 meters
ECCAIRC05	Mobile phone antenna extension cable 5 meters

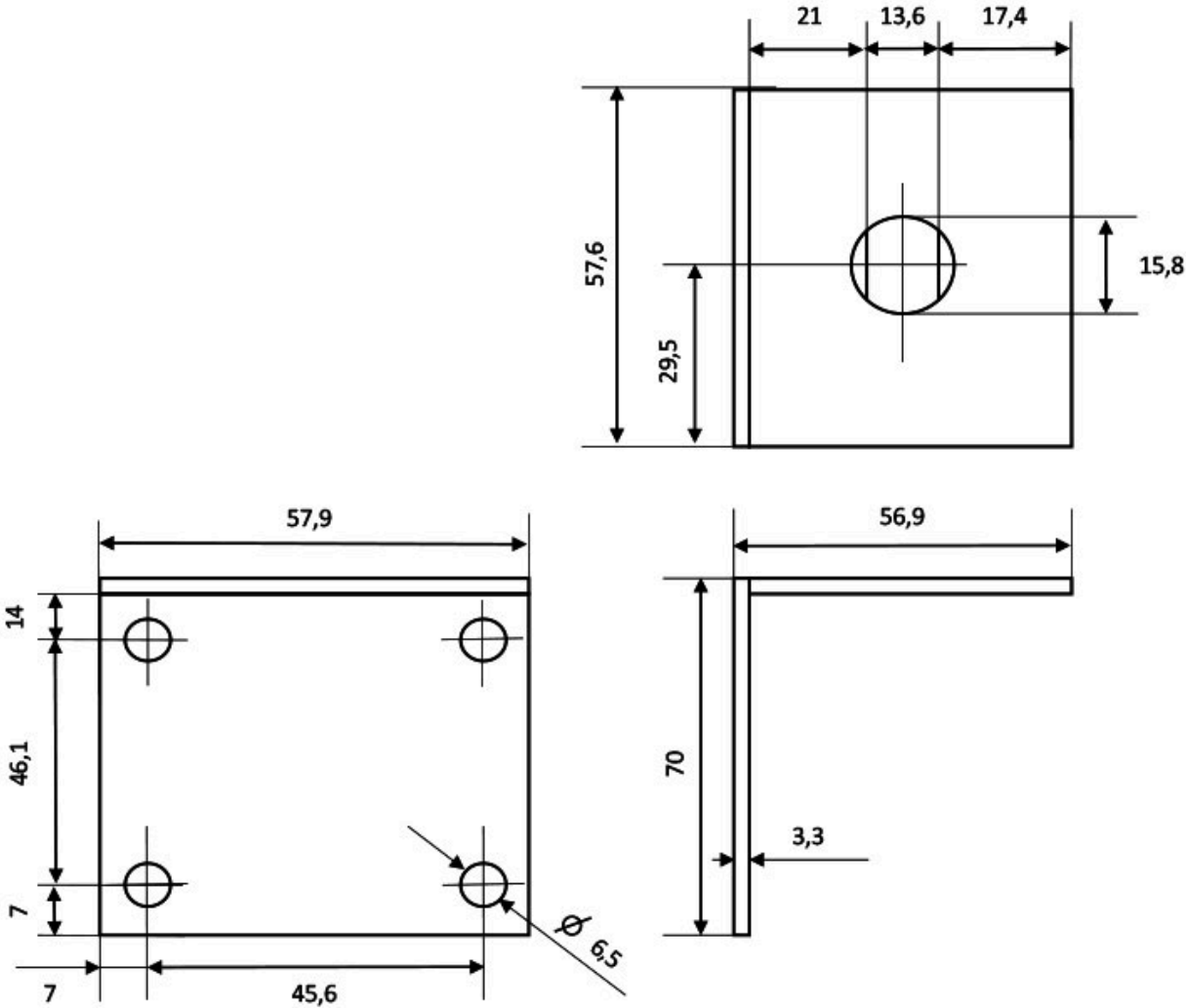
Drawings

Antenna dimensions



Drawings

Mounting bracket dimensions





Wachendorff Prozesstechnik GmbH & Co. KG
Industriestrasse 7 • 65366 Geisenheim
Germany

Phone: +49 (0) 67 22 / 99 65 - 20
E-Mail: wp@wachendorff.de
www.wachendorff-prozesstechnik.de

