

Mobile radio antenna WEW40902G



- Suitable for LTE
- Gain 7-10 dBi (depending on frequency range)
- 5m connection cable with SMA plug
- Pole or wall mounting

<https://www.wachendorff-prozesstechnik.de/en/WEW40902G>

Description

Directional mobile radio antenna with connection cable for modems and VPN routers.

High gain due to direct alignment to mobile radio transmitters (7-10 dBi). Optional wall mounting or pole mounting possible.

Product details

Interfaces:	1x SMA plug
Cable length:	5 meters
Frequency ranges:	790 to 960 MHz 1710 to 2170 MHz 2300 to 2700 MHz
Antenna gain:	7 / 10 / 8 dBi
Impedance:	50 Ohm
Art:	Directional antenna
Weight:	approx. 800g
Dimensions:	DxHxW: 60.3 mm x 197.5 mm x 197.5 mm
Ambient temperature:	Operation: -30 °C to +60 °C Storage: -30 °C to +60 °C

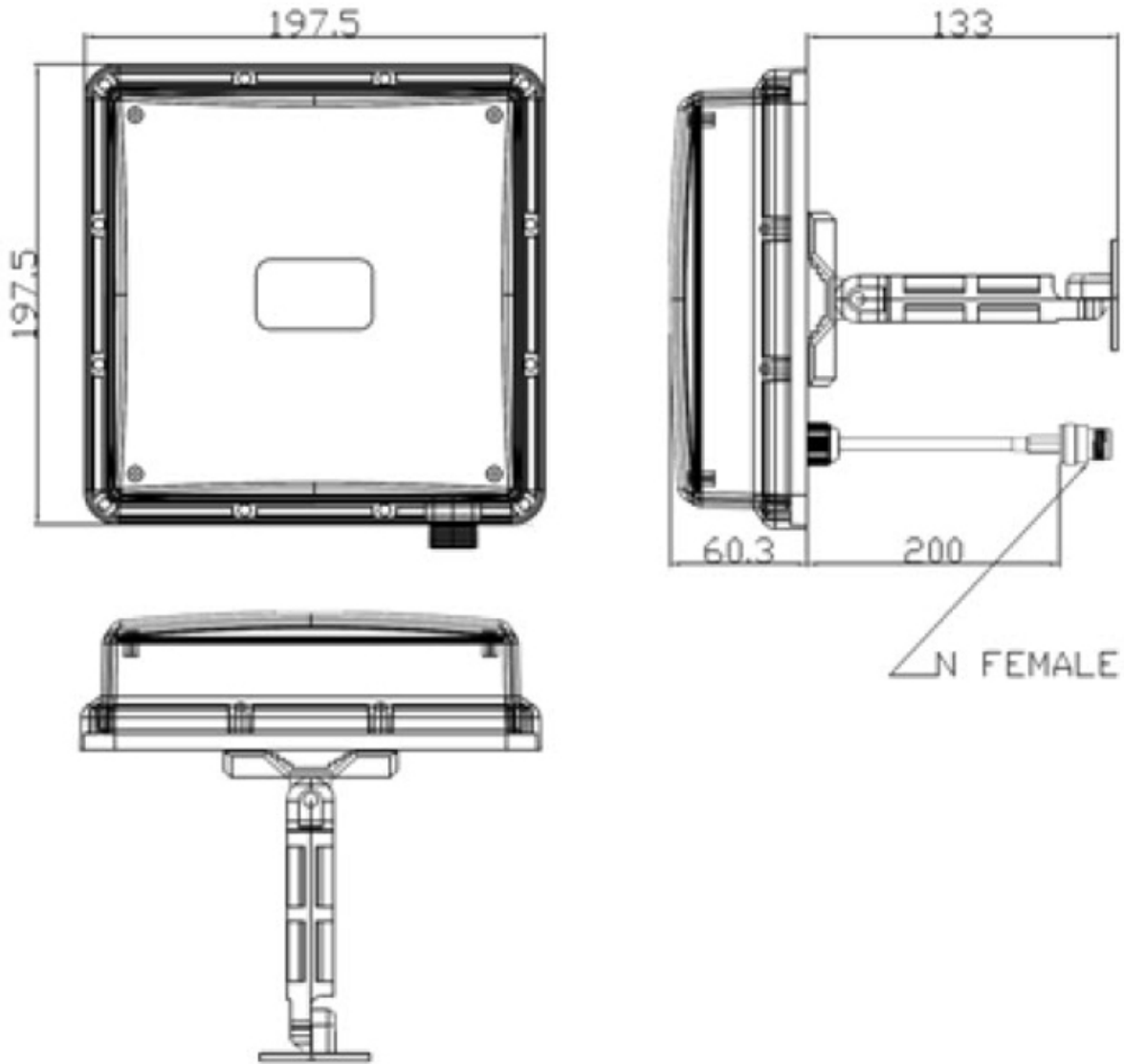
Products Order no.

WEW40902G	Directional radio antenna for GSM, 2G/GPRS, 3G/UMTS/HSPA, 4G/LTE screwable with 5 m cable
-----------	---

Accessories Order no.

ECCAIRC01	Extension cable mobile phone antenna 1 meter
ECCAIRC03	Extension cable for mobile phone antenna 3 meters
ECCAIRC05	Mobile phone antenna extension cable 5 meters

Drawings
Dimensions





Wachendorff Prozesstechnik GmbH & Co. KG
Industriestrasse 7 • 65366 Geisenheim
Germany

Phone: +49 (0) 67 22 / 99 65 - 20
E-Mail: wp@wachendorff.de
www.wachendorff-prozesstechnik.de

