

## Mobile radio antenna WEW40902F



- External omnidirectional mobile radio antenna
- Compact, space-saving design
- Mounting in 20.5 mm hole in the control cabinet or with mounting bracket
- 5 m connection cable with SMA plug
- Gain 3-4 dBi (depending on frequency range)
- Optional mounting bracket (available separately)

<https://www.wachendorff-prozesstechnik.de/en/WEW40902F>

### Description

Omnidirectional mobile radio antenna with connection cable for mobile radio modems and routers. Space-saving and compact design. The antenna can either be screwed directly into a 20.5 mm hole in the control cabinet or mounted using the optional mounting bracket. The gain is 3-4 dBi.

### Product details

Interfaces:	1x SMA plug
Cable length:	5 meters
Frequency ranges:	806 to 960 MHz 1710 to 2500 MHz
Antenna gain:	3 dBi (at 806 to 960 MHz) 4 dBi (at 1710 to 2500 MHz)
Impedance:	50 Ohm
Art:	Omnidirectional antenna
Weight:	< 300 g
Dimensions:	H x W: 46 mm x Ø 38mm
Protection class:	IP66
Ambient temperature:	Operation: -40 °C to +70 °C Storage: -40 °C to +70 °C
Assembly:	The antenna is mounted on a base plate. To do this, it is necessary to feed the base unit of the antenna with cable from the underside of the plate (max. thickness 1.6 mm) through a 20.5 mm hole. Screw on the brass reducing ring with the O-ring from above and tighten. Then screw on the antenna including the rubber seal.

ECCAIRC05

Mobile phone antenna extension cable  
5 meters

### Products Order no.

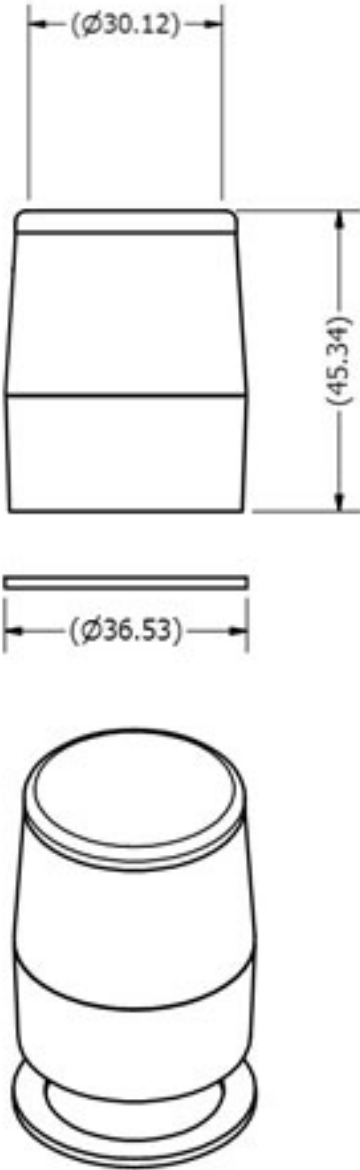
WEW40902F	Omnidirectional mobile radio antenna GSM, 2G/GPRS, 3G/UMTS/HSPA with 5 m connection cable
-----------	-------------------------------------------------------------------------------------------------

### Accessories Order no.

WEW40902W	Mounting bracket for WEW40902F
ECCAIRC01	Extension cable mobile phone antenna 1 meter
ECCAIRC03	Extension cable for mobile phone antenna 3 meters

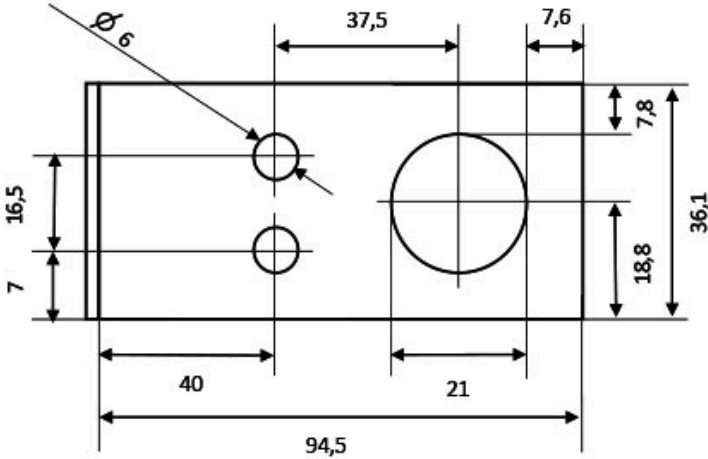
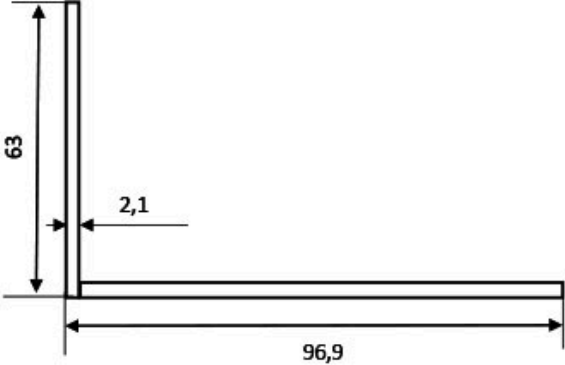
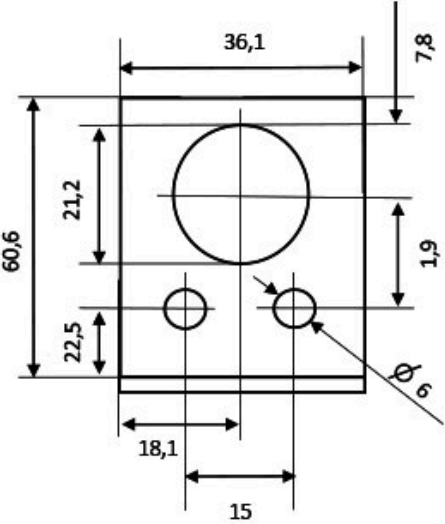
Drawings

Antenna dimensions



Drawings

Mounting bracket dimensions





Wachendorff Prozesstechnik GmbH & Co. KG  
Industriestrasse 7 • 65366 Geisenheim  
Germany

Phone: +49 (0) 67 22 / 99 65 - 20  
E-Mail: [wp@wachendorff.de](mailto:wp@wachendorff.de)  
[www.wachendorff-prozesstechnik.de](http://www.wachendorff-prozesstechnik.de)

