

## Mobile radio antenna WEW40902K



- External omnidirectional mobile radio antenna
- Compact, space-saving design
- Installation in 16.1 mm hole in the control cabinet
- 5 m connection cable with SMA plug
- Gain 2-3 dBi (depending on frequency range)

<https://www.wachendorff-prozesstechnik.de/en/wew40902k>

### Description

Omnidirectional mobile radio antenna with connection cable for mobile radio modems and routers. Space-saving and compact design. The antenna can either be screwed directly into a 16.1 mm hole in the control cabinet. The gain is 2-3 dBi.

### Product details

Interfaces:	1x SMA plug
Cable length:	5 meters RG58
Frequency ranges:	698 to 960 MHz 1710 to 2700 MHz
Antenna gain:	2 dBi (at 698 to 960 MHz) 3 dBi (at 1710 to 2700 MHz)
Impedance:	50 Ohm
Art:	Omnidirectional antenna
Weight:	< 300 g
Dimensions:	H x W: 70.8 mm x Ø 33mm
Protection class:	IP67
Ambient temperature:	Operation: -40 °C to +70 °C Storage: -40 °C to +70 °C
Assembly:	It is mounted in a 16.1 mm hole and fixed in place using the nut supplied. The enclosed sealing ring enables an IP67 protection class

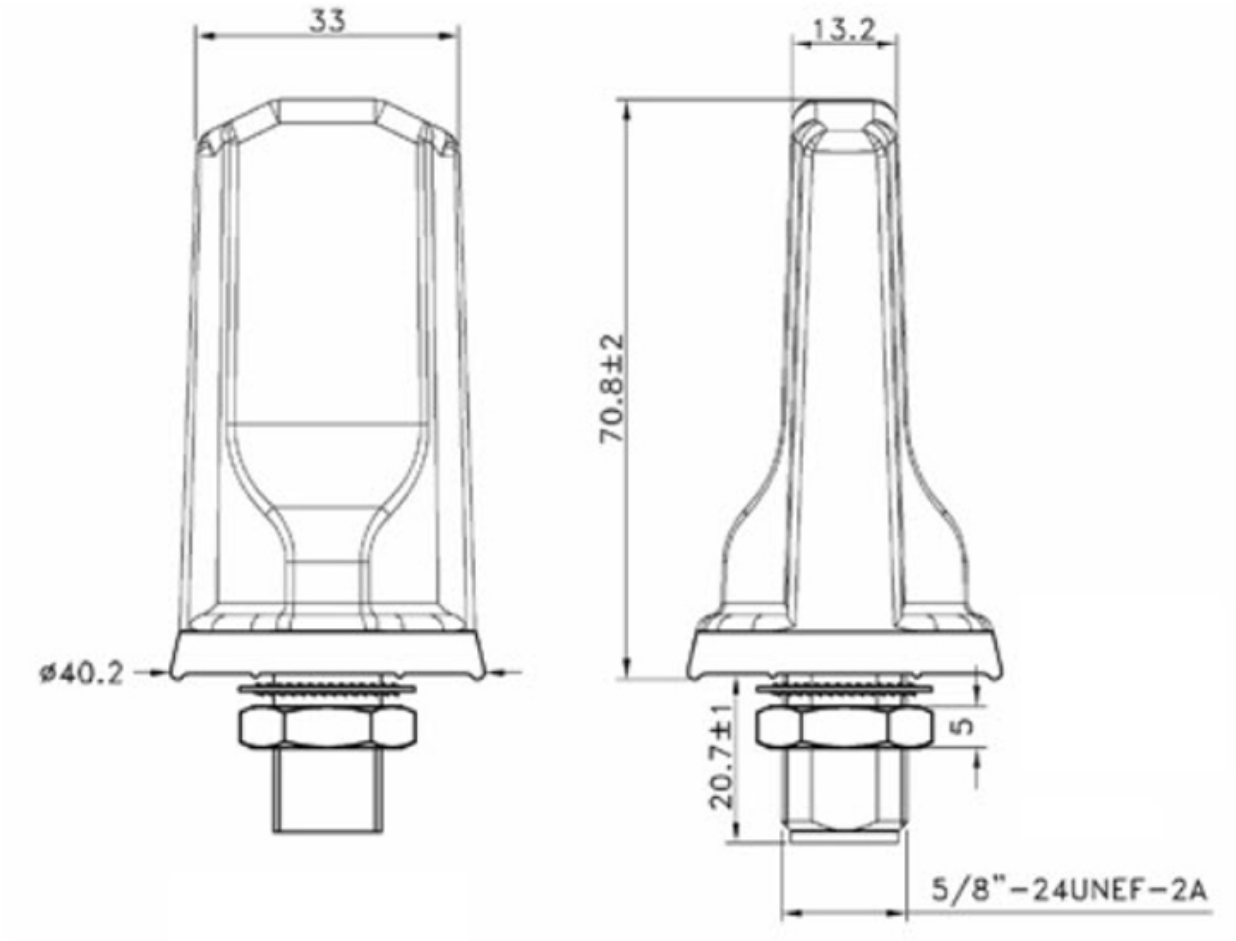
### Products Order no.

WEW40902K	Omnidirectional mobile radio antenna GSM, 2G/GPRS, 3G/UMTS/HSPA, 4G/LTE with 5 m connection cable
-----------	--

### Accessories Order no.

ECCAIRC01	Extension cable mobile phone antenna 1 meter
ECCAIRC03	Extension cable for mobile phone antenna 3 meters
ECCAIRC05	Mobile phone antenna extension cable 5 meters

Drawings  
Dimensions





Wachendorff Prozesstechnik GmbH & Co. KG  
Industriestrasse 7 • 65366 Geisenheim  
Germany

Phone: +49 (0) 67 22 / 99 65 - 20  
E-Mail: [wp@wachendorff.de](mailto:wp@wachendorff.de)  
[www.wachendorff-prozesstechnik.de](http://www.wachendorff-prozesstechnik.de)

