

10.1" industrial display ViTAM-110G Stainless steel housing



- 10.1" TFT LCD, 1280 x 800 pixels
- without touch function
- IP66/IP69K stainless steel housing
- flush-mounted design
- Fanless cooling system
- Reading angle horizontal 170°, vertical 170°

<https://www.wachendorff-prozesstechnik.de/en/ViTAM-110G>

Description

The ViTAM series offers extremely robust industrial displays in a flush-mounted stainless steel housing with IP66/IP69K certification. The industrial touch displays in this series are available in display sizes from 10.1" to 23.8", with either projected capacitive or resistive touch. The series is supplemented by displays without touch functionality. The projected capacitive touch enables multi-touch operation. If pressure-sensitive operation is required (e.g. with gloves), the resistive touch is the right choice. The front panels are absolutely flush with the stainless steel housing (type 304, optionally 316). The robust housing is designed in IP66/IP69K with M12 connection options. The unique fanless design enables effective temperature control and use in the food sector or laboratories. The touch displays of the ViTAM series can optionally be equipped with a high-brightness display and optical bonding for an outstanding display, even under difficult conditions.

Product details

Power supply:	9 VDC to 36 VDC
Power consumption:	max. 6 W max. 11 W (optional high-brightness LCD)
Display:	10.1" TFT LCD
Resolution:	1280 x 800 pixels
Aspect ratio:	16:10
Brightness:	350 cd/m ² 1,000 cd/m ² (optional high-brightness LCD)
Colors:	16.7 million
Reading angle:	H: 170° / V: 170°
Touch screen:	without touch function
Interfaces:	VGA: 1 x M12 12-pin with waterproof cover HDMI: 1x with waterproof cover OSD: Control membrane (rear) Power supply: 1 x M12 3-pin with waterproof cover
Housing:	Stainless steel (type 304, optionally 316)
Assembly:	VESA 75 x 75; yoke mount (swivel fork mount)
Protection class:	IP66/IP69K
Dimensions (WxHxD):	300 mm x 220 mm x 53 mm
Weight:	approx. 3.6 kg

Ambient conditions:	Operation: 0 °C to +50 °C Storage: -30 °C to +70 °C 10 % to 90 % r.H at 40 °C, non-condensing
Certifications:	CE/FCC Class A
Scope of delivery:	Device 1 x M12 power supply unit 1 x M12 to VGA cable, 2 m
Customs tariff number:	85285210
Manufacturer:	Aplex Technology Inc.
Options:	Extended temperature range -20 °C to +60 °C IP65 water resistant power supply (24 VDC / 90-305 VAC) Optical bonding High-brightness LCD (1000 cd/m ²) Stainless steel (type 316) 2 W loudspeaker (IP65) Auto-dimming function HDMI cable, 2 m

Products Order no.

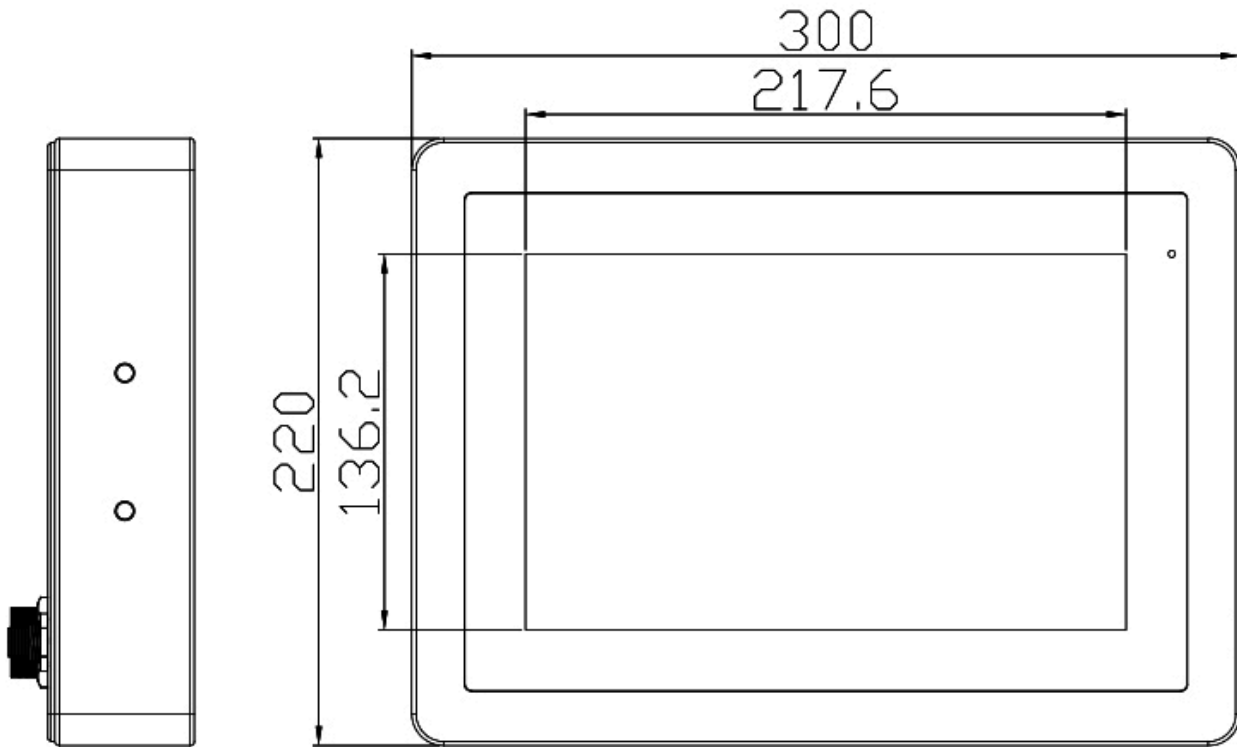
ViTAM-110G	10.1" industrial display, stainless steel, without touch function
------------	---

Accessories Order no.

PPC-D-103	VESA stand stainless steel (type 304) 75 x 75 / 100 x 100
PPC-W-101	VESA wall bracket stainless steel (type 304) 75 x 75 / 100 x 100
PPC-W-101S	VESA wall bracket stainless steel (type 316) 75 x 75 / 100 x 100
PPC-Y-100	Stainless steel U-shaped monitor holder for ViTAM IPC and displays

Drawings

Dimensions (mm) 01:

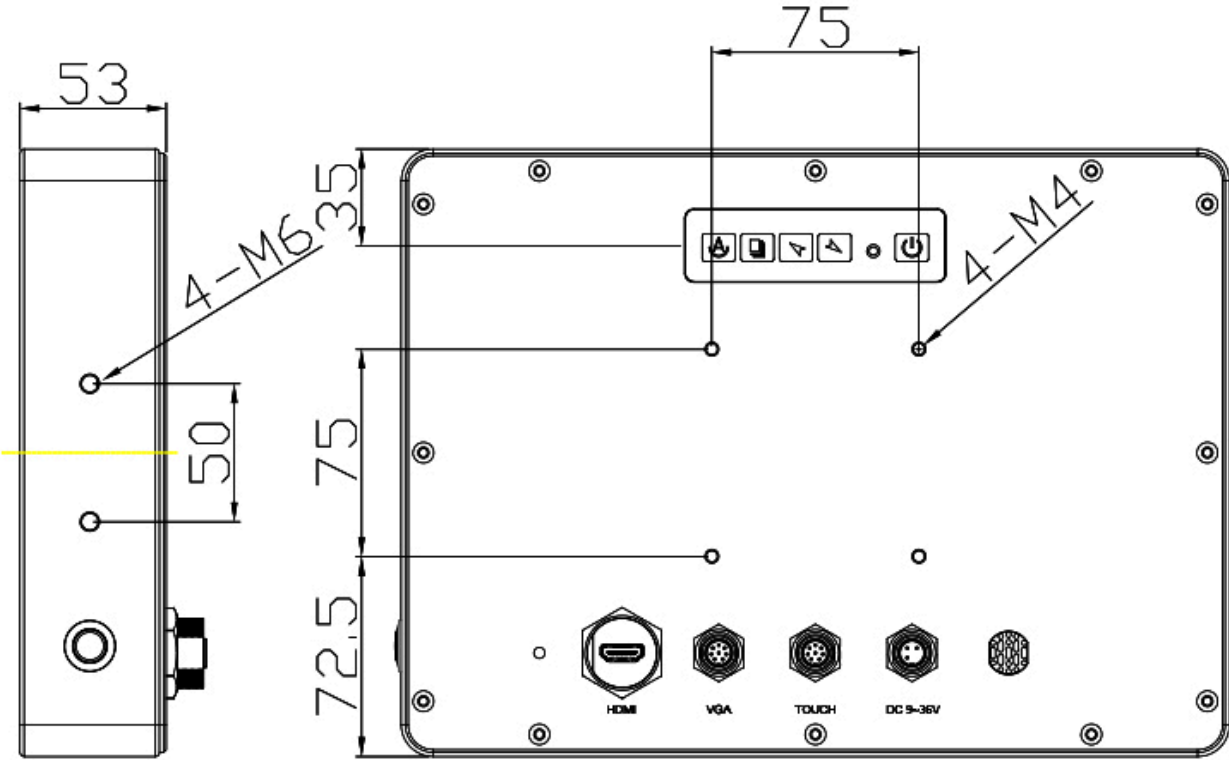


UNIT: mm

Tolerance: ± 0.5

Drawings

Dimensions (mm) 02 and STL file/viewer:



UNIT: mm
Tolerance: ±0.5

Drawings

HDMI cable

Conn.1
Waterproof Rate:IP67

② Screw Nut
③ Gasket
④ Inner Mold
⑤ Outer Mold
Color: Black

① Semi-Finished

Conn.2
non-waterproof

Pin1, Pin19, Pin2, Pin18

Conn.1 & Conn.2
Pin Assignments
Plug Front View

Note:
* Ⓢ Important Dimension To Check.
* Plug: 19Pin HDMI Type A
* Connector: Nylon+GF ,Black
* Screw Nut: Nylon+GF ,Black
* Gasket: EPDM, Black
* Cable: UL20276 (26#*1P+D+AL+MYLAR)*4C+26#*1P+26#*5C+AL+B(95%), PVC Jacket(UV Resistant), OD=8.5mm, Black

UNIT:mm	TOLERANCE	SCALE	Free	SHEET	1	OF	2
±0.5 mm		REV. A	SIZE A4	:Inspection Item			

ITEM NO	DRAWN BY	DATE
DWG NO	CHECKED BY	DATE
CUSTOMER	APPROVED BY	DATE

Shell	Braid	Shell	
19	Purple	19	3
18	Red	18	3
17	White	17	3
16	Orange	16	2
15	Yellow	15	
14	Gray	14	3
13	Pink	13	3
12	Brown	12	
11	Drain	11	1
10	White	10	
9	Blue	9	
8	Drain	8	1
7	White	7	
6	Green	6	
5	Drain	5	1
4	White	4	
3	Red	3	
2	Drain	2	1
1	White	1	

Conn.1	Wire Color	Conn.2	Wire Type	Type 1	1P+D+AL
				Type 3	1C
				Type 2	1P

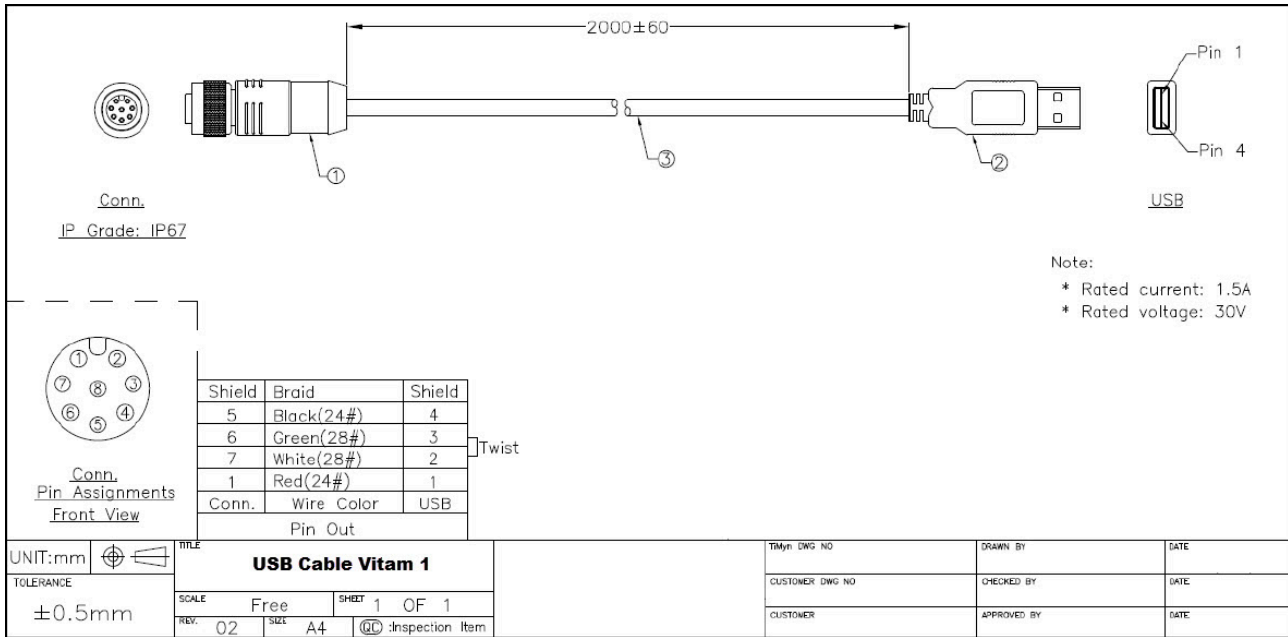
UNIT:mm	TOLERANCE	SCALE	Free	SHEET	2	OF	2
±0.5 mm		REV. A	SIZE A4	:Inspection Item			

ITEM NO	DRAWN BY	DATE
DWG NO	CHECKED BY	DATE
CUSTOMER	APPROVED BY	DATE

(may not be included in the scope of delivery)

Drawings

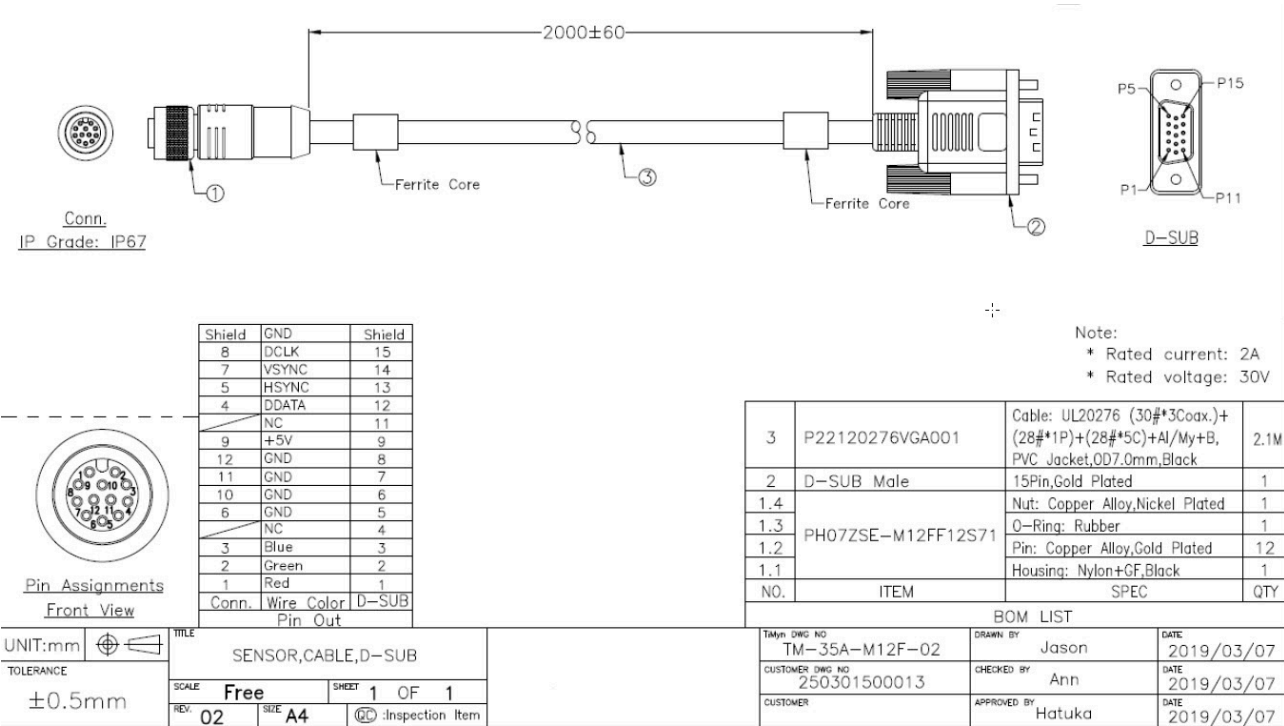
USB cable



(may not be included in the scope of delivery)

Drawings

VGA cable



(may not be included in the scope of delivery)



Wachendorff Prozesstechnik GmbH & Co. KG
Industriestrasse 7 • 65366 Geisenheim
Germany

Phone: +49 (0) 67 22 / 99 65 - 20
E-Mail: wp@wachendorff.de
www.wachendorff-prozesstechnik.de

