

15 inch Panel PC ViTAM-915DR Stainless steel housing



- 15" TFT LCD, 1,024 x 768 pixels
- Resistive touch
- Processor: Intel® Core™ i3-1215U (1.2 GHz) / i5-1235U (1.3 GHz)
- IP66/IP69K stainless steel housing with M12 connections
- Flush frame design
- Fanless cooling system
- Reading angle horizontal 176°, vertical 176°

<https://www.wachendorff-prozesstechnik.de/en/ViTAM-915DR>

Description

The ViTAM-9D series is based on an Intel® Core™-i processor of the 12th or 13th generation.

This very powerful and efficient processor family provides sufficient computing power for medium and large applications. The RAM can be expanded to up to 64 GB, enabling more extensive projects such as SCADA or IIoT monitor control applications. The industrial panel PCs in this series are available in display sizes ranging from 15" to 21.5" and are available with either a projected capacitive or resistive touchscreen. The projected capacitive touch enables multi-touch operation with a corresponding operating system. If pressure-sensitive operation is required (e.g. with gloves), the resistive touch is the right choice. The front panels are absolutely flush with the stainless steel housing (type 304). The housing is designed in IP69K (incl. IP66) with M12 connection options. An on/off button is also integrated on the side of the Panel PC. The unique fanless thermal design of the robust stainless steel housing enables effective temperature control. The ViTAM IPC can be optionally equipped with a high-brightness LCD and/or optical bonding for an outstanding display, even under the most difficult conditions. In addition, expansion cards for further interfaces or RFID can be integrated.

Product details

Power supply:	9 VDC to 36 VDC
Power consumption:	64,73 W
Display:	15" TFT LCD
Resolution:	1,024 x 768 pixels
Aspect ratio:	4:3
Brightness:	300 cd/m ² 1000 cd/m ² (optional high-brightness LCD)
Backlight:	50,000 h running time
Colors:	16,7 M
Contrast:	1000:1
Reading angle:	H: 176° / V: 176°
Touch screen:	resistive touch
Processor:	Intel® Core™ i3-1215U (1.2 GHz) Intel® Core™ i5-1235U (1.3 GHz)
RAM:	2 x 260-pin SO-DIMM up to 64GB DDR4 3200MHz
SSD/HDD:	1 x M.2 M-Key 2280 (PCIex4)

Interfaces:	USB: 1 x M12 8-pin for USB 2.0 with waterproof termination Serial: 1 x M12 8-pin for COM 1 (RS-232/-422/485, standard RS-232) with waterproof termination Ethernet: 1 x M12 A-code, 8-pin, socket (female) for Gigabit Ethernet with waterproof termination Other: 1 x touch on/off button (on the side) Power supply: 1 x M12 3-pin for DC with waterproof termination, 1 x On/Off button (rear)
Expansion slots:	1 x M.2 3402/3052 B-Key (PCIe x1, USB 3.2 Gen1) for optional LTE/5G module 1 x M.2 2230 E-Key (USB 2.0, PCIe x1) for optional Wi-Fi/Bluetooth module 1 x nano SIM card slot 1 x RFID (front side, on request)
Housing:	Stainless steel (type 304, optionally 316)
Assembly:	VESA 75 x 75; yoke mount (swivel fork mount)
Protection class:	IP66/IP69K
Weight:	6.9 kg
Dimensions (WxHxD):	399 x 324 x 53 mm
Ambient conditions:	Operation: 0 °C to +50 °C Storage: -30 °C to +70 °C 10 to 95 % @ 40°C r.h., non-condensing.
Certifications:	CE/FCC Class A
Operating systems:	Windows 10 Windows 11
Options:	2 x optional M12 connectors with waterproof cover, which can be used to select two of the following interfaces: 2 x USB 2.0 1 x USB 3.0 1 x LAN (Ethernet) 1 x COM (serial port) Operation: -20 °C to +60 °C
Scope of delivery:	Device 1 x M12 power supply unit 1 x M12 USB cable (1x M12 to 2x USB 2.0)

Customs tariff number:	84715000
Manufacturer:	Aplex Technology Inc.

Products Order no.

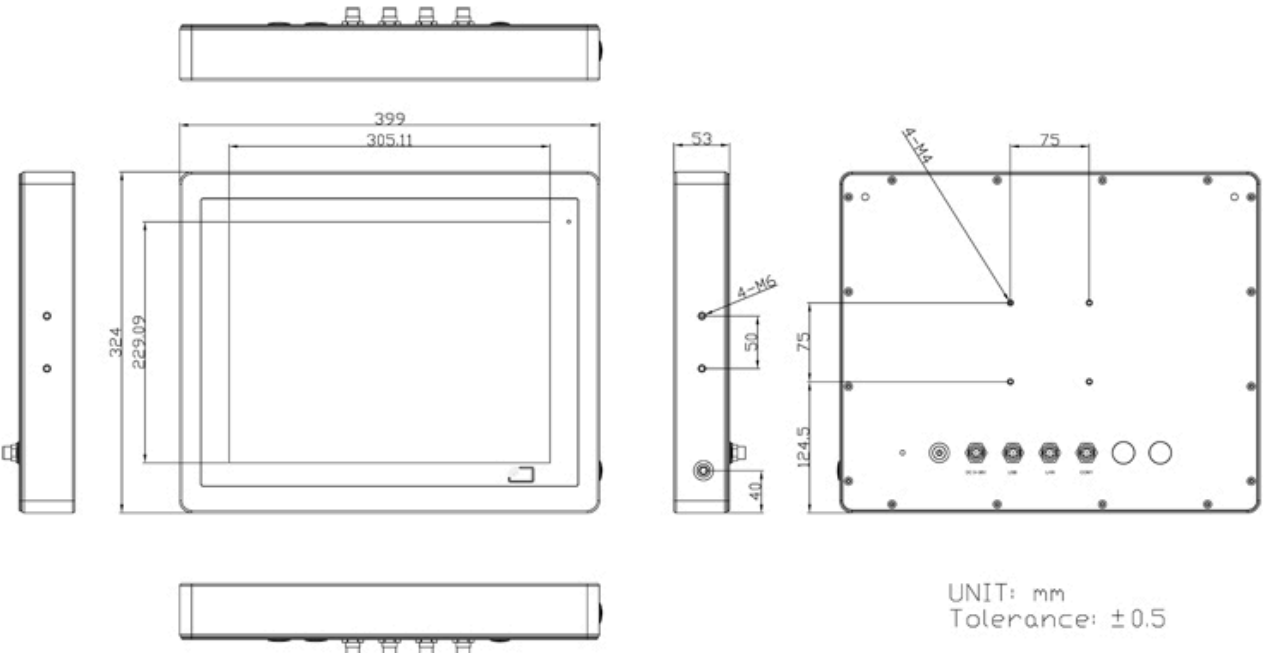
ViTAM-915DR	15" industrial panel PC, stainless steel housing, resistive touch
-------------	---

Accessories Order no.

PPC-D-103	VESA stand stainless steel (type 304) 75 x 75 / 100 x 100
PPC-W-101	VESA wall bracket stainless steel (type 304) 75 x 75 / 100 x 100
PPC-W-101S	VESA wall bracket stainless steel (type 316) 75 x 75 / 100 x 100
PPC-Y-115	Stainless steel U-shaped monitor holder for ViTAM IPC and displays
PPC-Y-115S	Stainless steel U-shaped monitor holder for ViTAM IPC and displays
ETHSWG5C	5-way Ethernet switch, unmanaged
KABM12ETH3	M12-A to RJ45, shielded, L=3m
KABM12ETH5	M12-A to RJ45, shielded, L=5m
KABM12ETH10	M12-A to RJ45, shielded, L=10m

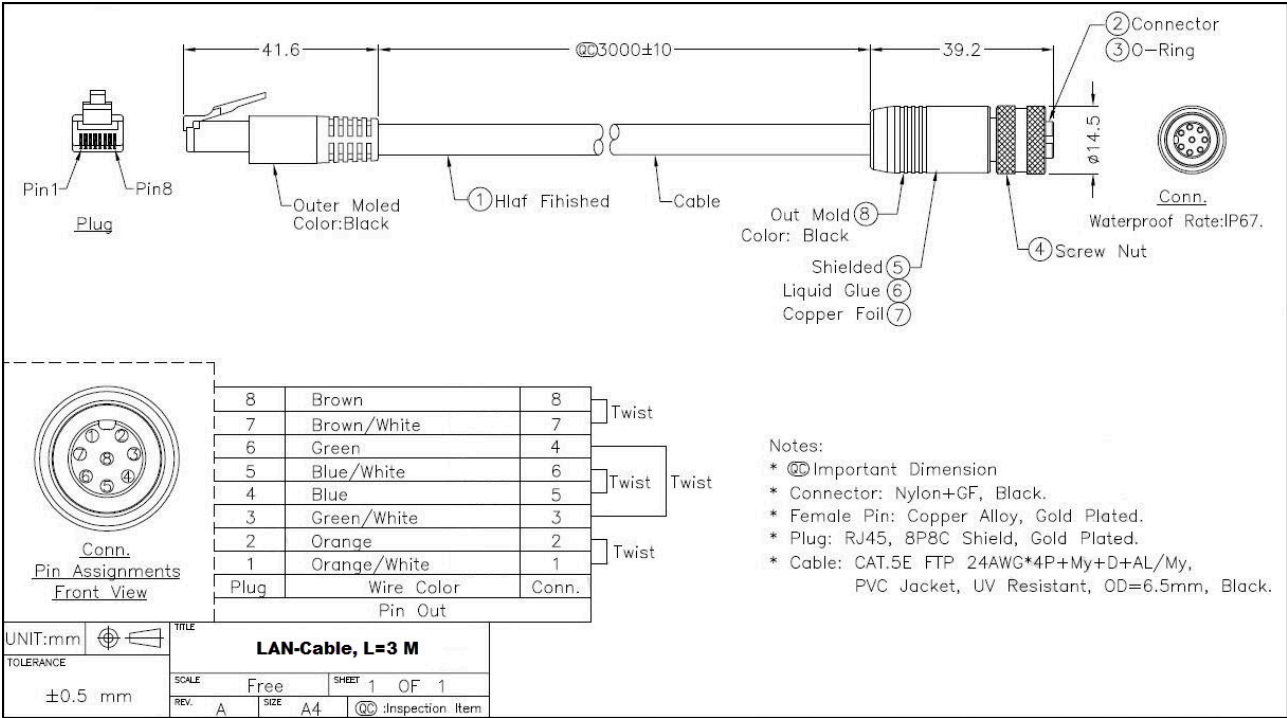
Drawings

Dimensions (mm):



Drawings

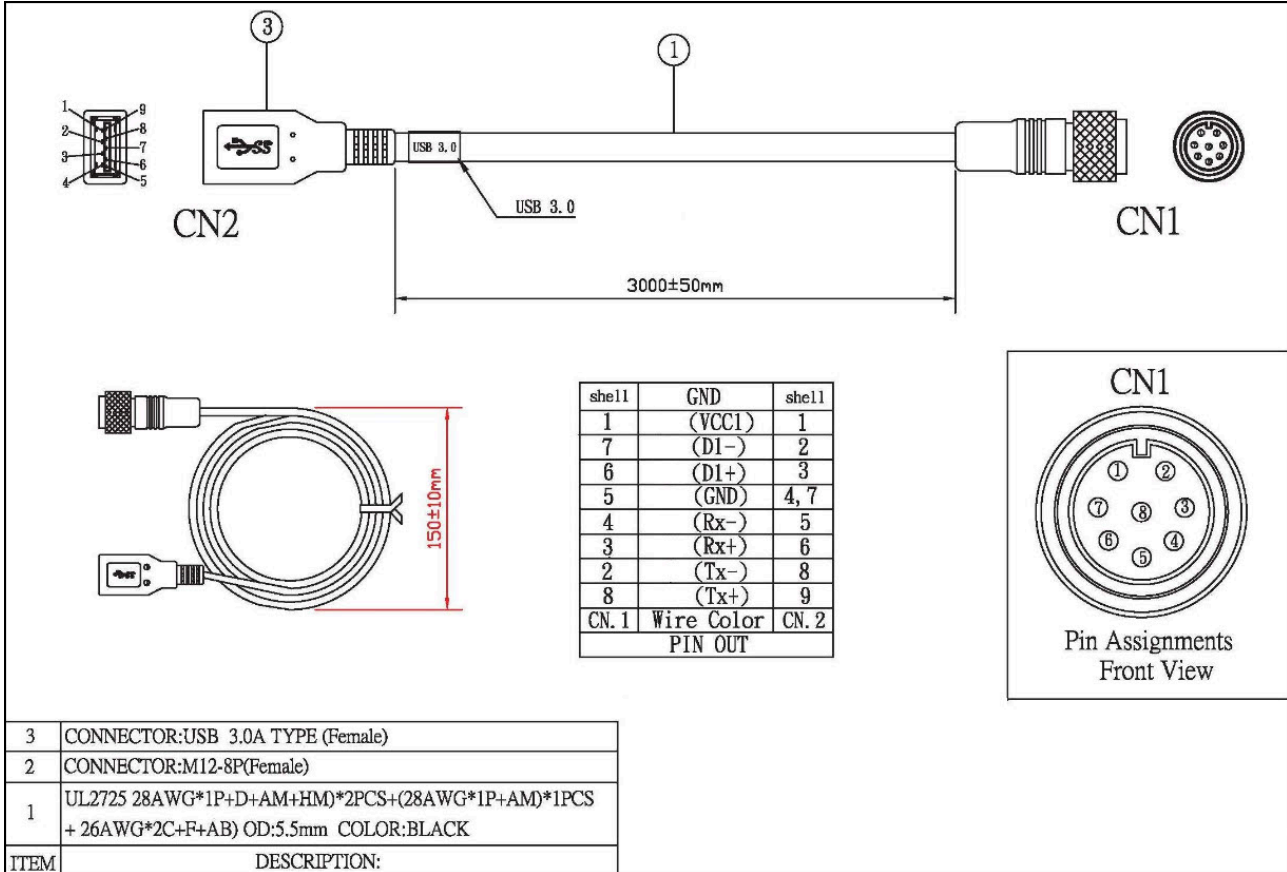
LAN cable



(may not be included in the scope of delivery)

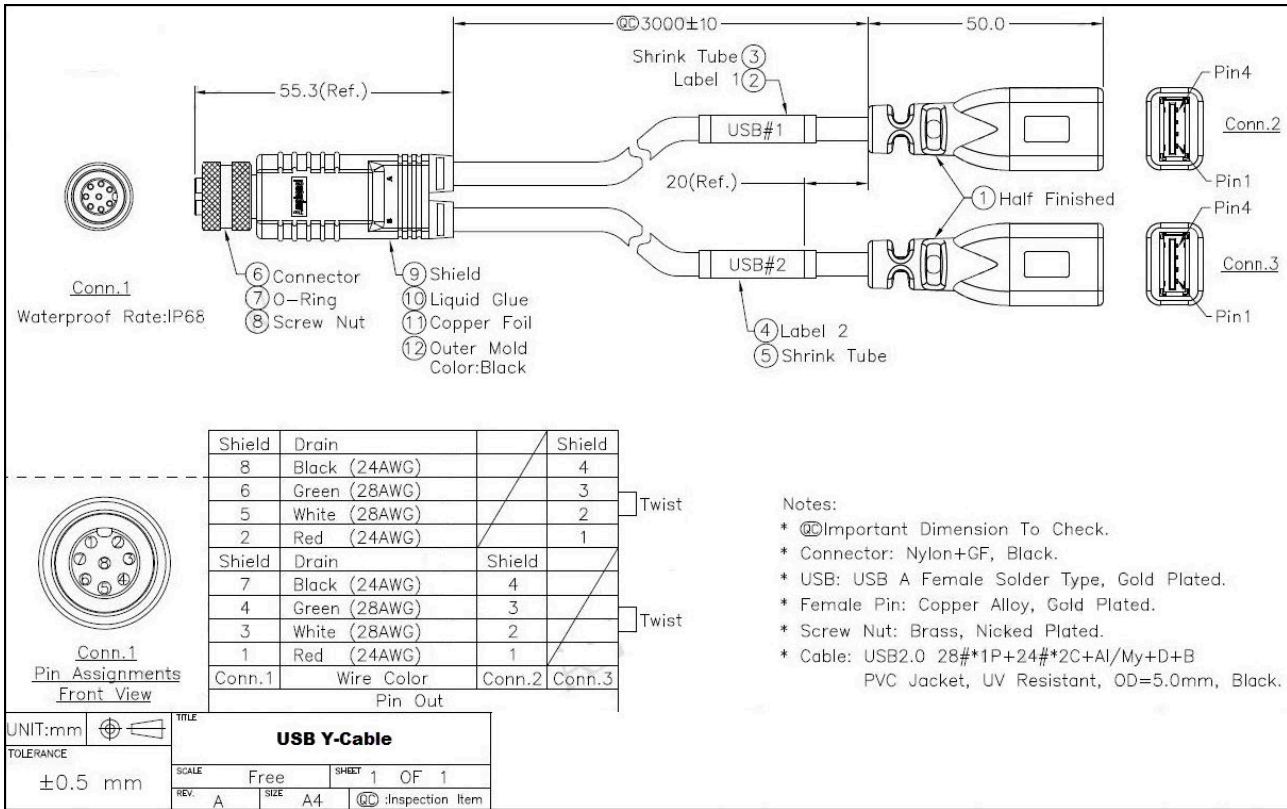
Drawings

USB 3.0 cable



(may not be included in the scope of delivery)

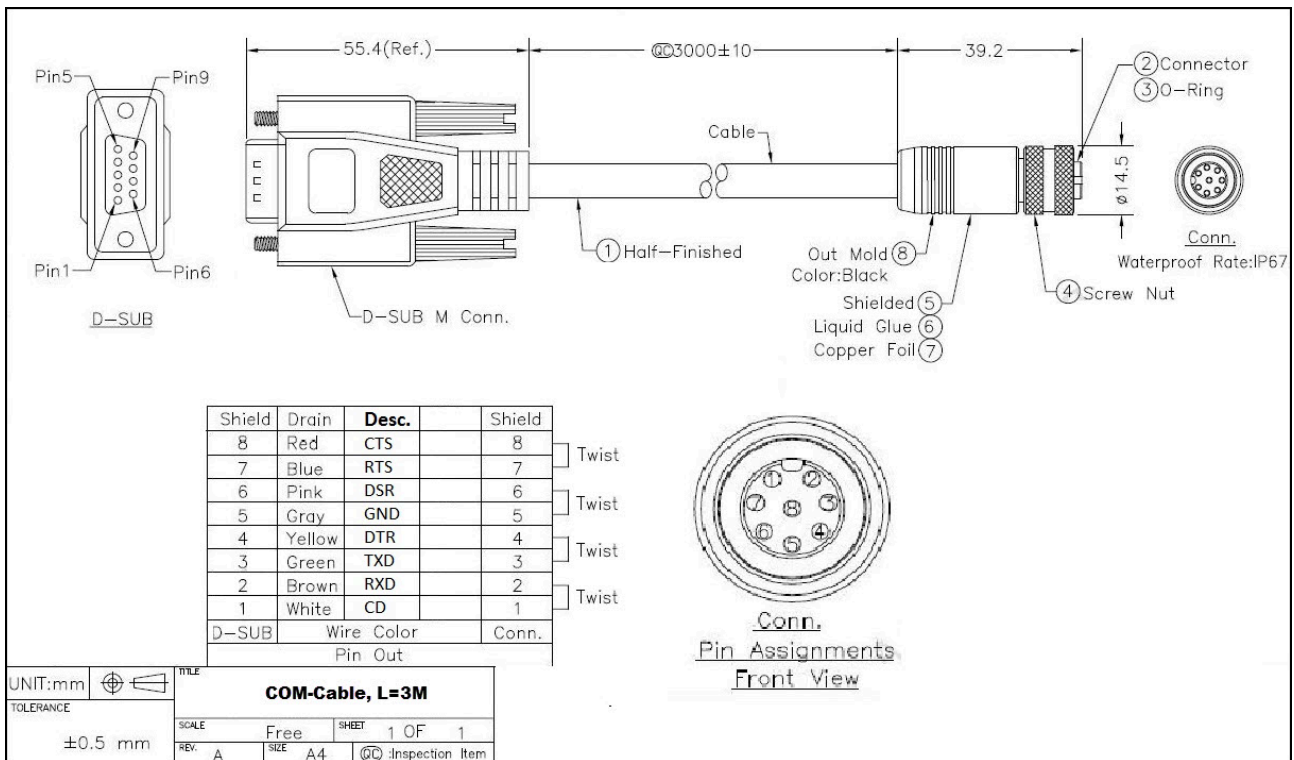
Drawings
USB Y-cable



(may not be included in the scope of delivery)

Drawings

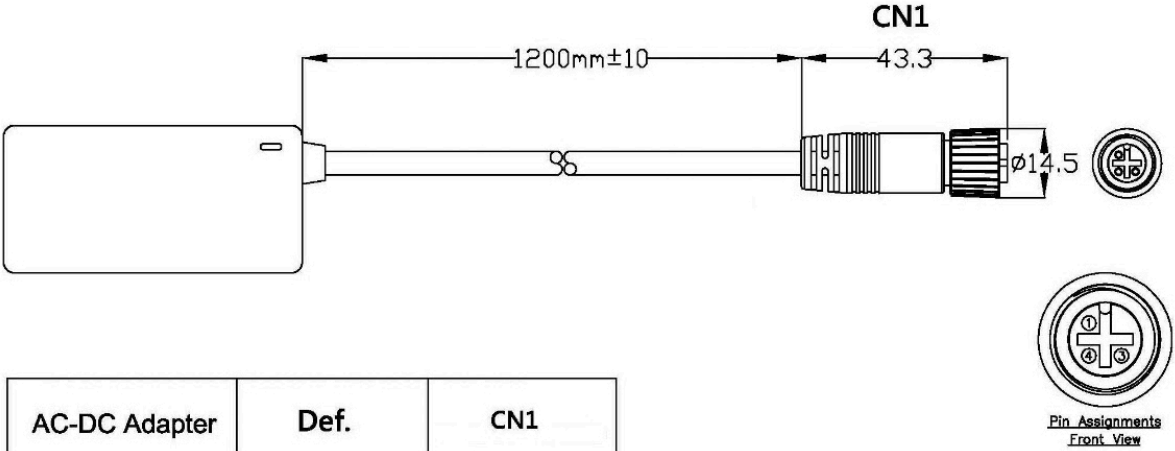
COM cable



(may not be included in the scope of delivery)

Drawings

Power adapter



AC-DC Adapter	Def.	CN1
	FG	1
(White)	VCC	3
	GND	4

(may not be included in the scope of delivery)



Wachendorff Prozesstechnik GmbH & Co. KG
Industriestrasse 7 • 65366 Geisenheim
Germany

Phone: +49 (0) 67 22 / 99 65 - 20
E-Mail: wp@wachendorff.de
www.wachendorff-prozesstechnik.de

