

Fanless Box PC AVS-520QL, Intel® Celeron® i3 / i5 / i7 of the 9th generation



- The most demanding applications
- Video interfaces: HDMI, VGA
- 4 x DI, 4 x DO
- 1 x 2.5" SATA3 HDD/SSD, quick-change bay
- Flexible input voltage 9 VDC to 36 VDC
- Various Windows versions, e.g. Win 10 IOT 2019 LTSC

<https://www.wachendorff-prozesstechnik.de/en/AVS-520QL>

Description

The AVS series can be equipped with anything from an extremely energy-efficient Intel® Celeron® J1900 processor (2.42 GHz) to a 9th generation i7 / Intel® Xeon® E-2278GE processor (4.70 GHz). The AVS series from Apex is a flexible and compact system family with high expandability and outstanding performance. It is ideal for machine vision and machine automation applications. All PCs in the AVS series have expansion slots in the form of Mini-PCIe, PCIe-16 or M-2 interfaces. The AVS-300 series represents the most compact group within the AVS series. Within this, the AVS-313 is ideal for lighting control due to the 32 integrated GPIOs and additional special 4 DI (trigger input) / 4 DO (light control). Devices in the AVS-500 series are characterized by their particularly extensive expandability and, in addition to the options already mentioned, offer easily accessible PCIe and 2.5" HDD/SSD slots. There are also variants with integrated GPIOs for lighting control. The IPC AVS-600 combines all of the above functions and expansion options and is the top-of-the-range box PC in the AVS series.

Product details

Power supply:	9 VDC to 36 VDC
Processor:	Intel® Core™ i3-9100TE processor (6M cache, 3.20 GHz) Intel® Core™ i5-9500TE processor (9M cache, 3.60 GHz) Intel® Core™ i7-9700TE processor (12M cache, 3.80 GHz)
RAM:	Optional 8 GB / 16 GB / 64 GB DDR4 SO-DIMM
SSD/HDD:	2 x 2.5" SATA2 HDD/SSD quick-release bay
Interfaces:	USB: 4 x USB 3.2 Gen1 type A 1 x internal USB2.0 type A for dongle Serial: 1 x RS-232/422/485 DB-9 (COM1, default RS-232) 1 x RS-232 DB-9 (COM2) Ethernet: 2 x GbE LAN RJ-45 Power supply: Plug-in 3-pin terminal strip On/off switch: optional plug-in 2-pin terminal strip, see accessories IPC_DIO_2P GPIO: - Audio: - Video: 1 x VGA 1 x HDMI

Interfaces Extension module:	HS (High Speed) expansion I/O: 2 x GbE LAN, RJ-45 by intel I210 (I211) AT 2 x USB 3.0, type A 1 x 8bit GPIO, terminal block 1x10 pin
Expansion slots:	2 x 2.5" SATA3 HDD/SSD , Easy-swappable HDD tray 1 x Full size Mini-PCIe slot 1 x M.2 M key 2280/2242 support NVMe PCIe x4 supporting NVMe
Housing:	Black metal housing with aluminum heat sink
Assembly:	Wall mounting DIN rail (optional)
Protection class:	IP30
Weight:	approx. 3.4 kg
Ambient conditions:	Operating temperature: - 20°C to 60°C (i3/i5 model) - 20°C to 50°C (i7 model) Storage temperature: - 40 to 85 °C Humidity: 10 % to 90 %.rH, non-condensing"
Certifications:	CE / FCC Class A
Operating systems:	Windows® 10 IoT Windows® 11 IoT Linux
Scope of delivery:	Device
Customs tariff number:	84715000
Manufacturer:	Apex Technology Inc.

Products Order no.

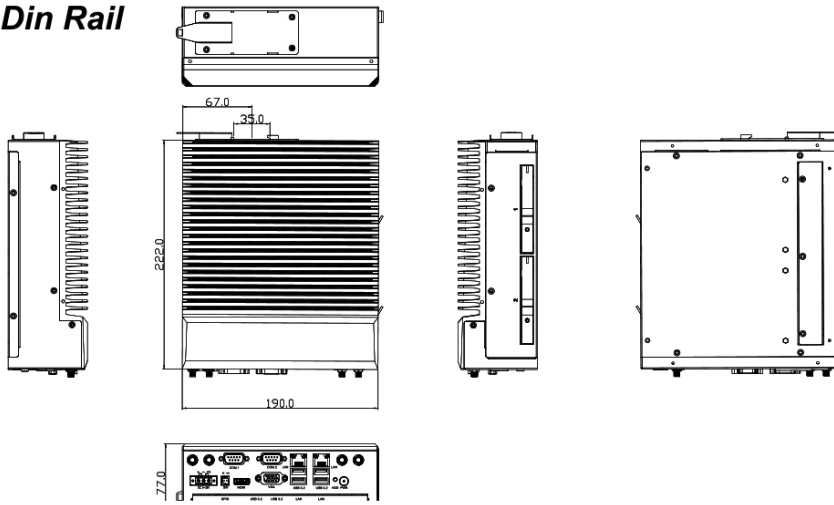
AVS-520QL	Fanless box PC
-----------	----------------

Accessories Order no.	
ETHSWG5C	5-way Ethernet switch, Gigabit, unmanaged
ETHSWG8C1	8-port Ethernet switch, Gigabit, unmanaged
KABETH10	Patch cable, RJ45 UTP CCA, CAT5e white, 0.3 m
KABETH11	Patch cable, RJ45 UTP CCA, CAT5e white, 1 m
KABETH12	Patch cable, RJ45 UTP CCA, CAT5e white, 2 m
DRS1-24	Power supply unit for DIN rail, 85 to 264 VAC, 24 VDC 1.25 A, spring terminal
DRS1-24A	Power supply unit for DIN rail, 85 to 264 VAC, 24 VDC 1.25 A, screw terminal
IPC_DIO_2P	Two-pin connector plug, digital input

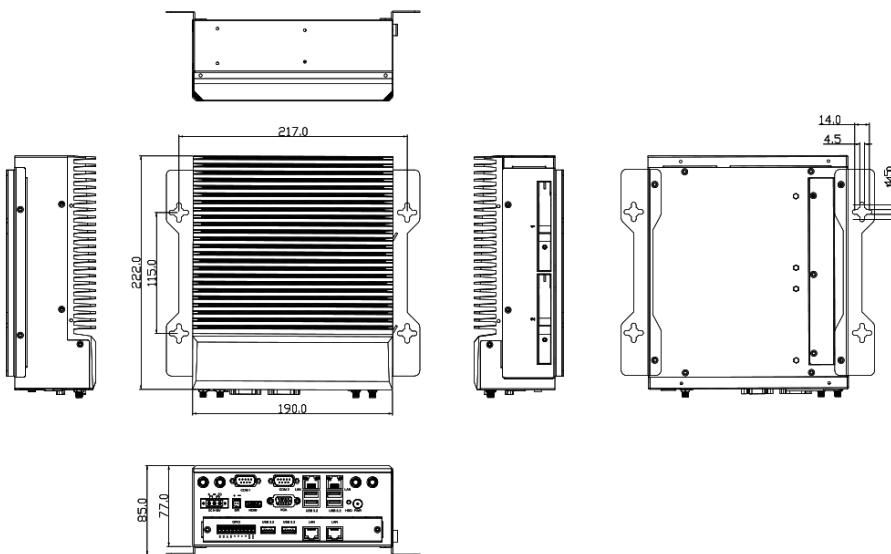
Drawings

Dimensions (mm):

Din Rail



Wall Mount





Wachendorff Prozesstechnik GmbH & Co. KG
Industriestrasse 7 • 65366 Geisenheim
Germany

Phone: +49 (0) 67 22 / 99 65 - 20
E-Mail: wp@wachendorff.de
www.wachendorff-prozesstechnik.de

