

21.5 inch display PhanTAM-121A Stainless steel housing



- 21.5" TFT LCD, 1,920 x 1080 pixels
- Projected capacitive touch
- IP66/IP69K stainless steel housing with M12 connections
- Type 304 / 316 stainless steel housing
- Screws in hygienic design
- Reading angle horizontal 178°, vertical 178°

<https://www.wachendorff-prozesstechnik.de/en/PhanTAM-121A>

Description

The PhanTAM-1A display series - modern design for the highest hygiene standards

The PhanTAM series not only offers extremely robust industrial displays, but also a modern and attractive design. The displays are housed in a frameless stainless steel enclosure with IP66/IP69K certification and are ideal for industries such as food and beverage automation, pharmaceuticals, chemicals and cleanrooms. The screws have been specially designed to be hygienic and thus contribute to compliance with the highest hygiene standards. The industrial touch displays are only available with projected capacitive touch in sizes of 15.6" and 21.5". The projected capacitive touch display enables multi-touch operation and particularly precise operation without touching the screen directly. The fanless design enables effective temperature control and use in demanding environments. As an option, the PhanTAM series touch displays can be equipped with a high-brightness display and optical bonding to ensure an outstanding display even under difficult conditions.

Product details

Power supply:	9 VDC to 36 VDC
Power consumption:	max. 35 W
Display:	21.5" TFT-LCD
Resolution:	1366 x 768 pixels 1920 x 1080 pixels (optional)
Aspect ratio:	16:9
Brightness:	250 cd/m ² 1000 cd/m ² (optional high-brightness LCD)
Backlight:	30,000 h running time
Colors:	16.7 million
Contrast:	1000:1 3000:1 (optional high-brightness LCD)
Reading angle:	H: 178° / V: 178°
Touch screen:	Projected capacitive touch
Interfaces:	USB: 1 x M12 8-pin (2 x USB 2.0 via cable) with waterproof termination Power supply: 1 x M12 3-pin, 1 x On/Off button (rear) VGA: 1 x M12 12-pin with waterproof termination HDMI: 1 x M12 17-pin with waterproof termination
Housing:	Stainless steel (type 304, optionally 316)

Assembly:	VESA 100 x 100, Swing ARM (optional)
Protection class:	IP66/IP69K
Weight:	approx. 7.6 kg
Dimensions (WxHxD):	540.4 mm x 332.4 mm x 61.5 mm
Ambient conditions:	Operation: 0 °C to +50 °C ; -20 °C to 60 °C (optional) Storage: -30 °C to +70 °C 10% to 90 % rH, non-condensing.
Certifications:	CE/FCC Class A
Scope of delivery:	Device 1 x M12 power supply unit 1 x M12 USB cable (1x M12 to 2x USB 2.0)
Customs tariff number:	85285210
Manufacturer:	Aplex Technology Inc.
Options:	IP65 water-resistant power supply unit (24 VDC / 90-305 VAC) Optical bonding High Brightness LCD (1000 cd/m ²) Stainless steel (Type 316)

Products Order no.

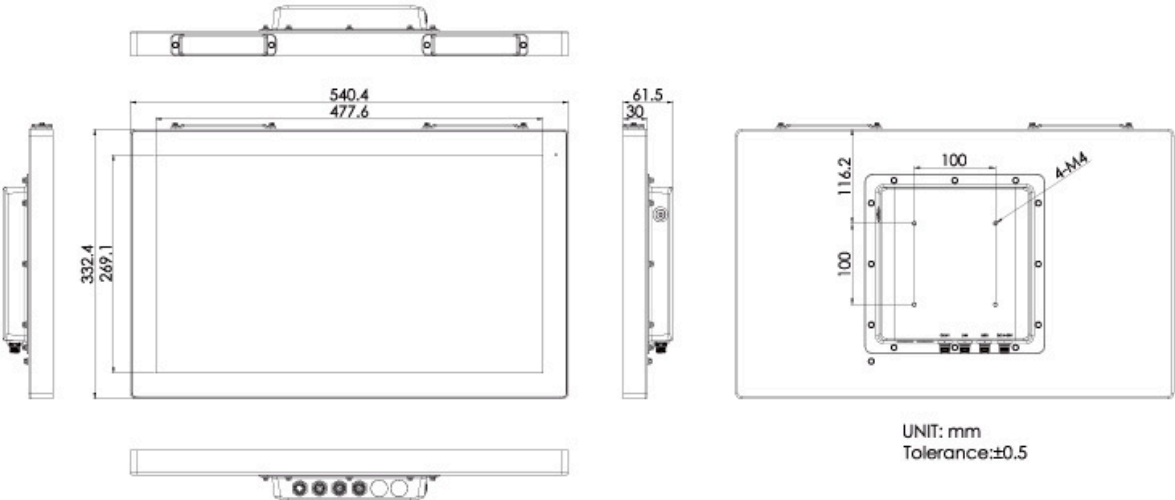
PhanTAM-121A	21.5" inch display, stainless steel, projected capacitive touch
--------------	---

Accessories Order no.

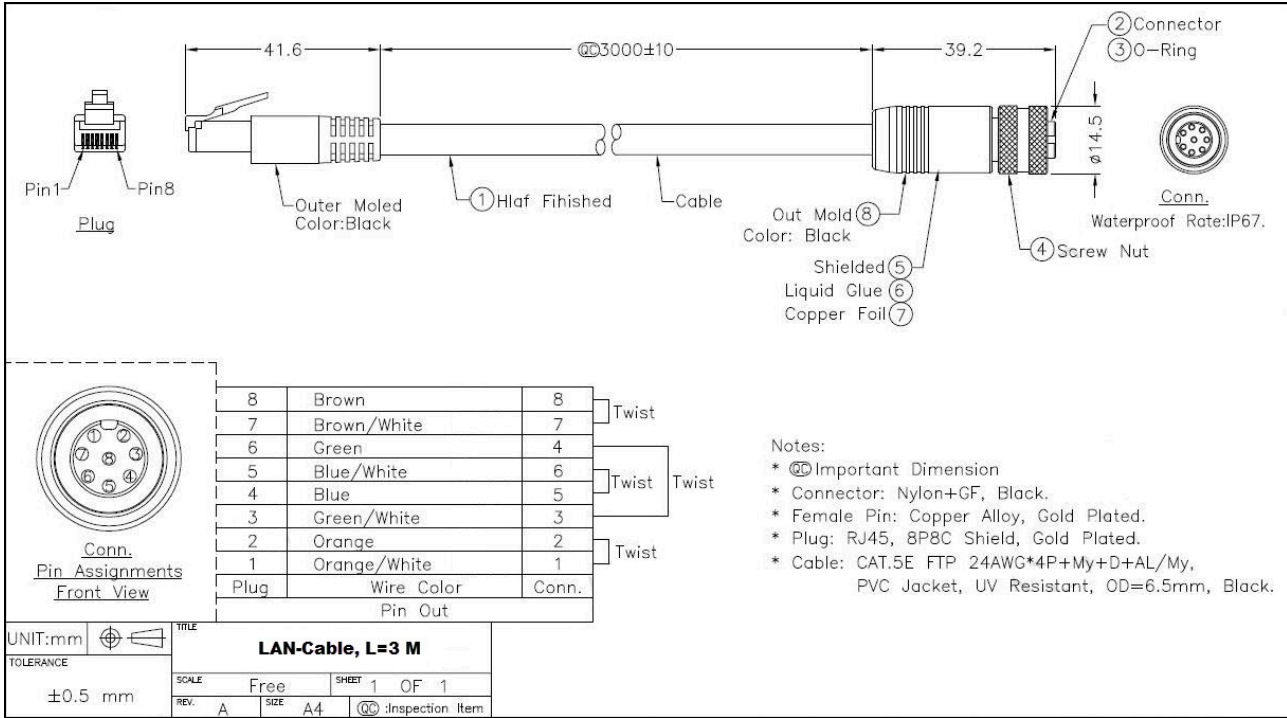
PPC-D-103	VESA stand stainless steel (type 304) 75 x 75 / 100 x 100
PPC-W-101	VESA wall bracket stainless steel (type 304) 75 x 75 / 100 x 100
PPC-W-101S	VESA wall bracket stainless steel (type 316) 75 x 75 / 100 x 100

Drawings

Dimensions (mm):



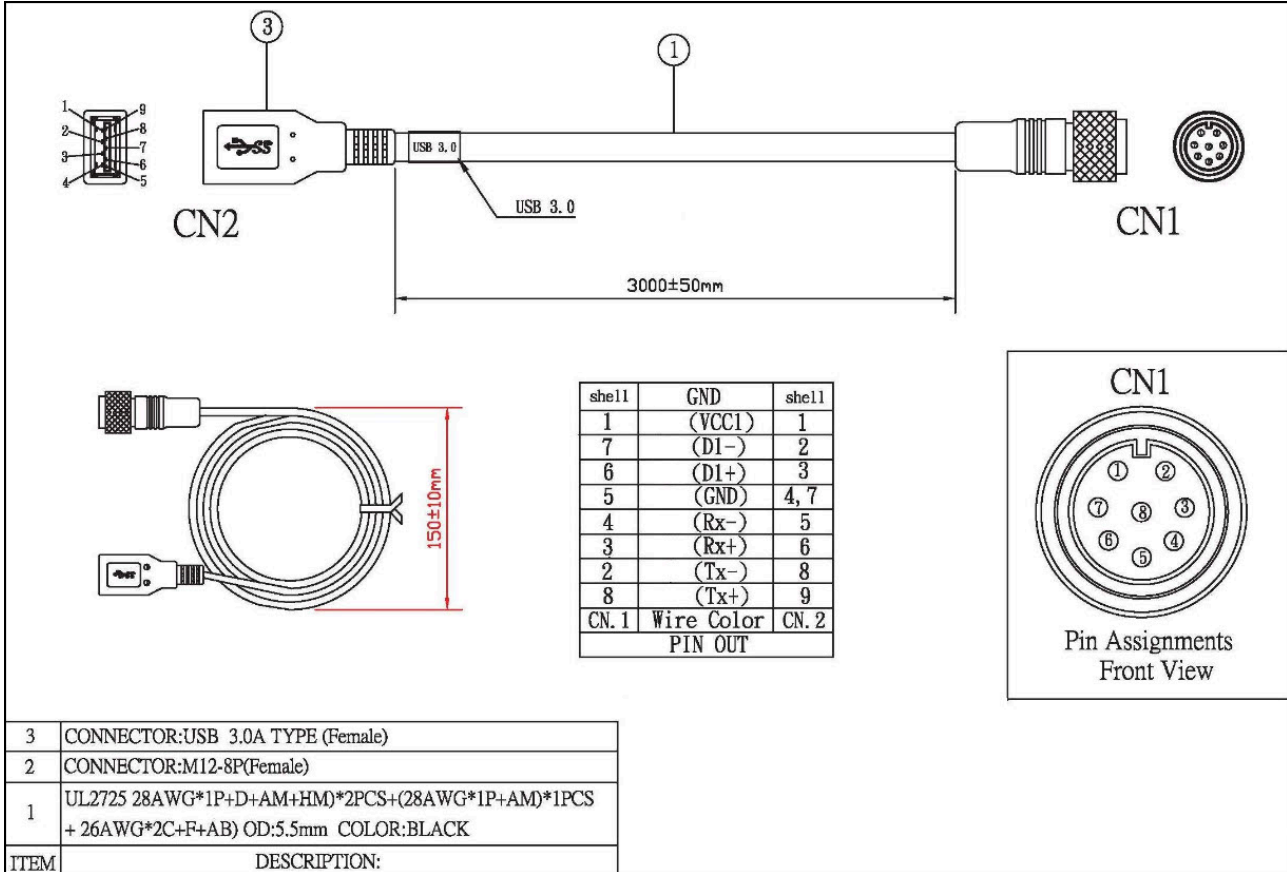
Drawings
LAN cable



(may not be included in the scope of delivery)

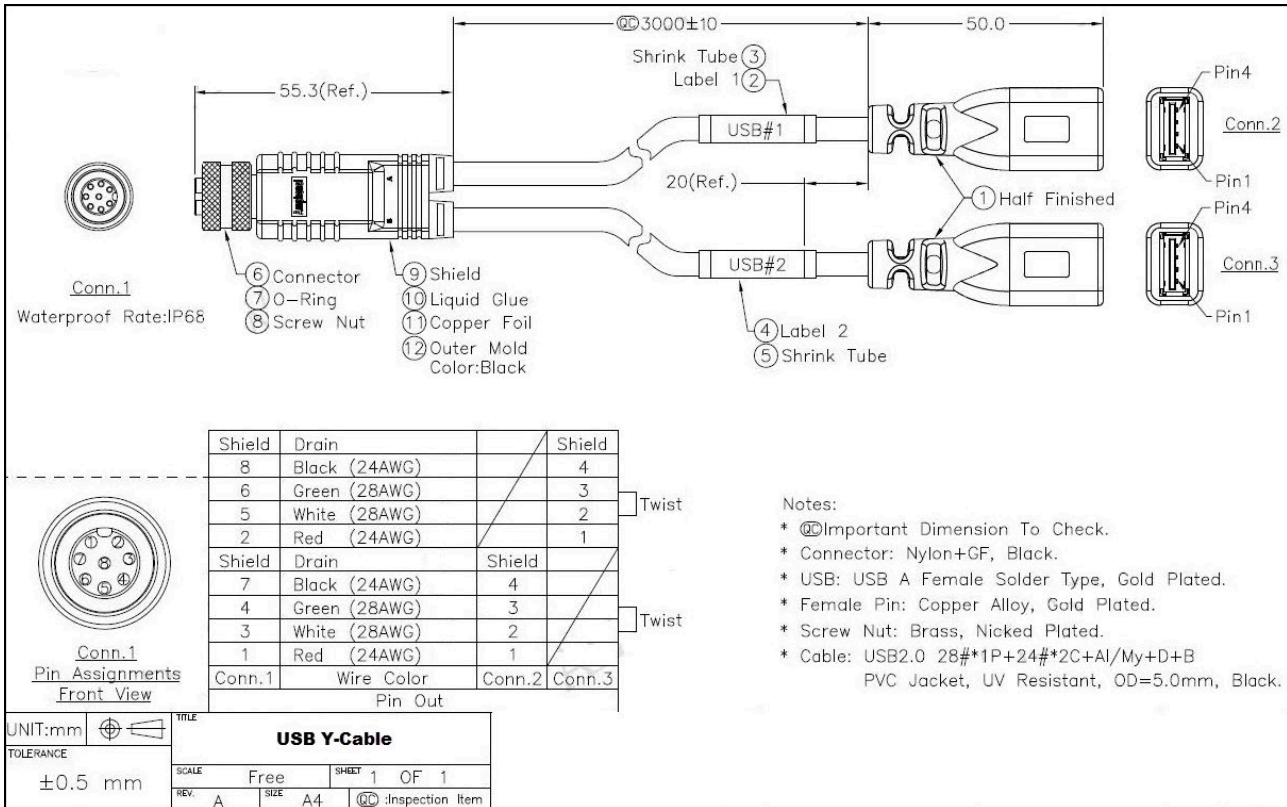
Drawings

USB 3.0 cable



(may not be included in the scope of delivery)

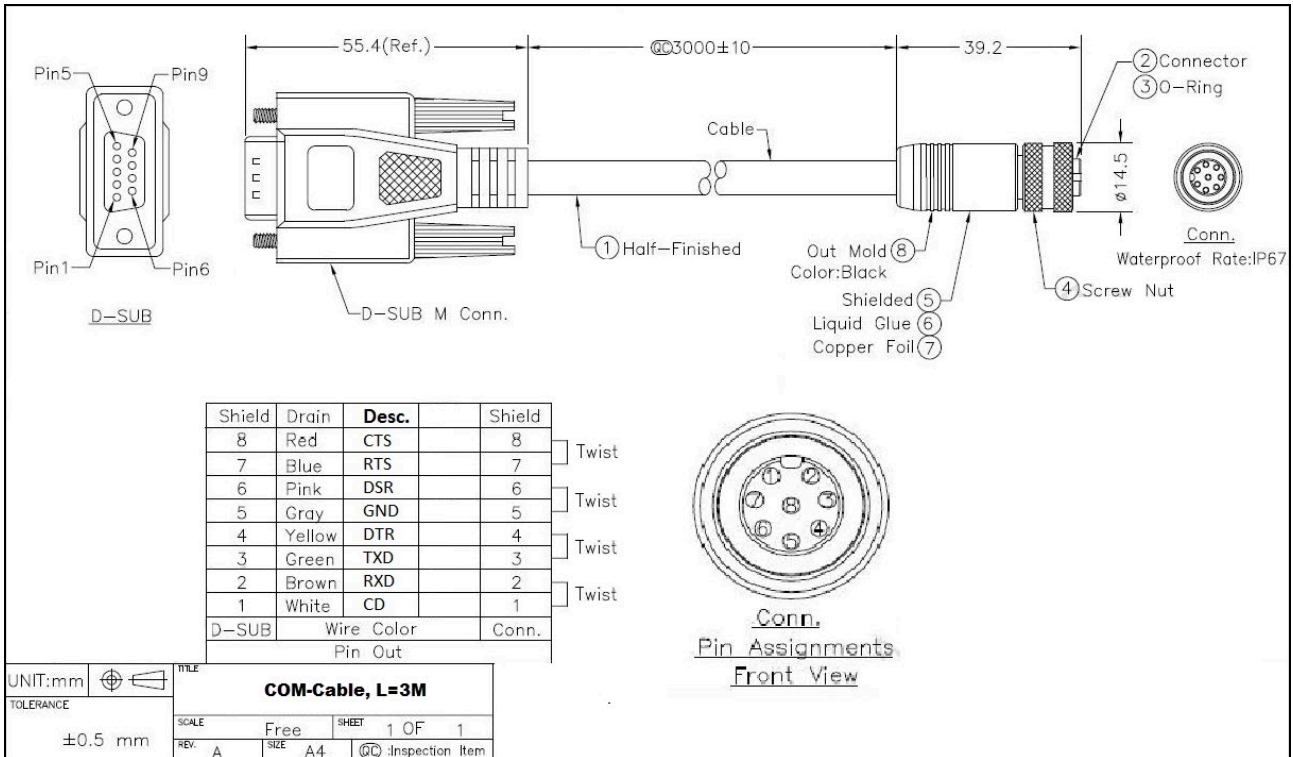
Drawings
USB Y-cable



(may not be included in the scope of delivery)

Drawings

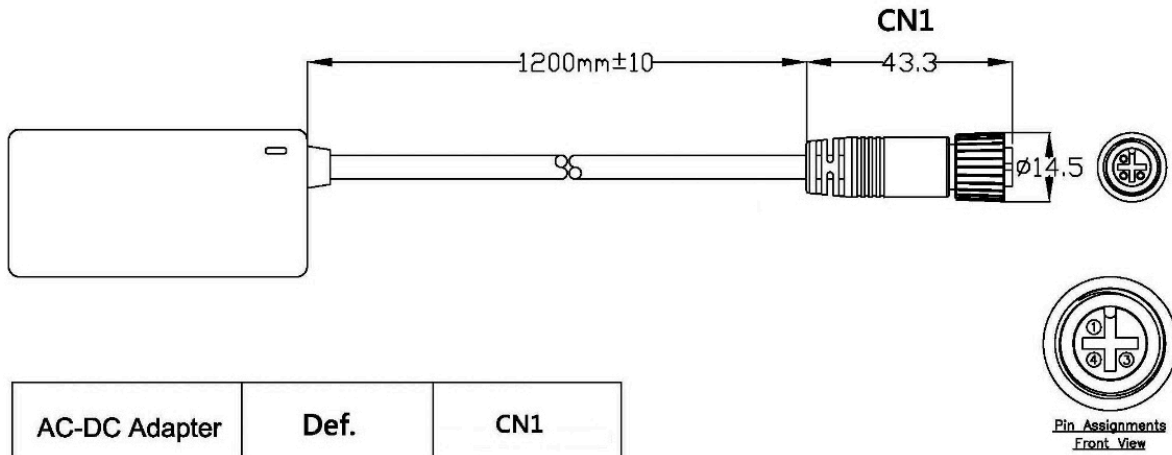
COM cable



(may not be included in the scope of delivery)

Drawings

Power adapter



AC-DC Adapter	Def.	CN1
	FG	1
(White)	VCC	3
	GND	4

(may not be included in the scope of delivery)



Wachendorff Prozesstechnik GmbH & Co. KG
Industriestrasse 7 • 65366 Geisenheim
Germany

Phone: +49 (0) 67 22 / 99 65 - 20
E-Mail: wp@wachendorff.de
www.wachendorff-prozesstechnik.de

