

## 10.1" display FABS-110R suitable for food production



- 10.1" TFT LCD, 1280 x 800 pixels
- resistive touch
- IP66/IP69K-compliant front panel
- Fanless cooling system
- Reading angle horizontal 170°, vertical 170°

<https://www.wachendorff-prozesstechnik.de/en/FABS-110R>

### Description

The FABS-1 series has a stainless steel housing that can be certified in accordance with EN 1672-2 (not certifiable for the resistive touch). The industrial displays in this series, which are suitable for food production, are available in display sizes from 7" to 21.5" and are optionally equipped with touch. The projected capacitive touch enables multi-touch operation. The display is absolutely flush with the stainless steel front panel (type 304). The front has an IP69K (incl. IP66) rating and the fanless thermal design of the robust housing enables effective temperature control. The FABS displays can be optionally equipped with a high-brightness LCD and/or optical bonding for an outstanding display, even under the most difficult conditions.

### Product details

Power supply:	9 VDC to 36 VDC
Power consumption:	max. 23.7 W
Display:	10.1" TFT LCD
Resolution:	1280 x 800 pixels
Aspect ratio:	16:10
Brightness:	350 cd/m <sup>2</sup> 1000 cd/m <sup>2</sup> (optional high-brightness LCD)
Colors:	16.7 million
Reading angle:	H: 170° / V: 170°
Backlight:	25.000 h 50,000 h (optional high-brightness LCD)
Touch screen:	resistive
Interfaces:	Video: 1 x VGA, 1 x DVI, 1 x DP, 1 x HDMI Audio: 3.5 mm jack input Touch: USB-A Power supply: pluggable 3-pin terminal strip
Housing:	Die-cast aluminum Stainless steel front panel (type 304, optionally 316)
Assembly:	VESA 100 x 100; panel mounting
Protection class:	IP66/IP69K (front)
Dimensions (WxHxD):	296 mm x 200 mm x 47 mm
Weight:	approx. 2.3 kg
Ambient conditions:	Operation: 0 °C to +50 °C ; Storage: -30 °C to +70 °C 10% to 90 %rH, non-condensing.
Certifications:	CE/FCC Class A

Options:	Optical bonding High Brightness Display
	Extended temperature range -20°C to +60°C
Scope of delivery:	Device 1 x power supply unit 1 x mounting material
Customs tariff number:	85285210
Manufacturer:	Aplex Technology Inc.

### Products Order no.

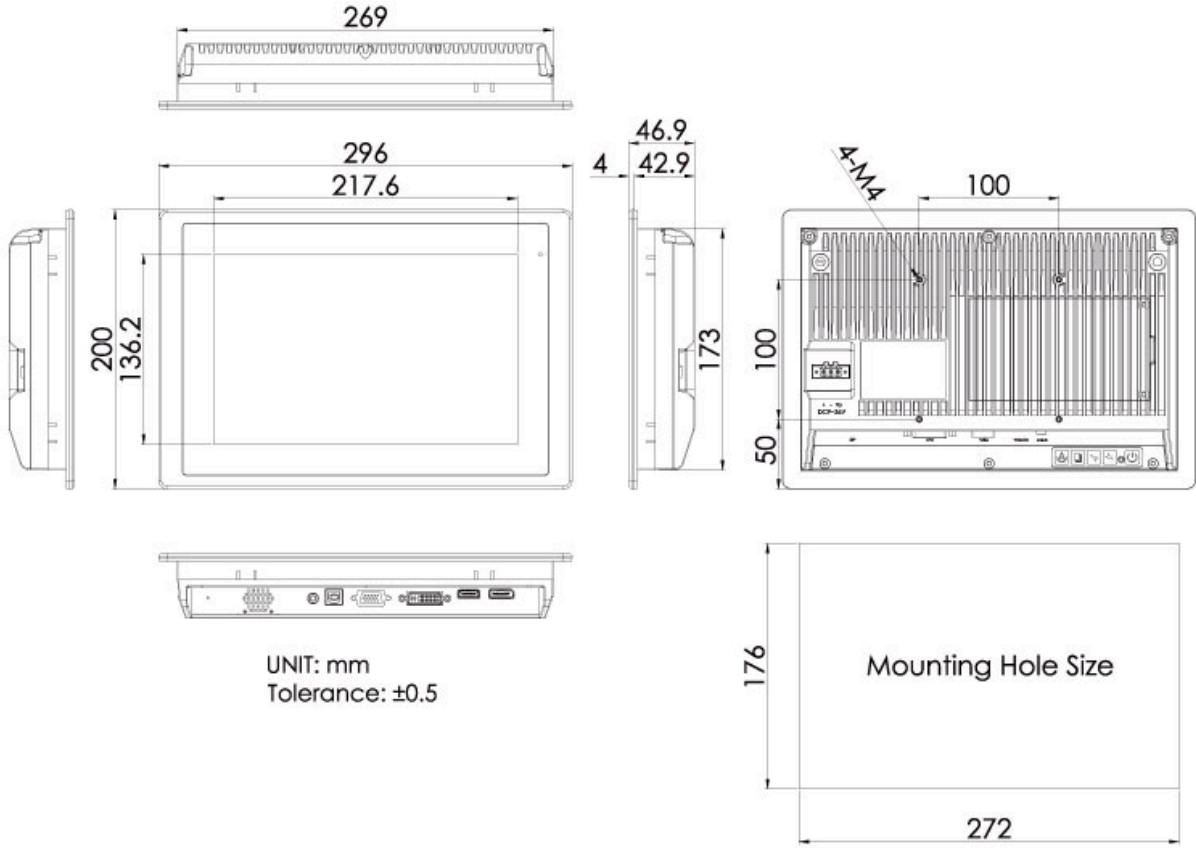
FABS-110R	10" industrial display, stainless steel front panel, resistive touch
-----------	--

### Accessories Order no.

ETHSWG5C	5-way Ethernet switch, Gigabit, unmanaged
ETHSWG8C1	8-port Ethernet switch, Gigabit, unmanaged
DRS4-24A	Power supply unit for DIN rail, 85 to 264 VAC, 24 VDC 4.2 A, screw terminal
KABETH10	Patch cable, RJ45 UTP CCA, CAT5e white, 0.3 m
KABETH11	Patch cable, RJ45 UTP CCA, CAT5e white, 1 m
KABETH12	Patch cable, RJ45 UTP CCA, CAT5e white, 2 m

**Drawings**

**Dimensions (mm):**



UNIT: mm  
Tolerance: ±0.5



Wachendorff Prozesstechnik GmbH & Co. KG  
Industriestrasse 7 • 65366 Geisenheim  
Germany

Phone: +49 (0) 67 22 / 99 65 - 20  
E-Mail: [wp@wachendorff.de](mailto:wp@wachendorff.de)  
[www.wachendorff-prozesstechnik.de](http://www.wachendorff-prozesstechnik.de)

