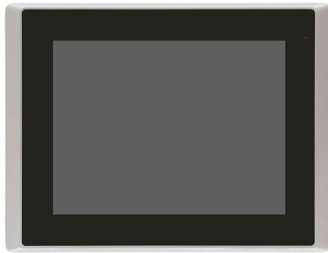


8 inch Panel PC ARCHMI-S-808B



- 8" TFT LCD, 800 x 600 pixels
- Resistive touch
- Processor: Intel® Celeron® J6412 (2.0 GHz)
- Fanless cooling system
- Reading angle : Standard 140(H)/130(V), and High Brightness 140 (H)/120(V)

<https://www.wachendorff-prozesstechnik.de/en/ARCHMI-S-808B>

Description

The ARCHMI-S-808B series is based on an Intel® Celeron® J6412 processor with 2.0 GHz.

The industrial panel PCs in the ARCHMI-S-808B series are equipped with an 8" TFT LCD display and are available with either a projected capacitive or resistive touchscreen. The projected capacitive touch enables multi-touch operation with a corresponding operating system. If pressure-sensitive operation is required (e.g. with gloves), the resistive touch is the right choice. The front panels are absolutely flush with the die-cast aluminum housing. The front of the housing is IP66 rated. The unique fanless thermal design of the die-cast aluminum housing enables effective temperature control. The ARCHMI-IPC can be optionally equipped with a High Brightness LCD and/or Optical Bonding for an outstanding display, even under difficult conditions. This high-performance yet highly energy-efficient processor family is used, for example, in factory automation, remote data acquisition and in the most common industrial applications.

Product details

Power supply:	9 VDC to 36 VDC
Power consumption:	28 W
Display:	8" TFT LCD
Resolution:	800 x 600 pixels
Aspect ratio:	4:3
Brightness:	450 cd/m ² 1000 cd/m ² (optional high-brightness LCD)
Backlight:	40,000 h runtime 50,000 h runtime (optional high-brightness LCD)
Colors:	Standard: 262K Optional high-brightness LCD: 16.2 M
Reading angle:	H: 140° / V: 130° H: 140° / V: 120° (optional high-brightness LCD)
Touch screen:	Resistive touch
Processor:	Intel Celeron J6412 Processor (2.0 GHz)
RAM:	1 x 260-pin SO-DIMM up to 32GB DDR4 3200MHz
SSD/HDD:	1 x M.2 B-Key slot; (Support SATA3; 2242/2280)

Interfaces:	USB: 2 x USB 3.2 type A Serial: (COM1, BIOS selection) RS232 / RS422 / RS485 Ethernet: 1 x RJ45 type Intel I210AT 1GbE LAN, 1 x RJ45 type Intel I225LM/I226LM 2.5GbE LAN Audio: Line out 3.5 mm jack Power supply: pluggable 3-pin terminal strip On/off switch: optional pluggable 2-pin terminal strip
Expansion slots	1 x Mini PCIe slot 1x M.2 E-Key 2230 for WiFi/Bluetooth module (USB 2.0, PCIe 3.0 x1) 1 x micro SIM card slot
Housing:	Die-cast aluminum
Assembly:	VESA 75 x 75; panel mounting
Protection class:	IP66 on the front
Dimensions (WxHxD):	231.1 mm x 176.1 mm x 69 mm
Weight:	2.17Kg
Ambient conditions:	Operation: -20 °C to +60 °C Storage: -30 °C to +70 °C 10% to 95%.rH, non-condensing.
Certifications:	CE/FCC Class A
Operating systems:	Windows® 10 IoT Ent 2021 LTSC Windows® 11(21H2) or later Linux 18.04 or later
Scope of delivery:	Device 1 x power supply unit 1 x mounting material
Customs tariff number:	84715000
Manufacturer:	Aplex Technology Inc.

Products Order no.

ARCHMI-S-808B	8" industrial panel PC, resistive touch
---------------	---

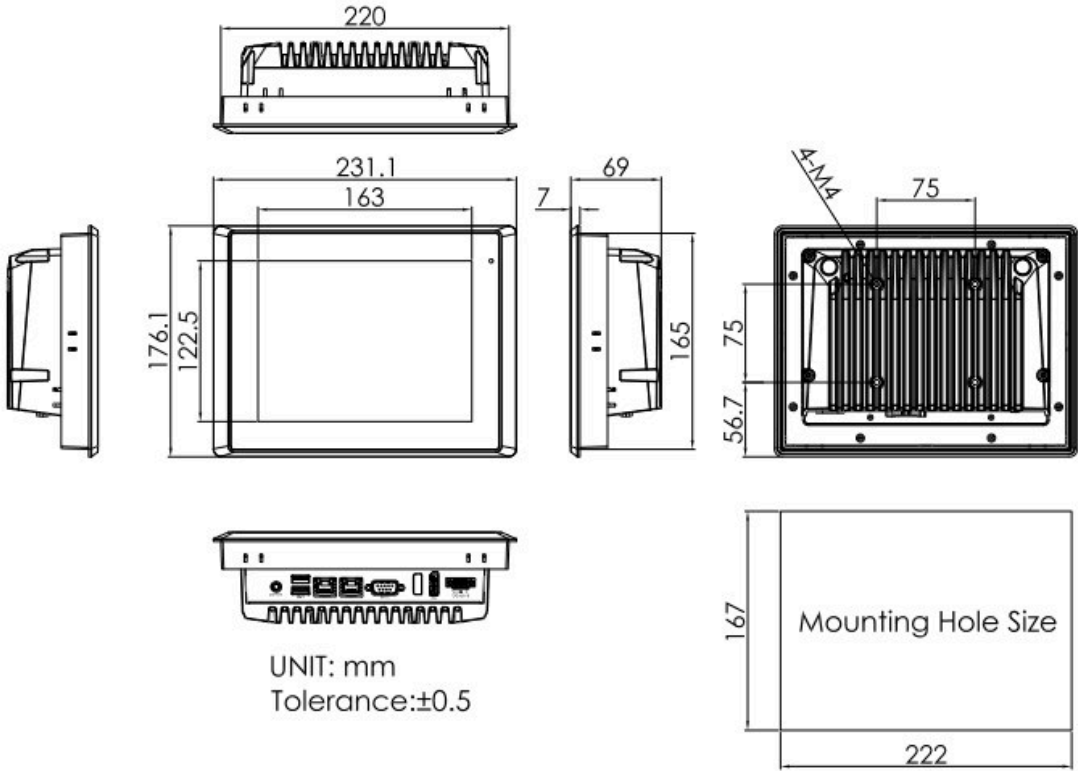
Accessories Order no.

ETHSWG5C	5-way Ethernet switch, Gigabit, unmanaged
ETHSWG8C1	8-port Ethernet switch, Gigabit, unmanaged
KABETH10	Patch cable, RJ45 UTP CCA, CAT5e white, 0.3 m

KABETH11	Patch cable, RJ45 UTP CCA, CAT5e white, 1 m
KABETH12	Patch cable, RJ45 UTP CCA, CAT5e white, 2 m
IPC_DIO_2P	2-pin connector plug, digital input

Drawings

Dimensions (mm) and STEP file/viewer:





Wachendorff Prozesstechnik GmbH & Co. KG
Industriestrasse 7 • 65366 Geisenheim
Germany

Phone: +49 (0) 67 22 / 99 65 - 20
E-Mail: wp@wachendorff.de
www.wachendorff-prozesstechnik.de

