

8-inch industrial display ARCDIS-108AP



- 8" TFT LCD, 800 x 600 pixels
- projected capacitive touch
- IP66 die-cast aluminum housing
- Flush frame design
- Fanless cooling system
- Reading angle horizontal 140°, vertical 125

<https://www.wachendorff-prozesstechnik.de/en/ARCDIS-108AP>

Description

The ARCDIS series offers industrial displays in a die-cast aluminum housing flush with the frame.

The industrial touch displays in this series are available in display sizes ranging from 7" to 23.8" and can be equipped with either projected capacitive or resistive touch. The series is supplemented by displays without touch functionality. The projected capacitive touch enables multi-touch operation. If pressure-sensitive operation is required (e.g. with gloves), the resistive touch is the right choice. The front panels are absolutely flush with the die-cast aluminum housing. The housing is IP66 rated. The unique fanless thermal design of the die-cast aluminum housing enables effective temperature control. The touch displays of the ARCDIS series can optionally be equipped with a high-brightness LCD and/or optical bonding for an outstanding display, even under difficult conditions.

Product details

Power supply:	9 VDC to 36 VDC
Power consumption:	max. 5.6 W
Display:	8" TFT LCD
Resolution:	800 x 600 pixels
Aspect ratio:	4:3
Brightness:	350 cd/m ² (optional High Brightness LCD 1,000 cd/m ²)
Colors:	16,2M
Reading angle:	H: 140° / V: 125°
Touch screen:	Projected capacitive touch
Interfaces:	VGA: 1x DVI: 1x HDMI: 1x DP: 1x USB: 1x USB-B for touch control OSD: Control membrane (rear) Power supply: pluggable 3-pin terminal strip
Housing:	Die-cast aluminum
Assembly:	VESA 75 x 75; panel mounting
Protection class:	IP66 on the front
Dimensions (WxHxD):	231.1 mm x 176.1 mm x 50 mm
Weight:	approx. 1.8 kg
Ambient conditions:	Operation: 0 °C to +50 °C Storage: -30 °C to +70 °C 10 % to 90 %.rH at 40 °C, non-condensing

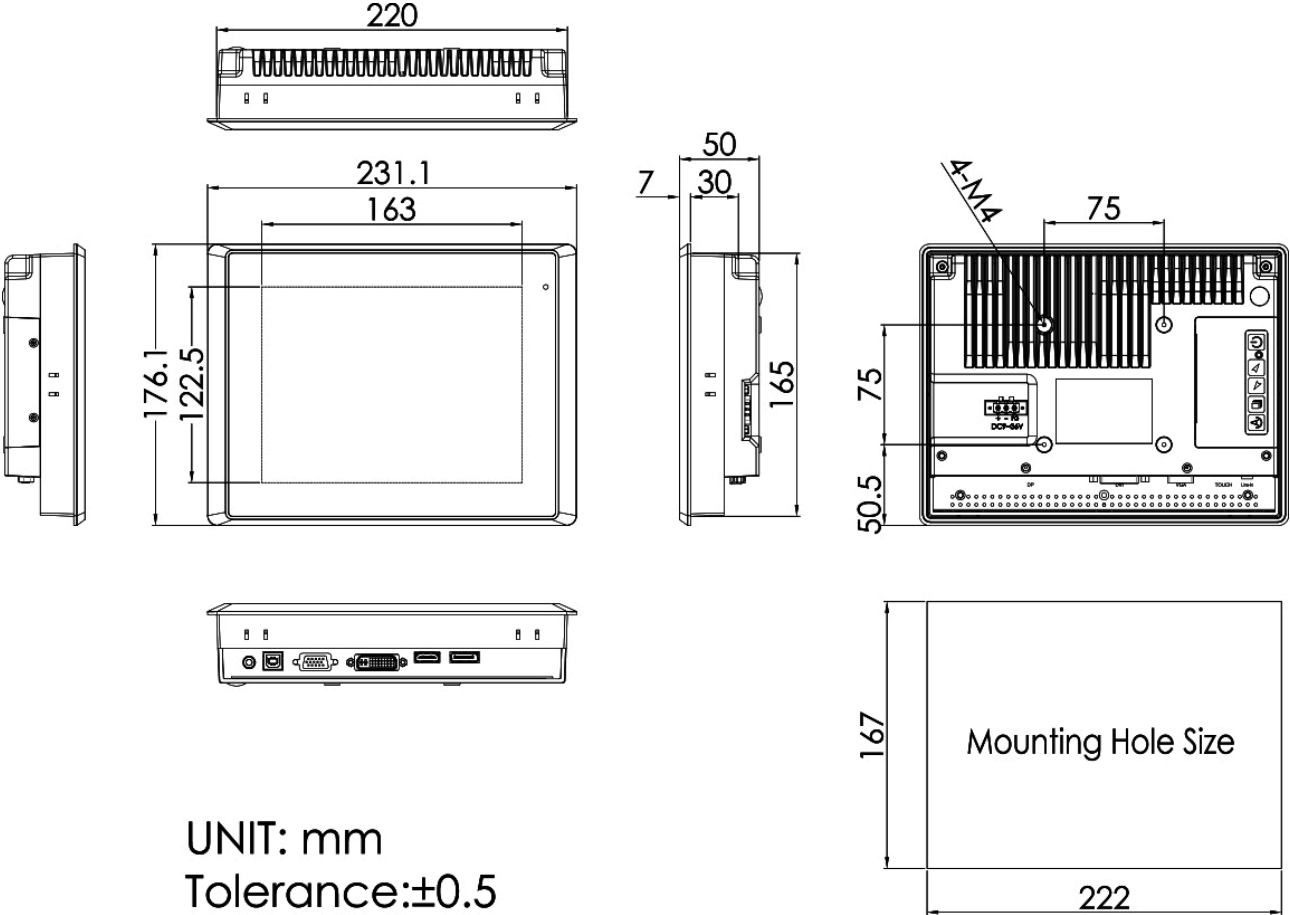
Certifications:	CE/FCC Class A
Scope of delivery:	Device 1 x 12V plug-in power supply 1 x VGA cable, 1.8 m 1 x USB 2.0 cable, 1.8 m (USB A male/USB B male) 1 x 3-pin connector plug Power supply
Customs tariff number:	85285210
Manufacturer:	Aplex Technology Inc.
Options:	Optical bonding High Brightness LCD (1000 cd/m ²) High resolution display 1024 x 768 pixels Extended temperature range -20 °C to +60 °C Built-in loudspeaker

Products Order no.

ARCDIS-108AP	8" industrial display, projected capacitive touch
--------------	---

Drawings

Dimensions (mm):



UNIT: mm
Tolerance: ±0.5



Wachendorff Prozesstechnik GmbH & Co. KG
Industriestrasse 7 • 65366 Geisenheim
Germany

Phone: +49 (0) 67 22 / 99 65 - 20
E-Mail: wp@wachendorff.de
www.wachendorff-prozesstechnik.de

