

## 32 inch industrial display ARCDIS-132AG



- 32" TFT-LCD, 1920 x 1080 pixels
- without touch function
- IP66 aluminum front with steel chassis
- Flush frame design
- Fanless cooling system
- Horizontal viewing angle 178°, vertical 178°

<https://www.wachendorff-prozesstechnik.de/en/ARCDIS-132AG>

### Description

The ARCDIS series offers industrial displays in a flush-framed steel housing with an aluminum front.

The industrial touch displays in this series are available in display sizes ranging from 7" to 32" and can be equipped with either projected capacitive or resistive touch. The series is supplemented by displays without touch functionality. The projected capacitive touch enables multi-touch operation. If pressure-sensitive operation is required (e.g. with gloves), the resistive touch is the right choice. The front panels are absolutely flush with the die-cast aluminum or steel housing. The front of the housing is IP66 rated. The unique fanless thermal design of the die-cast aluminum housing enables effective temperature control. The touch displays of the ARCDIS series can optionally be equipped with a high-brightness LCD and/or optical bonding for an outstanding display, even under difficult conditions.

### Product details

Power supply:	90 VAC - 264 VAC
Power consumption:	max. 47 W
Display:	32" TFT LCD
Resolution:	1920 x 1080 pixels
Aspect ratio:	16:9
Brightness:	500 cd/m <sup>2</sup>
Colors:	16,7M
Backlight:	30.000 h
Contrast:	3.000:1
Reading angle:	H: 178° / V: 178°
Touch screen:	without touch function
Interfaces:	VGA: 1x DVI-D: 1x HDMI: 1x DP: 1x OSD control buttons (rear) Power supply: 90 VAC - 264 VAC, C14 IEC plug
Housing:	Front aluminum Chassis: Steel
Assembly:	VESA 200 x 200; panel mounting
Protection class:	IP66 on the front
Dimensions (WxHxD):	810 mm x 490 mm x 65 mm
Weight:	approx. 16.41 kg

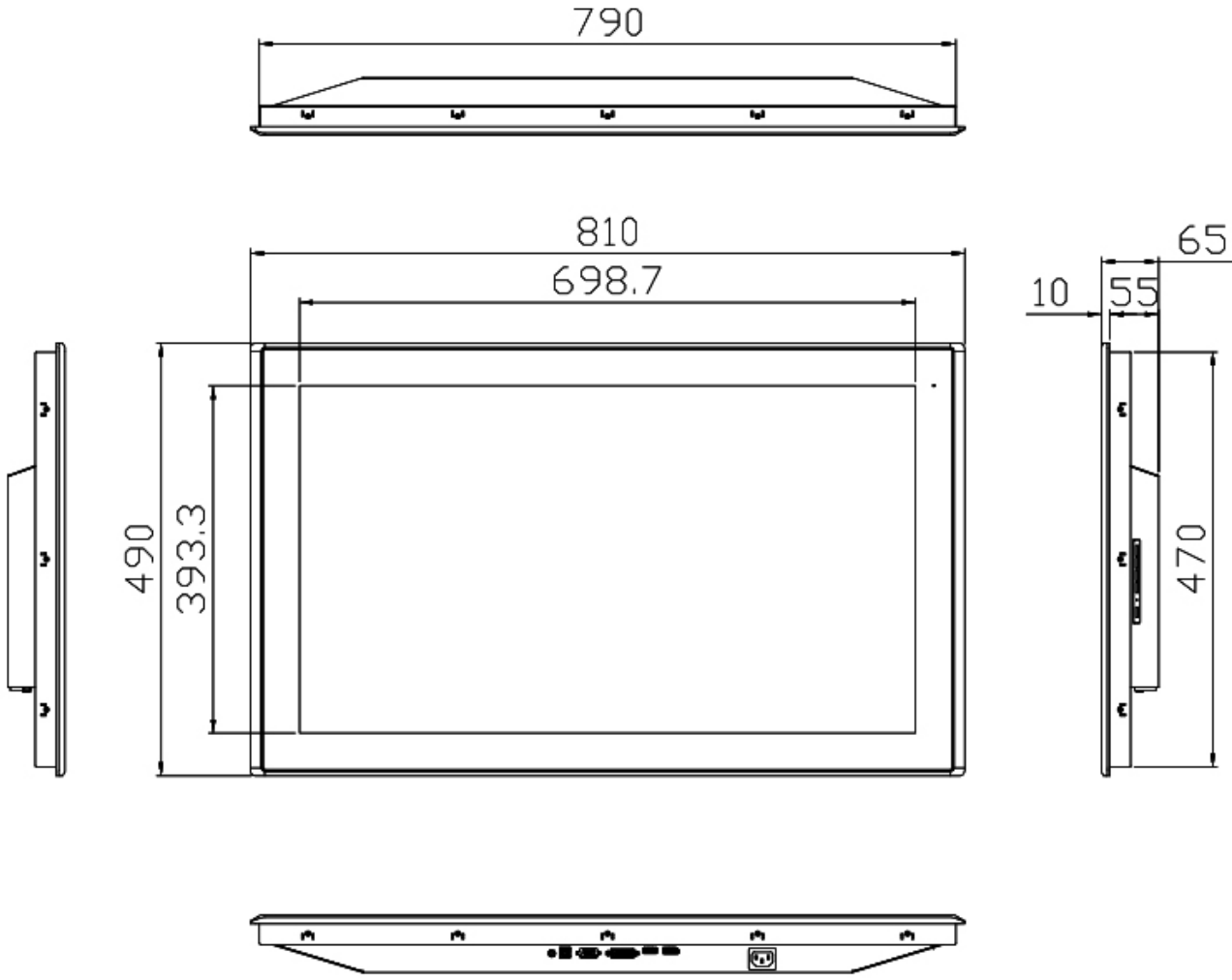
Ambient conditions:	Operation: 0 °C to +50 °C Storage: -30 °C to +70 °C 10 % to 90 %r.H at 40 °C, non-condensing
Certifications:	CE/FCC Class A
Scope of delivery:	Device 1 x VGA cable, 1.8 m 1 x C13 IEC connection cable
Customs tariff number:	85285210
Manufacturer:	Aplex Technology Inc.
Options:	Optical bonding Built-in speakers

### Products Order no.

ARCDIS-132AG	32" industrial display, without touch function
--------------	--

Drawings

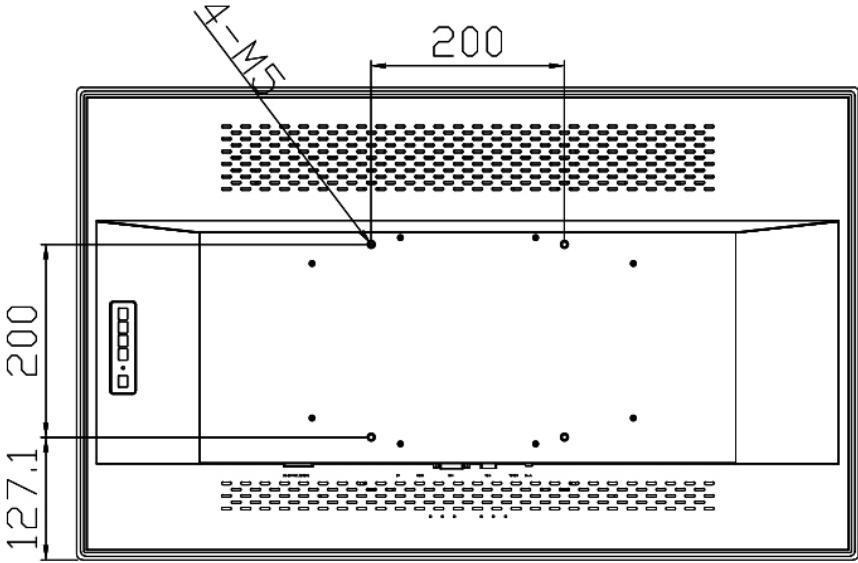
Dimensions (mm) 01:



UNIT: mm  
Tolerance: ±0.5

Drawings

Dimensions (mm) 02:





Wachendorff Prozesstechnik GmbH & Co. KG  
Industriestrasse 7 • 65366 Geisenheim  
Germany

Phone: +49 (0) 67 22 / 99 65 - 20  
E-Mail: [wp@wachendorff.de](mailto:wp@wachendorff.de)  
[www.wachendorff-prozesstechnik.de](http://www.wachendorff-prozesstechnik.de)

