

## 17 inch industrial display ARCDIS-117AR



- 17" TFT LCD, 1280 x 1024 pixels
- resistive touch
- IP66 die-cast aluminum housing
- Flush frame design
- Fanless cooling system
- Reading angle horizontal 170°, vertical 160

<https://www.wachendorff-prozesstechnik.de/en/ARCDIS-117AR>

### Description

The ARCDIS series offers industrial displays in a flush-fitting die-cast aluminum housing.

The industrial touch displays in this series are available in display sizes ranging from 7" to 23.8" and can be equipped with either projected capacitive or resistive touch. The series is supplemented by displays without touch functionality. The projected capacitive touch enables multi-touch operation. If pressure-sensitive operation is required (e.g. with gloves), the resistive touch is the right choice. The front panels are absolutely flush with the die-cast aluminum housing. The housing is IP66 rated. The unique fanless thermal design of the die-cast aluminum housing enables effective temperature control. The touch displays of the ARCDIS series can optionally be equipped with a high-brightness LCD and/or optical bonding for an outstanding display, even under difficult conditions.

### Product details

Power supply:	9 VDC to 36 VDC
Power consumption:	max. 11.6 W
Display:	17" TFT LCD
Resolution:	1280 x 1024 pixels
Aspect ratio:	5:4
Brightness:	350 cd/m <sup>2</sup> (optional High Brightness LCD 1,000 cd/m <sup>2</sup> )
Colors:	16,2M
Reading angle:	H: 170° / V: 160°
Touch screen:	resistive touch function
Interfaces:	VGA: 1x DVI-D: 1x HDMI: 1x DP: 1x USB: 1x USB-B for touch control OSD: Control membrane (rear) Power supply: pluggable 3-pin terminal strip
Housing:	Die-cast aluminum
Assembly:	VESA 100 x 100; panel mounting
Protection class:	IP66 on the front
Dimensions (WxHxD):	439 mm x 348 mm x 64.8 mm
Weight:	approx. 5.9 kg
Ambient conditions:	Operation: 0 °C to +50 °C Storage: -30 °C to +70 °C 10 % to 90 %.rH at 40 °C, non-condensing

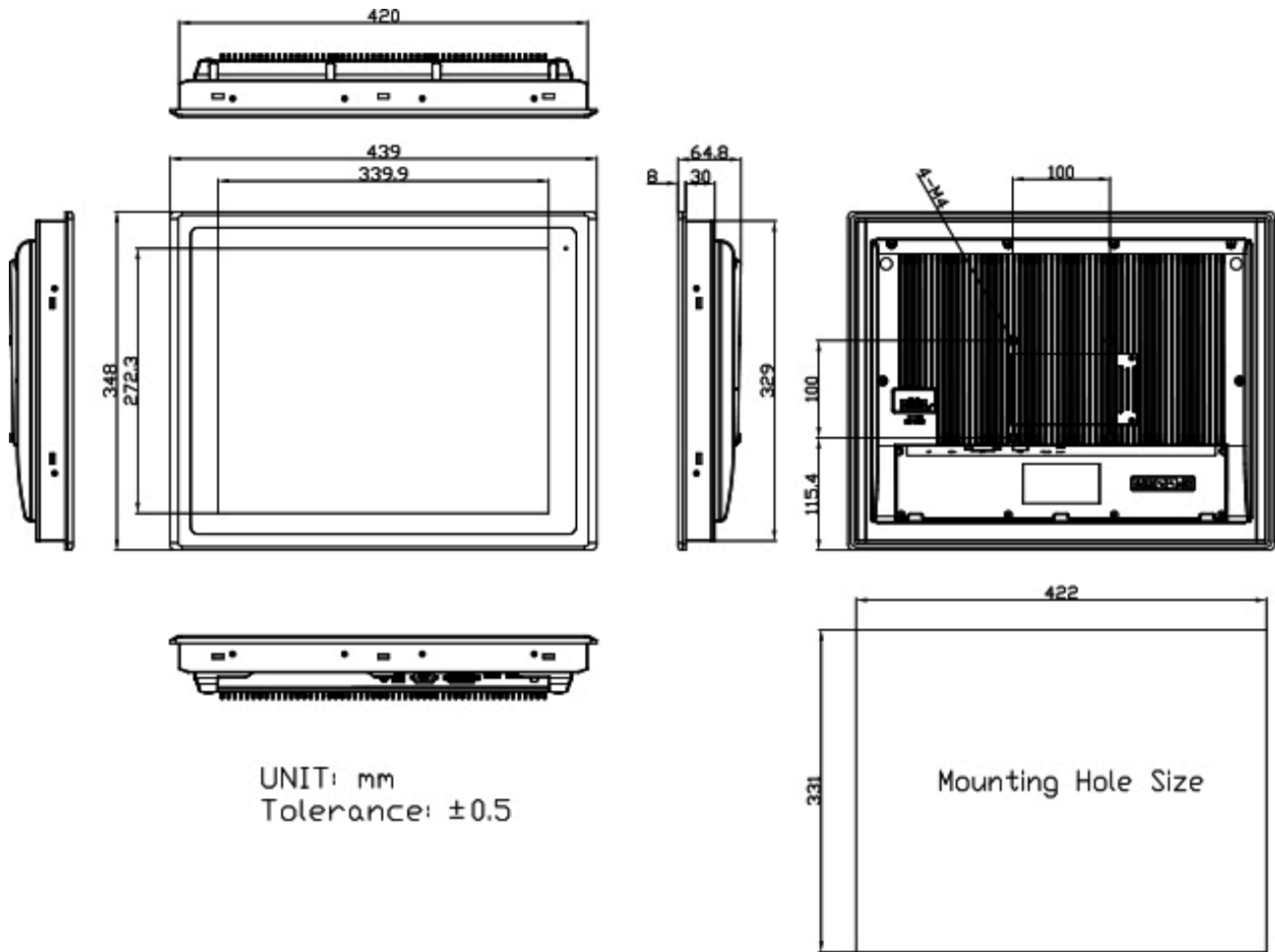
Certifications:	CE/FCC Class A
Scope of delivery:	Device 1 x 12V plug-in power supply 1 x VGA cable, 1.8 m 1 x USB 2.0 cable, 1.8 m (USB A male/USB B male) 1 x 3-pin connector plug Power supply
Customs tariff number:	85285210
Manufacturer:	Aplex Technology Inc.
Options:	Optical bonding High Brightness LCD (1000 cd/m <sup>2</sup> ) Extended temperature range -20 °C to +60 °C Built-in loudspeaker

### Products Order no.

ARCDIS-117AR	17" industrial display, resistive touch
--------------	---

Drawings

Dimensions (mm):



UNIT: mm  
Tolerance:  $\pm 0.5$



Wachendorff Prozesstechnik GmbH & Co. KG  
Industriestrasse 7 • 65366 Geisenheim  
Germany

Phone: +49 (0) 67 22 / 99 65 - 20  
E-Mail: [wp@wachendorff.de](mailto:wp@wachendorff.de)  
[www.wachendorff-prozesstechnik.de](http://www.wachendorff-prozesstechnik.de)

