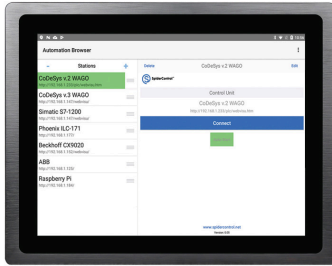


Powerful 17-inch WebPanel with Android 10.0



- 17" brilliant TFT-LCD graphic display, 1280 x 1024 pixels
- Fast image build-up with powerful processor
- Robust aluminum housing, low installation depth
- High protection class IP65, flush-mounted design
- Always connected: Integrated WiFi and Bluetooth

<https://www.wachendorff-prozesstechnik.de/en/JWS170-A210-3288432KY>

Description

This WebPanel series is based on a powerful RK3288 quad-core Cortex-A17 processor.

The WebPanels are available in display sizes from 7" to 23.8" with either projected capacitive or no touch. The projected capacitive touch enables multi-touch operation.

The housings are IP65 rated on the front and have a very compact and robust design thanks to the aluminum housing. The WebPanel can be used almost anywhere thanks to its low installation depth.

The WebPanel is based on the Android 10.0 operating system and is therefore ideal for installing your own web applications. The integrated WiFi and Bluetooth interfaces enable a wide range of applications.

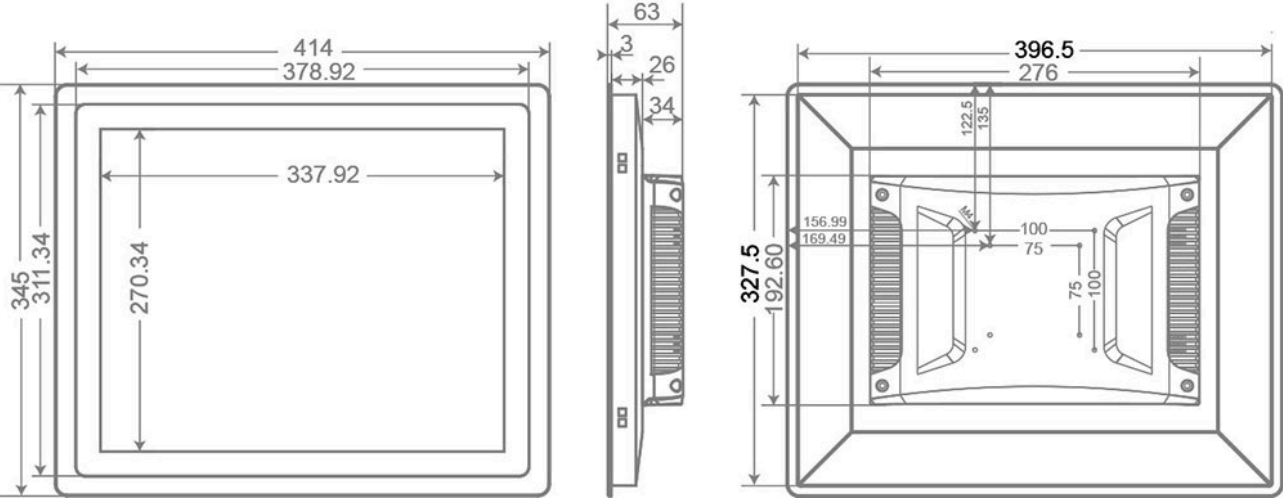
Product details

Power supply:	12 VDC to 36 VDC
Power consumption:	Power consumption: max. 21.6 W
Display:	17" TFT LCD
Resolution:	1280 x 1024 pixels
Aspect ratio:	4:3
Brightness:	300 cd/m ²
Colors:	16.7 million
Reading angle:	H: 80° / V: 80°
Touch screen:	projects capacitively
Glass hardness:	6H
Processor:	RK3288-Quad-Core Cortex-A17 up to 1.8GHz
RAM:	4 GB DDR3 RAM
Storage:	Onboard 32 GB eMMC NAND Flash
Interfaces:	USB: 2x USB 2.0 type A (1 port for firmware interface, convertible to standard USB) Serial: 2x RS-232 DB-9 Ethernet: 1x 10/100/1000 BaseT(X), RJ45 Display: 1x HDMI output Audio output: 3.5 mm jack Memory card slot: microSD slot Sim card slot: Standard SIM (without function as standard) WLAN: 1x 802.11a/b/g/n Bluetooth: 1x Bluetooth 4.0
Housing:	Robust aluminum housing
Assembly:	VESA 100 x 100 and/or 75 x 75 Panel mounting
Protection class:	Front IP65

Weight:	approx. 4.5 kg
Dimensions (WxHxD):	414 mm x 345 mm x 60.3 mm
Ambient conditions:	Operation: -10 °C to +60 °C Storage: -40 °C to +85 °C 5 % to 80 %rHn at 40 °C, non-condensing
Certifications:	CE FCC Class A CCC
Operating system:	Android
Scope of delivery:	Device 1 x mounting material
Customs tariff number:	84714100
Manufacturer:	Wachendorff Process Technology

Drawings

Dimensions (mm) and STL file/viewer:





Wachendorff Prozesstechnik GmbH & Co. KG
Industriestrasse 7 • 65366 Geisenheim
Germany

Phone: +49 (0) 67 22 / 99 65 - 20
E-Mail: wp@wachendorff.de
www.wachendorff-prozesstechnik.de

