

## 10.4 inch WebPanel WPC005-104CAT



- 10.4" brilliant TFT-LCD graphic display, 1024 x 768
- Robust aluminum housing, low installation depth
- High protection class IP65, frameless design
- Integrated WiFi and Bluetooth
- Fanless design

<https://www.wachendorff-prozesstechnik.de/en/WPC005-104CAT>

### Description

The Series 2 WebPanels with the RK3399 chipset are available in sizes from 10.1" to 21.5" and can be equipped with either a projected capacitive, resistive or non-touch screen. Particularly noteworthy is the particularly narrow display edge, which enables an almost frameless design.

The RK3399 chipset has a quad-core Cortex-A53 with up to 1.4 GHz and dual-core Cortex-A72 with 1.8 GHz. The housings are IP65 rated at the front and have a very compact and robust design thanks to the specially designed aluminum housing. The low installation depth means that the displays can be used almost anywhere.

### Product details

|                    |  |
|--------------------|--|
| Power supply:      | Hollow plug 5.5 x 2.5 mm: 12 VDC to 36 VDC<br>Screw terminal: 12 VDC to 36 VDC   |
| Power consumption: | Typical power consumption: 18 W<br>Maximum power consumption: 48 W   |
| Display:           | 10.4" TFT LCD  |
| Resolution:        | 1024 x 768 pixels  |
| Aspect ratio:      | 4:3  |
| Brightness:        | 400 cd/m <sup>2</sup><br>800 cd/m <sup>2</sup> (High Brightness)   |
| Colors:            | 16.7 million   |
| Reading angle:     | 80/80/80/80 (L/R/U/D)  |
| Touch screen:      | capacitive touch   |
| Glass hardness:    | 6H   |
| Processor:         | RK3399 quad-core chip<br>Dual Core Cortex-A53 up to 1.4 GHz<br>Quad-Core Cortex-A72 up to 1.8 GHz  |
| RAM:               | 4 GB DDR3 RAM  |
| Storage:           | Onboard 64 GB eMMC NAND Flash  |
| Interfaces:        | USB: 1x USB 3.0 type A, 1x USB 2.0 type A<br>Serial DB9: 1x RS-232<br>12-pin screw terminal: 1x RS-485, 1x RS-232, 1x TTL, 3x GPIO<br>Ethernet: 1x 10/100/1000 BaseT(X), RJ45, galvanically isolated<br>Display: 1x HDMI output<br>Audio output: 3.5 mm jack<br>Memory card slot: microSD slot<br>Sim card slot: Standard SIM (without function as standard)<br>WLAN: 1x 802.11 a/b/g/n/ac/ax<br>Bluetooth: 1x Bluetooth 5.0 |

|                        |   |
|------------------------|---|
| Housing:               | Robust aluminum housing   |
| Assembly:              | VESA 100 x 100 and/or 75 x 75<br>Panel mounting   |
| Protection class:      | Front IP65  |
| Weight:                | approx. 2.4 kg  |
| Dimensions (WxHxD):    | 265.6 mm x 213 mm x 61 mm   |
| Ambient conditions:    | Operation: -10 °C to +60 °C,<br>Optional WT: -20 °C to +70 °C<br>High Brightness: -20 °C to +70 °C<br>Storage: -20 °C to +70 °C<br>Up to 95 % r. h., non-condensing |
| Certifications:        | CE<br>FCC Class A<br>CCC  |
| Operating system:      | Android<br>Android + AutomationBrowser<br>(standard, for SAIA visualizations on request)  |
| Scope of delivery:     | 1 x device<br>1 x mounting material   |
| Customs tariff number: | 84714100  |
| Manufacturer:          | Wachendorff Process Technology  |

### Products Order no.

WPC005-104CAT04064AAV02P 10.4" web panel, capacitive touch.

WPC005-104CAT04064AAV02P-A 10.4" web panel, capacitive touch, automation browser.

### Accessories Order no.

PPC-PWRCRD\_01 Mains cable / connection cable E+F CEE 7/7 to C13 1.5 m

WPC-PWRADAP\_24VDC2.5A External power supply unit for WebPanel, 230 VAC to 24 VDC with hollow connector and C14 plug

ETHSWG8C1 8-port Ethernet switch, Gigabit, unmanaged

WLANANT20 Magnetic base antenna with SMA-R connector  
2.4 GHz@2 dBi with 1.8 m cable

WLANANT22 Antenna with screw mounting and SMA-R connector  
2.4 GHz@2 dBi, 2 m cable

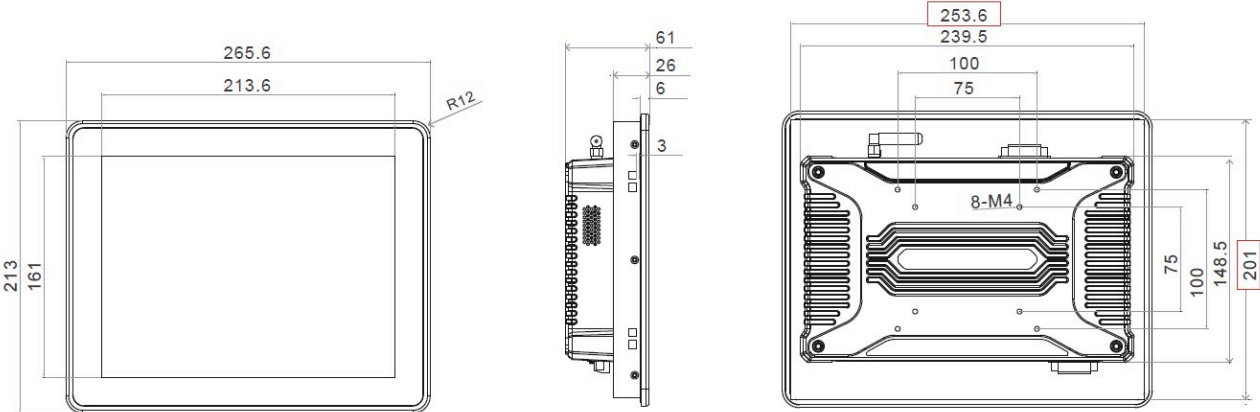
---

|                  |   |
|------------------|---|
| WLANANT55        | Magnetic base antenna with RP-SMA connector<br>2.4 GHz@5 dBi with 1.8 m cable   |
| PPC-Stand_01     | Industrial monitor/display stand, VESA 100x100, black                           |
| PPC-Stand_02     | Industrial monitor/display stand, VESA 100x100, silver                          |
| PPC-WALL-VESA-01 | VESA wall mount metal, 75 x 75, 100 x100, black, including screw accessory pack |

---

**Drawings**

**Dimensions (mm) and STEP file/viewer:**





Wachendorff Prozesstechnik GmbH & Co. KG  
Industriestrasse 7 • 65366 Geisenheim  
Germany

Phone: +49 (0) 67 22 / 99 65 - 20  
E-Mail: [wp@wachendorff.de](mailto:wp@wachendorff.de)  
[www.wachendorff-prozesstechnik.de](http://www.wachendorff-prozesstechnik.de)

