

15.0 inch WebPanel WPC005-150CAT



- 15.0" brilliant TFT-LCD graphic display, 1024 x 768
- Robust aluminum housing, low installation depth
- High protection class IP65, frameless design
- Integrated WiFi and Bluetooth
- Fanless design

<https://www.wachendorff-prozesstechnik.de/en/WPC005-150CAT>

Description

The Series 2 WebPanels with the RK3399 chipset are available in sizes from 10.1" to 21.5" and can be equipped with either a projected capacitive, resistive or non-touch screen. Particularly noteworthy is the particularly narrow display edge, which enables an almost frameless design.

The RK3399 chipset has a quad-core Cortex-A53 with up to 1.4 GHz and dual-core Cortex-A72 with 1.8 GHz. The housings are IP65 rated at the front and have a very compact and robust design thanks to the specially designed aluminum housing. The low installation depth means that the displays can be used almost anywhere.

Product details

Power supply:	Hollow plug 5.5 x 2.5 mm: 12 VDC to 36 VDC Screw terminal: 12 VDC to 36 VDC
Power consumption:	Typical power consumption: 18 W Maximum power consumption: 48 W
Display:	15.0" TFT LCD
Resolution:	1024 x 768 pixels
Aspect ratio:	4:3
Brightness:	300 cd/m ² 1000 cd/m ² (High Brightness)
Colors:	16.7 million
Reading angle:	89/89/89/89 (L/R/U/D)
Touch screen:	capacitive touch
Glass hardness:	6H
Processor:	RK3399 quad-core chip Dual Core Cortex-A53 up to 1.4 GHz Quad-Core Cortex-A72 up to 1.8 GHz
RAM:	4 GB DDR3 RAM
Storage:	Onboard 64 GB eMMC NAND Flash
Interfaces:	USB: 1x USB 3.0 type A, 1x USB 2.0 type A Serial DB9: 1x RS-232 12-pin screw terminal: 1x RS-485, 1x RS-232, 1x TTL, 3x GPIO Ethernet: 1x 10/100/1000 BaseT(X), RJ45, galvanically isolated Display: 1x HDMI output Audio output: 3.5 mm jack Memory card slot: microSD slot Sim card slot: Standard SIM (without function as standard) WLAN: 1x 802.11 a/b/g/n/ac/ax Bluetooth: 1x Bluetooth 5.0

Housing:	Robust aluminum housing
Assembly:	VESA 100 x 100 and/or 75 x 75 Panel mounting
Protection class:	Front IP65
Weight:	approx. 4.4 kg
Dimensions (WxHxD):	365.5 mm x 289.5 mm x 64.5 mm
Ambient conditions:	Operation: -10 °C to +60 °C, Optional WT: -20 °C to +70 °C High Brightness: -20 °C to +70 °C Storage: -20 °C to +70 °C Up to 95 % r. h., non-condensing
Certifications:	CE FCC Class A CCC
Operating system:	Android Android + AutomationBrowser (standard, for SAIA visualizations on request)
Scope of delivery:	1 x device 1 x mounting material
Customs tariff number:	84714100
Manufacturer:	Wachendorff Process Technology

Products Order no.

WPC005-150CAT04064AAV02P-A	15.0" web panel, capacitive touch, automation browser.
WPC005-150CAT04064AAV02P	15.0" web panel, capacitive touch.

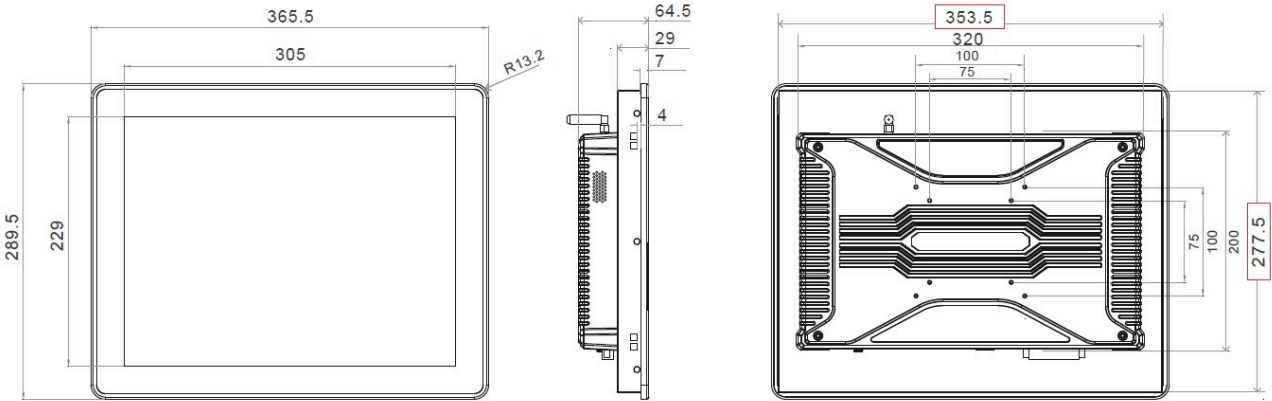
Accessories Order no.

PPC-PWRCRD_01	Mains cable / connection cable E+F CEE 7/7 to C13 1.5 m
WPC-PWRADAP_24VDC2.5A	External power supply unit for WebPanel, 230 VAC to 24 VDC with hollow connector and C14 plug
ETHSWG8C1	8-port Ethernet switch, Gigabit, unmanaged
WLANANT20	Magnetic base antenna with SMA-R connector 2.4 GHz@2 dBi with 1.8 m cable
WLANANT22	Antenna with screw mounting and SMA-R connector 2.4 GHz@2 dBi, 2 m cable

WLANANT55	Magnetic base antenna with RP-SMA connector 2.4 GHz@5 dBi with 1.8 m cable
PPC-WALL-VESA-01	VESA wall mount metal, 75 x 75, 100 x100, black, including screw accessory pack
PPC-Stand_01	Industrial monitor/display stand, VESA 100x100, black
PPC-Stand_02	Industrial monitor/display stand, VESA 100x100, silver

Drawings

Dimensions (mm) and STEP file/viewer:





Wachendorff Prozesstechnik GmbH & Co. KG
Industriestrasse 7 • 65366 Geisenheim
Germany

Phone: +49 (0) 67 22 / 99 65 - 20
E-Mail: wp@wachendorff.de
www.wachendorff-prozesstechnik.de

