

15-inch Industrial Control Panel-PC with capacitive touch, PPCCOA-150A



- 15" LCD, 1024x768 pixels
- Projected capacitive touchscreen
- Intel® Celeron® J6412
- Anodized aluminium housing
- IP65 all round
- Input voltage: 12 to 24 VDC
- Fanless cooling system
- Supports support arm mounting from above or below

<https://www.wachendorff-prozesstechnik.de/en/ppccoa-150a>

Description

The PPCCOA series is a powerful series of robust industrial Panel-PCs designed for demanding environments. The Panel-PCs in this series have a capacitive touchscreen and a fanless, all-round IP65-protected housing that offers a high level of protection against dust and water jets. The devices are optionally available with Intel® Celeron, or Core™ processors and offer different display sizes to meet different requirements.

The front panel is individually configurable and can contain integrated operating buttons such as emergency stop, selection and push buttons so that the devices are ready for immediate use for industrial control tasks. For maximum flexibility, the Panel-PCs support swivel arm mounting and offer a variety of interfaces for seamless integration into existing systems.

Product details

Power supply:	Input voltage: 12 to 24 V DC ±10 % Protective functions: Reverse polarity protection, overvoltage protection, overcurrent protection Connection: 1 x 2-pin Phoenix connector for DC input Operation: 1 x voltage switch with illumination on the rear of the housing
Power consumption:	Minimum 18 W
Display:	15" LCD
Resolution:	1024 x 768 pixels
Aspect ratio:	4:3
Brightness:	400 cd/m ²
Display MTBF:	50.000 h
Contrast ratio:	1000:1
Reading angle:	(L)89 / (R)89 / (T)89 / (B)89
Touch screen:	Projected capacitive touchscreen
Processor:	Intel® Celeron® processor J6412 (1.5 MB cache, 2.0 GHz up to 2.6 GHz), TDP 15 W
RAM:	1 x 260-pin DDR4 SODIMM, up to 16GB
SSD/HDD:	1 x 2.5" HDD/SSD 1 x mSATA
Interfaces:	USB: 4 x USB3.0/2.0/1.0 Serial: 2 x RS232/485 (optional), 2 x 3-pin Phoenix connector Ethernet: 2 x Intel 1000Mbps Ethernet, optional 4 x Intel 1000Mbps Ethernet HDMI: HDMI 1.2

Housing:	Anodized aluminium housing
Control elements:	Illuminated pushbutton "white" Illuminated pushbutton "red" Illuminated pushbutton "yellow" Illuminated pushbutton "green" Illuminated pushbutton "blue" Pushbutton "black" Illuminated selector switch Emergency stop button Key switch Front USB 2.0 Maximum number of buttons on the 15.0" model: 6
Assembly:	Swivel arm mount for Rittal CP-40
Protection class:	IP65 all round
Weight:	5.3 kg
Dimensions (WxHxD):	370 x 338 x 135mm
Ambient conditions:	Operating temperature: 0 °C to +50 °C Storage temperature: -20 °C to +60 °C Humidity: 5 to 95 % at 40 °C (non-condensing) Shock resistance: during operation 10 g peak acceleration (duration 11 ms), in accordance with IEC 60068-2-27 EMV: Class B
Operating systems:	Windows 10 IoT LTSC Windows 11 IoT LTSC
Customs tariff number:	84715000
Manufacturer:	Wachendorff Prozesstechnik GmbH & Co. KG

Products Order no.

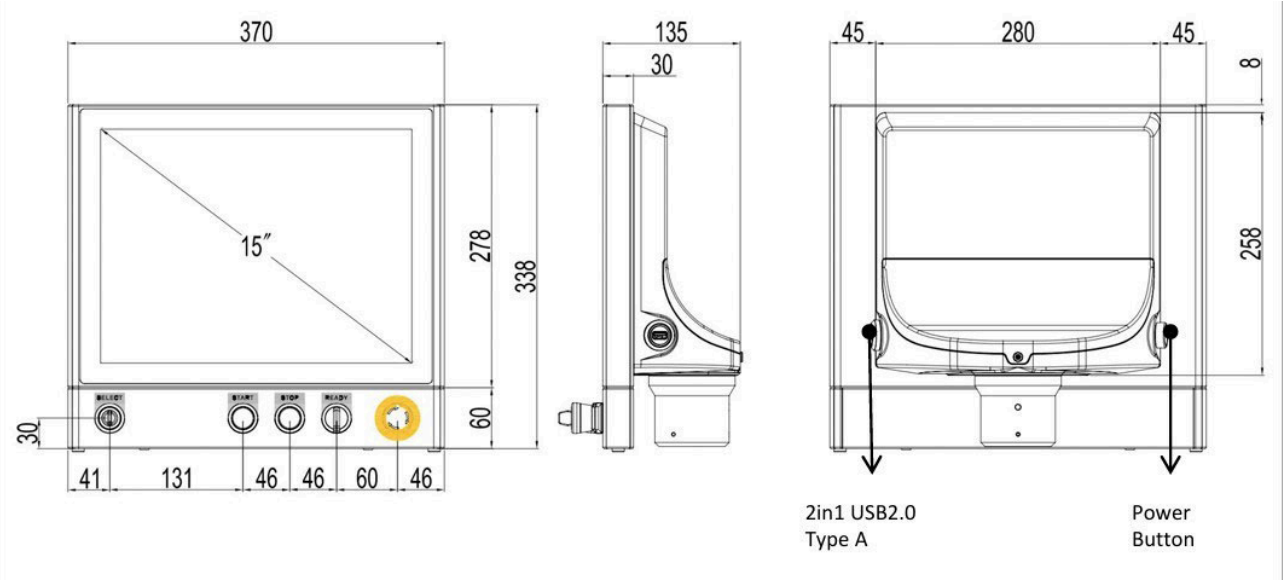
PPCCOA-150A	15 inch Industrial Control Panel-PC with Intel® Celeron and capacitive touch
-------------	--

Accessories Order no.

PPCCOA_PC_60W	60W power supply incl. EU power cable for Intel Celeron J6412
PPCCOA_4LAN	4x LAN extension (4x EtherNet ports)

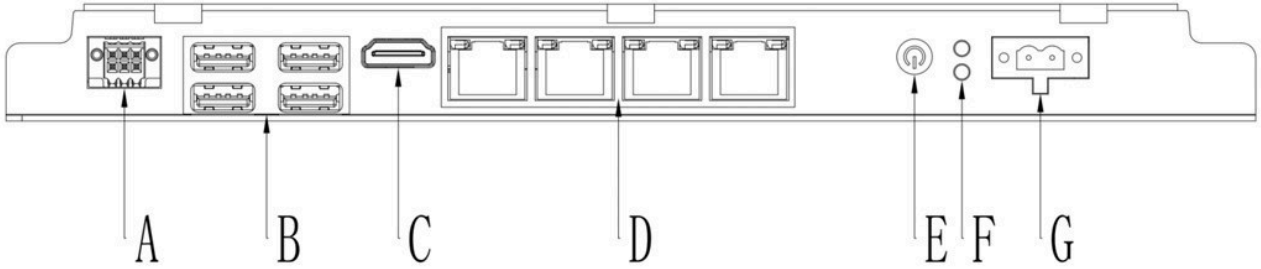
Drawings

Dimensions (mm):



Drawings

Internal I/O:



- A: 2*RS232/485
- B: 4*USB3.0
- C: HDMI
- D: 4*LAN
- E: Power button
- F: HDD/Power LEDs
- G: DC-in

A				
	Pin	Definition	Pin	Definition
	1	TX1/A1	2	GND
	3	RX1/B1	4	TX2/A2
	5	RX2/B2	6	GND



Wachendorff Prozesstechnik GmbH & Co. KG
Industriestrasse 7 • 65366 Geisenheim
Germany

Phone: +49 (0) 67 22 / 99 65 - 20
E-Mail: wp@wachendorff.de
www.wachendorff-prozesstechnik.de

