

**Industrial stand / VESA 100x100,
Black or silver
PPC stand 01 & 02**



- **Sturdy aluminum body:** Significantly more robust than plastic versions
- **Intelligent design:** For applications with limited space - stand can be rotated by 180
- **Ergonomically adjustable:** Up to 70° tilt angle - ideal for individual workplace adjustment
- **Universally applicable:** Compatible with Wachendorff PPC002/005, WPC002/005, DPL002/005
- **VESA:** 100x100

https://www.wachendorff-prozesstechnik.de/en/ppc-stand_01_02-en

Description

The PPC Stand 01 & 02 stands are compact, stable panel PC, WebPanel and display stands. Made from robust aluminum alloy, they provide a secure hold and an elegant look at the same time. The generous tilt angle of 70° makes the stands ideal for ergonomic operating solutions in industrial environments. Thanks to the standardized **VESA 100x100**, they are compatible with numerous devices.

Product details

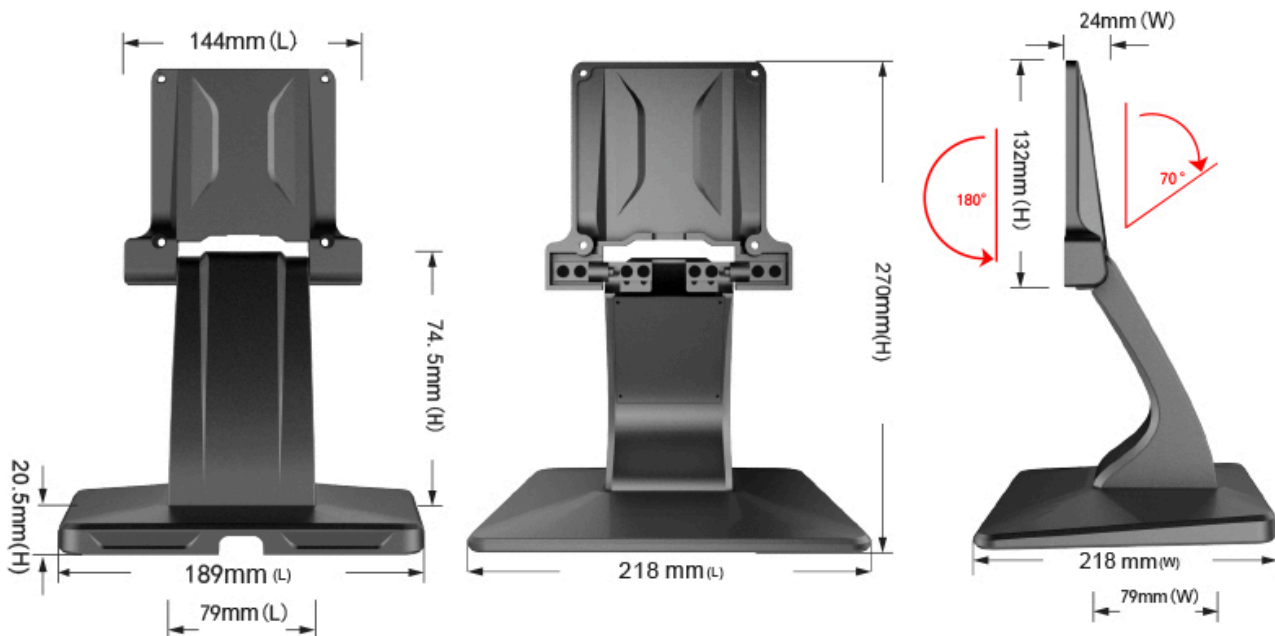
Colors:	Black or silver
Material:	Aluminum alloy
Assembly:	VESA 100x100 Freestanding stand with tilt function up to 70°
Weight:	approx. 1.4 kg
Dimensions (WxHxD):	218mm (W) x 270mm (H) x 218mm (D)
Scope of delivery:	1 x stand incl. mounting material
Customs tariff number:	76169990

Products Order no.

PPC-Stand_01	Industrial monitor/display stand, VESA 100x100, black
PPC-Stand_02	Industrial monitor/display stand, VESA 100x100, silver

Drawings

Dimensions (mm):



Application: industrial monitor/industrial all in one pc X86/ industrial android all in one PC.

Product material: aluminium alloy

Distance between screw holes: standard 100*100mm

Products color: black silver

Bearing limits:8-10KG Gross weight:1.4KG



Wachendorff Prozesstechnik GmbH & Co. KG
Industriestrasse 7 • 65366 Geisenheim
Germany

Phone: +49 (0) 67 22 / 99 65 - 20
E-Mail: wp@wachendorff.de
www.wachendorff-prozesstechnik.de

