

7 inch Panel PC ARCHMI-807BP



- 7" TFT LCD, 800 x 480 pixels
- Projected capacitive touch
- Processor: Intel® Celeron® J6412 (2.0 GHz, 1.5MB L2 cache)
- Fanless cooling system
- Reading angle horizontal 160°, vertical 160

<https://www.wachendorff-prozesstechnik.de/en/ARCHMI-807BP>

Description

The ARCHMI-8B series is based on an Intel® Celeron® J6412 processor with 2.0 GHz.

The industrial panel PCs in this series are available in display sizes from 7" to 23.8", with either projected capacitive or resistive touch. The projected capacitive touch enables multi-touch operation with a corresponding operating system. If pressure-sensitive operation is required (e.g. with gloves), the resistive touch is the right choice. The front panels are absolutely flush with the die-cast aluminum housing. The front of the housing is IP66 rated. The unique fanless thermal design of the die-cast aluminum housing enables effective temperature control. The ARCHMI-IPC can be optionally equipped with a High Brightness LCD and/or Optical Bonding for an outstanding display, even under difficult conditions. This high-performance yet highly energy-efficient processor family is used, for example, in factory automation, remote data acquisition and in the most common industrial applications.

Product details

| | |
|--------------------|--|
| Power supply: | 9 VDC to 36 VDC |
| Power consumption: | 30 W |
| Display: | 7" TFT LCD |
| Resolution: | 800 x 480 pixels |
| Aspect ratio: | 5:3 |
| Brightness: | 350 cd/m ² 1000 cd/m ² (optional high-brightness LCD) |
| Backlight: | 40,000 h running time |
| Colors: | 262 thousand |
| Reading angle: | H: 160° / V: 160° H: 160° / V: 160° (optional high-brightness LCD) |
| Touch screen: | Projected capacitive touch |
| Processor: | Intel Celeron J6412 Processor (2.0 GHz, 1.5MB L2 cache) |
| RAM: | 1 x 260-pin SO-DIMM up to 32GB DDR4 3200MHz |
| SSD/HDD: | 1 x M.2 B-Key slot; (Support SATA3; 2242) |

| | |
|------------------------|---|
| Interfaces: | USB: 2 x USB 3.2 Gen2 type A / 2x USB 2.0 type A Serial: COM1: RS232 / RS422 / RS485 Ethernet: 2x 2.5 GbE, RJ45 Audio: Audio output Power supply: 1 x 3-pin terminal block, 1 x 2-pin power switch connection |
| Expansion slots | 1 x Mini PCIe slot 1 x M.2 E-key 1 x Nano SIM card slot |
| Housing: | Die-cast aluminum |
| Assembly: | VESA 75 x 75; panel mounting |
| Protection class: | IP66 on the front |
| Dimensions (WxHxD): | 202 mm x 149 mm x 40 mm |
| Weight: | 1.1 Kg |
| Ambient conditions: | Operation: 0 °C to +50 °C (optionally -20 °C to +60 °C) Storage: -30 °C to +70 °C 10% to 95 % r.H., non-condensing. |
| Certifications: | CE/FCC Class B/UL |
| Operating systems: | Windows® 10 IoT Windows® 11 IoT |
| Options: | Extended temperature range -20 °C to +60 °C VESA stand 4G LTE/Wi-Fi/Bluetooth |
| Scope of delivery: | Device 1 x power supply unit 1 x mounting material |
| Customs tariff number: | 84715000 |
| Manufacturer: | Aplex Technology Inc. |

Products Order no.

| | |
|----------------|--|
| ARCHMI-S-807BP | 7" industrial panel PC, projected capacitive touch |
|----------------|--|

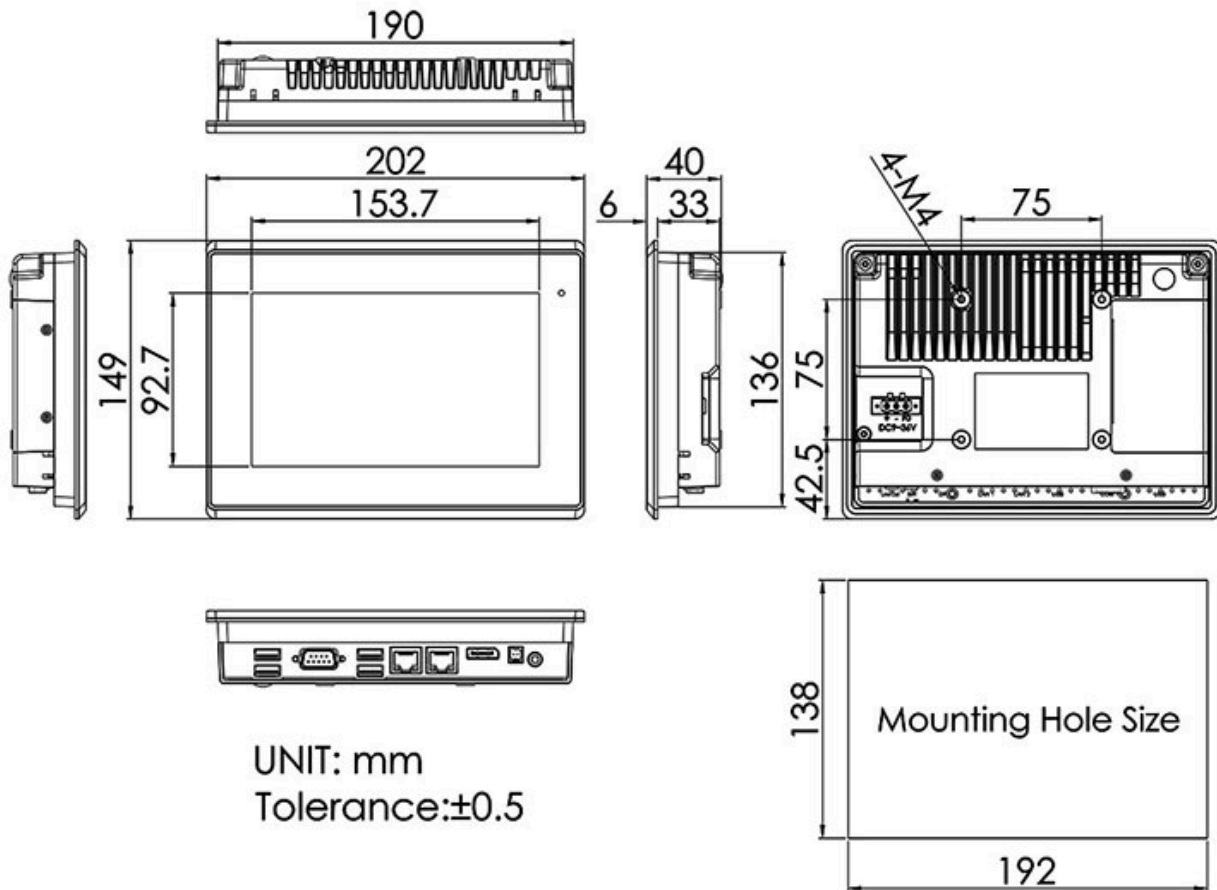
Accessories Order no.

| | |
|-----------|--|
| ETHSWG5C | 5-way Ethernet switch, Gigabit, unmanaged |
| ETHSWG8C1 | 8-port Ethernet switch, Gigabit, unmanaged |

| | |
|------------|---|
| KABETH10 | Patch cable, RJ45 UTP CCA, CAT5e white, 0.3 m |
| KABETH11 | Patch cable, RJ45 UTP CCA, CAT5e white, 1 m |
| KABETH12 | Patch cable, RJ45 UTP CCA, CAT5e white, 2 m |
| IPC_DIO_2P | 2-pin connector plug, digital input |

Drawings

Dimensions (mm) and STEP file/viewer:





Wachendorff Prozesstechnik GmbH & Co. KG
Industriestrasse 7 • 65366 Geisenheim
Germany

Phone: +49 (0) 67 22 / 99 65 - 20
E-Mail: wp@wachendorff.de
www.wachendorff-prozesstechnik.de

