

## 10.1 inch Panel PC ARCHMI-810B



- 10.1" TFT LCD, 1280 x 800 pixels
- Resistive touch
- Processor: Intel® Celeron® J6412 (2.0 GHz, 1.5MB L2 cache)
- Fanless cooling system
- Reading angle horizontal 170°, vertical 170°

<https://www.wachendorff-prozesstechnik.de/en/ARCHMI-810B>

### Description

The ARCHMI-8B series is based on an Intel® Celeron® J6412 processor with 2.0 GHz.

The industrial panel PCs in this series are available in display sizes from 7" to 23.8", with either projected capacitive or resistive touch. The projected capacitive touch enables multi-touch operation with a corresponding operating system. If pressure-sensitive operation is required (e.g. with gloves), the resistive touch is the right choice. The front panels are absolutely flush with the die-cast aluminum housing. The front of the housing is IP66 rated. The unique fanless thermal design of the die-cast aluminum housing enables effective temperature control. The ARCHMI-IPC can be optionally equipped with a high brightness LCD and/or optical bonding for an outstanding display, even under difficult conditions. This high-performance yet highly energy-efficient processor family is used, for example, in factory automation, remote data acquisition and in the most common industrial applications.

### Product details

Power supply:	9 VDC to 36 VDC
Power consumption:	34 W
Display:	10.1" TFT LCD
Resolution:	1280 x 800 pixels
Aspect ratio:	16:10
Brightness:	350 cd/m <sup>2</sup> 1000 cd/m <sup>2</sup> (optional high-brightness LCD)
Backlight:	30,000 h runtime 50,000 h runtime (optional high-brightness LCD)
Colors:	16,7 M 16.2 M (optional high-brightness LCD)
Reading angle:	H: 170° / V: 170° H: 170° / V: 170° (optional high-brightness LCD)
Touch screen:	Resistive touch
Processor:	Intel Celeron J6412 Processor (2.0 GHz, 1.5MB L2 cache)
RAM:	1 x 260-pin SO-DIMM up to 32GB DDR4 3200MHz
SSD/HDD:	1 x M.2 B-Key slot; (Support SATA3; 2242/2280)

Interfaces:	USB: 2 x USB 3.2 Gen2 type A / 2x USB 2.0 type A Serial: COM1: RS232 / RS422 / RS485 Ethernet: 2x 2.5 GbE, RJ45 Audio: Audio output Power supply: 1 x 3-pin terminal strip, 1 x 2-pin power switch connection
Expansion slots	1 x Mini PCIe slot 1 x M.2 E-key 1 x Nano SIM card slot
Housing:	Die-cast aluminum
Assembly:	VESA 75 x 75; panel mounting
Protection class:	IP66 on the front
Dimensions (WxHxD):	285 mm x 189 mm x 48.9 mm
Weight:	1.85 Kg
Ambient conditions:	Operation: 0 °C to +50 °C (optionally -20 °C to +60 °C) Storage: -30 °C to +70 °C 10% to 95 %r.h., non-condensing.
Certifications:	CE/FCC Class B/UL
Operating systems:	Windows® 10 IoT Windows® 11 IoT

Options:	<p>Extended temperature range -20 °C to +60 °C VESA mount</p> <p>4G LTE / WLAN / Bluetooth 4 x USB 2.0 type A (TB-528U4) 4 x USB 2.0 type A + 1 x mini PCIe + 1 x SIM card slot (TB-528U4ME1) 2 x COM (RS-232) (TB-528C2) 1 x COM (RS-232) + 2 x USB 2.0 (TB-528C1U2) 2 x COM (RS-232) + 1 x Mini PCIe slot + 1 x SIM card slot (TB-528C2ME1) 2 x COM (RS-422/485, galvanically isolated) (TB-528C2I) 2 x CAN (TB-528CAN2) 1 x LAN + 2 x USB 2.0 type A (TB-528E1U2) 1 x 2-watt loudspeaker 1 x automatic brightness adjustment 1 x LAN (25W non-isolated PoE PD) + 2 x USB 2.0 type A (TB-528NE1U2POE) 1 x LAN (25 W, galvanically isolated PoE) + 2 x USB 2.0 type A (TB-528E1U2UPOE) 1 x backup battery 21 W / 10.8 V / 1.95 Ah (3S1P)</p> <p>With the TB-528 series, either a speaker or a backup battery can be installed, but not both at the same time.</p>
Scope of delivery:	<p>Device 1 x power supply unit 1 x mounting material</p>
Customs tariff number:	84715000
Manufacturer:	Aplex Technology Inc.

#### Products Order no.

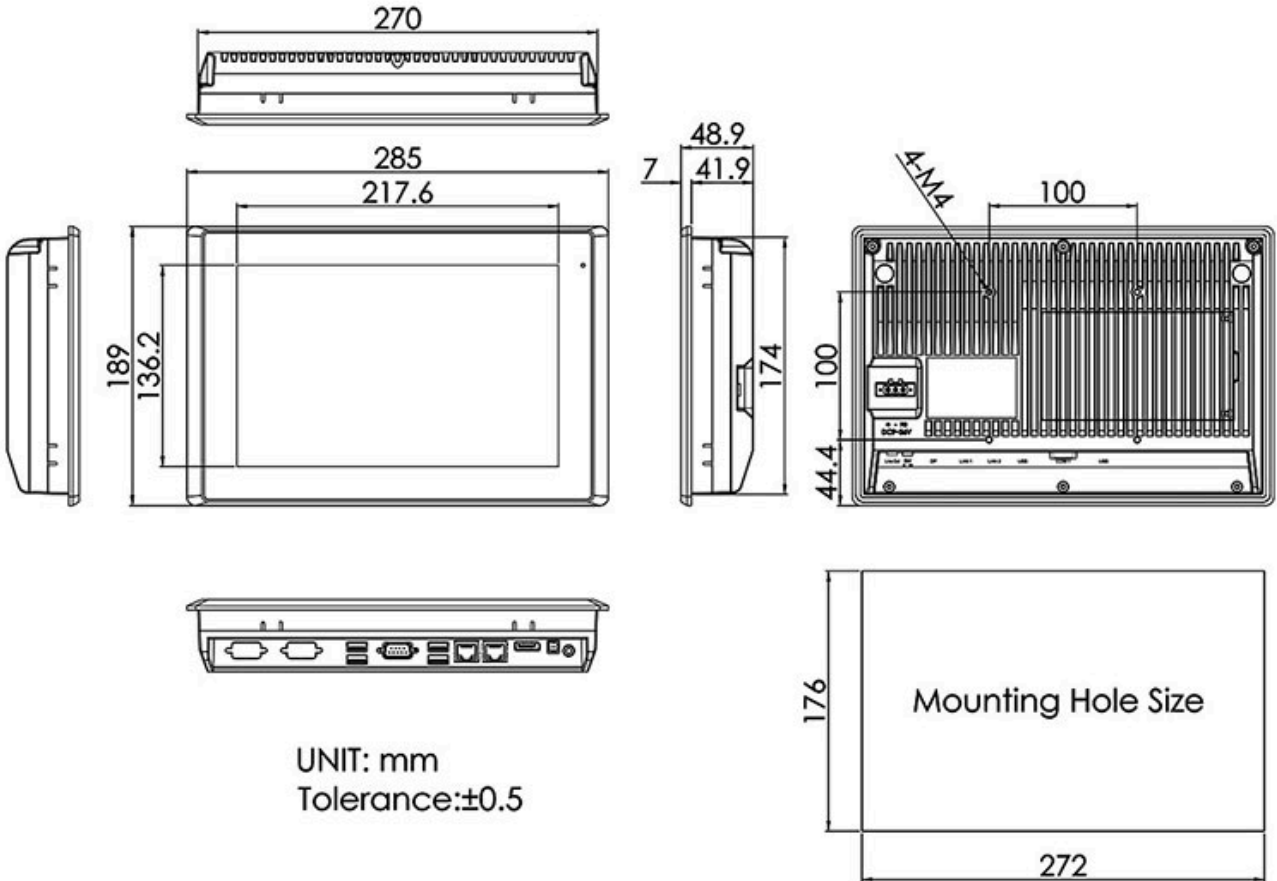
ARCHMI-S-810B	10.1" industrial panel PC, resistive touch
---------------	--

#### Accessories Order no.

ETHSWG5C	5-way Ethernet switch, Gigabit, unmanaged
ETHSWG8C1	8-port Ethernet switch, Gigabit, unmanaged
KABETH10	Patch cable, RJ45 UTP CCA, CAT5e white, 0.3 m
KABETH11	Patch cable, RJ45 UTP CCA, CAT5e white, 1 m
KABETH12	Patch cable, RJ45 UTP CCA, CAT5e white, 2 m
IPC_DIO_2P	2-pin connector plug, digital input

**Drawings**

Dimensions (mm) and STEP file/viewer:





Wachendorff Prozesstechnik GmbH & Co. KG  
Industriestrasse 7 • 65366 Geisenheim  
Germany

Phone: +49 (0) 67 22 / 99 65 - 20  
E-Mail: [wp@wachendorff.de](mailto:wp@wachendorff.de)  
[www.wachendorff-prozesstechnik.de](http://www.wachendorff-prozesstechnik.de)

