

## WLAN antenna WLANANT22



- Suitable for 2.4GHz WLAN
- M12 screw mounting
- Connection cable 2m with RP-SMA connector
- Antenna gain 2dBi
- Can be used outdoors (UV-resistant and waterproof)

<https://www.wachendorff-prozesstechnik.de/en/wlanant22>

### Description

The antenna is screwed on using an M12 thread. The connection cable has a length of 2 meters. Its resistance to UV radiation makes it suitable for outdoor use. The antenna can be used with various WLAN products. The antenna gain is 2 dBi.

### Product details

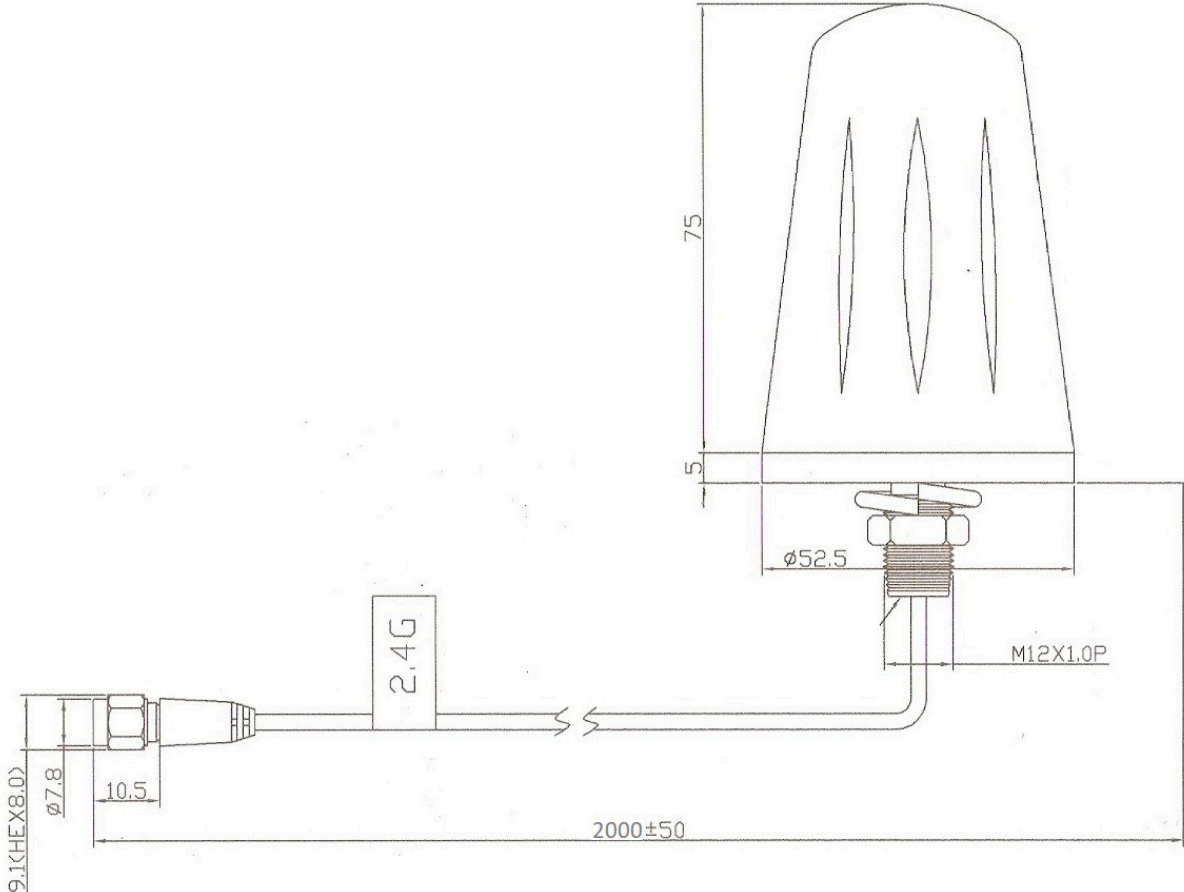
Interfaces:	1x RP-SMA connector
Cable:	2 meter RG174-DS
Frequency range:	2.4 to 2.5 GHz
Antenna gain:	2 dBi
Antenna gain with cable:	- 2.4 dBi
Impedance:	50 Ohm
Art:	Omnidirectional antenna
Weight:	166 g
Dimensions:	Height: 80 mm, diameter: 52.5 mm
Operating temperature:	-30 °C to +85 °C
Assembly:	Screw mounting M12
Protection class:	IP67

### Products Order no.

WLANANT22	Antenna with screw mounting and SMA-R connector 2.4 GHz@2 dBi, 2 m cable
-----------	---

Drawings

Dimensions





Wachendorff Prozesstechnik GmbH & Co. KG  
Industriestrasse 7 • 65366 Geisenheim  
Germany

Phone: +49 (0) 67 22 / 99 65 - 20  
E-Mail: [wp@wachendorff.de](mailto:wp@wachendorff.de)  
[www.wachendorff-prozesstechnik.de](http://www.wachendorff-prozesstechnik.de)

