

Frontless HMI cMT-FHDX-820



- High-definition HD 1080p ^{HDMI™} output
- Quad-Core Cortex-A17 CPU with High Performance 3D Processor
- Plays videos in high resolution, video decoding 1080p H.264, with audio
- Supports custom resolutions for 16:9 / 4:3 LCD monitors.
- Supports MPI connection (187.5K)
- 1 Gigabit Ethernet port
- Compact design and DIN rail mounting
- USB 2.0 host
- Integrated 4 GB flash memory and RTC real-time clock
- Integrated galvanic isolation of supply and system voltage

<https://www.wachendorff-prozesstechnik.de/en/cMT-FHDX-820>

Description

The frontless HMI cMT-FHDX-820 from Weintek is a simple and cost-effective solution for visualizing process data on large-screen displays and industrial touch monitors. With its serial interfaces and integrated MPI interface, the TV machine interface is the ideal solution for easy-to-implement and brilliant visualizations on large screens. The highly visible display of process data or KPI values, for example, helps you to keep a better eye on your production. The cMT-FHDX-820 from Weintek fulfills all the criteria of a modern operating device, but the image output is provided via an HDMI interface. When using a touch-capable monitor, operation is also possible via this.

The very compact and fanless cMT-FHDX-820 is designed for a wide temperature range and will fit into any control cabinet.

The quad-core 32-bit RISC with a clock rate of 1.6 GHz is a high-performance dedicated 3D processor and ensures very high-performance data processing.

Thanks to the integrated battery-buffered real-time clock, secure data storage with a reliable time stamp is possible.

Product details

Memory:	1 GB RAM 4 GB Flash
CPU and core logic:	Quad-Core 32-bit RISC 1.6GHz (High Performance dedicated 3D Processor) Linux based operating system
USB interface:	USB Host: 1x USB 2.0 USB client: No
Ethernet interface:	LAN1: 1x 10/100/1000 Base-T LAN2: 1x 10/100 Base-T
Power supply:	24±20% VDC; 850 mA at 24 VDC. Connection via detachable 3-pin terminal strip.
Printed circuit board coating:	PCB
Protection class:	IP20
Ambient conditions:	Storage temperature: -20 °C to +60 °C Operating temperature: 0 °C to 50 °C Relative humidity: 10 % to 90 % (non-condensing)
Certificates:	CE cULus
Software:	EasyBuilderPro V6.07.02 or newer version EasyAccess 2.0 license optional CODESYS® (optional) OPC UA Server license (optional)
Customs tariff number:	85371098

Manufacturer:	Weintek Labs, Inc
---------------	-------------------

Products Order no.

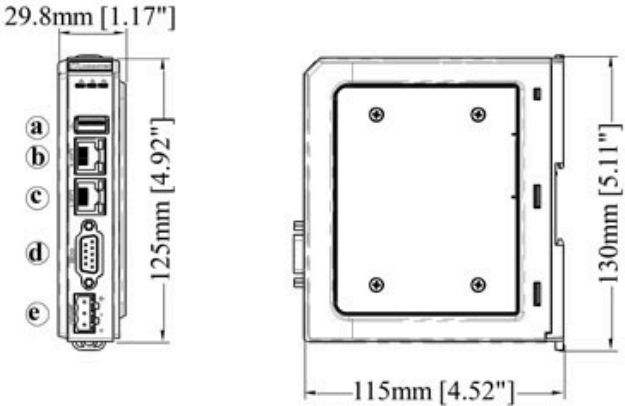
cMT-FHDX-820	Frontless HMI, Quad-core Cortex-A17, FHD, HDMI, Customizable resolution
--------------	---

Accessories Order no.

WBGKAB002	Cable 2 m, HDMI to DVI
DRS4-24A	Power supply unit for DIN rail, 85 to 264 VAC, 24 VDC 4.2 A, screw terminal
USBHUB07	7-way USB hub
ETHSWG8C1	8-port Ethernet switch, Gigabit, unmanaged

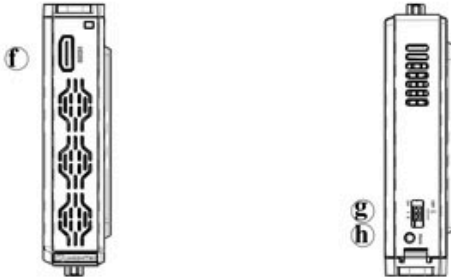
Drawings

Dimensions & interfaces



Frontansicht

Seitenansicht



Draufsicht

Untersicht

Schnittstellen

a	USB Host Port	f	HDMI Port
b	LAN 2	g	DIP Switch
c	LAN 1	h	Reset Button
d	COM1: RS-232, COM2: RS-485 2W/4W, COM3: RS-485 2W		
e	Power Connector		

Pin Assignment:

COM1 [RS232], COM2 / COM3 [RS485], 9 Pin, Male, D-sub

PIN#	COM1 [RS-232]	COM2 [RS-485]		COM3 [RS-485] 2W
		2W	4W	
1				Data+
2	RxD			
3	TxD			
4				Data-
5	GND			
6		Data+	Rx+	
7		Data-	Rx-	
8			Tx+	
9			Tx-	

Drawings

Step file



Step file as .rar

cMTFDHX.rar



Wachendorff Prozesstechnik GmbH & Co. KG
Industriestrasse 7 • 65366 Geisenheim
Germany

Phone: +49 (0) 67 22 / 99 65 - 20
E-Mail: wp@wachendorff.de
www.wachendorff-prozesstechnik.de

