

Advanced HMI, 21.5"WVA , 1920 x 1080 LCD, cMT3218XP



- 21.5" 1920 x 1080 LCD
- Fanless cooling system
- Integrated 4 GB flash memory and RTC
- Wide input voltage range: 24±20% VDC
- IP66 front panel, NEMA4 compliant
- EasyAccess 2.0 license optional

<https://www.wachendorff-prozesstechnik.de/en/cmt3218xp>

Description

The Advanced HMI cMT3218XP from Weintek with its quad-core RISC processor enables very high performance in the visualization of data. The cMT3218XP not only works like an ordinary HMI, but is also a cMT (HMI) Server, which provides up to 9 additional operating instances. This makes it possible to monitor and control the visualization of the cMT3218XP via the cMT Viewer APP on a Panel-PC (PPC002/005), mobile devices.

The IIoT standard protocols OPC UA and MQTT enable you to communicate between your machines / systems up to the higher-level control / management systems. This ensures simultaneous monitoring and control of your transmission data, whether locally or on a Cloud platform such as AWS, Azure or GoogleIoT. The optional license for the EasyAccess2.0 remote access service allows you to visualize the HMI on end devices such as PCs, smartphones and tablets from an external location. With EasyAccess2.0, you can access devices in the network via the cMT3218XP using the "Path Through" method.

Product details

Display:	Size: 21.5" WVA TFT LCD Resolution: 1920 x 1080 pixels Brightness: 500 cd/m ² Contrast: 1000 : 1 Backlight: LED Backlight life: >30,000 hours Colors: 16.7 million LCD Viewing angle (up/down/left/right): 89/89/89/89 Pixel pitch (mm): 0.24795 (H) x 0.24795 (V)
Touch display:	Type: Tempered glass, capacitive type Hardness scale: 6H
Memory:	Flash: 4 GB RAM: 2 GB
Processor:	Quad-Core RISC

Interfaces:	SD card slot: No USB Host: 2x USB 2.0 USB Client: No Ethernet: LAN1: 10/100/1000 Base-T x1 LAN2: 10/100 Base-T x1 COM Port: Port A: COM2 RS485 2-/4-wire, COM3 RS485 2-wire, CAN Bus Port B: COM1 RS232 4-wire, COM3 RS232 2-wire RS232/RS485 Isolation: No CAN Bus: Yes HDMI: No Audio output: Integrated mono speaker
Real-time clock:	Integrated real-time clock RTC
Power supply:	Input voltage: 24±20% VDC Galvanic isolation (input voltage from system voltage): integrated Current consumption: 1.8 A at 24 VDC Dielectric strength: 500 VAC (1 min.) Insulation strength: >50 MOhm at 500 VDC
Housing:	Aluminum housing
Fastening:	Panel mounting, VESA mounting 100 x 100 mm
Protection class:	NEMA4 / front IP66
Ambient temperature:	Operation: 0 °C to +50 °C. Storage: -20 °C to +60 °C. Relative humidity: 10 % to 90 % (non-condensing) Vibration resistance: 10 to 25 Hz, 2 G in X, Y and Z direction, 30 minutes each
Certificates:	CE
Software:	V6.10.01 or later EasyAccess 2.0 license optional Dashboard (optional) CODESYS® (optional)
Customs tariff number:	85371098
Manufacturer:	Weintek Labs, Inc

Products Order no.

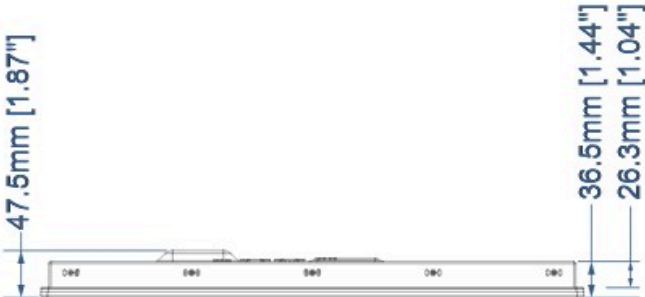
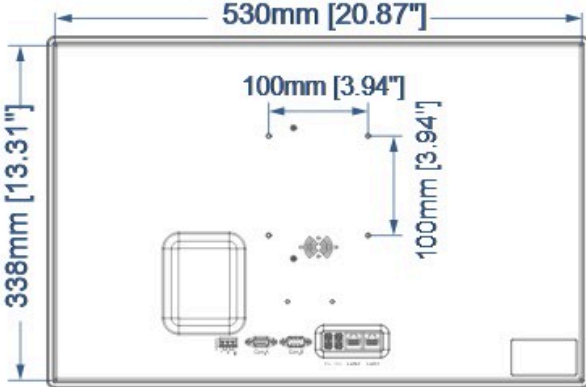
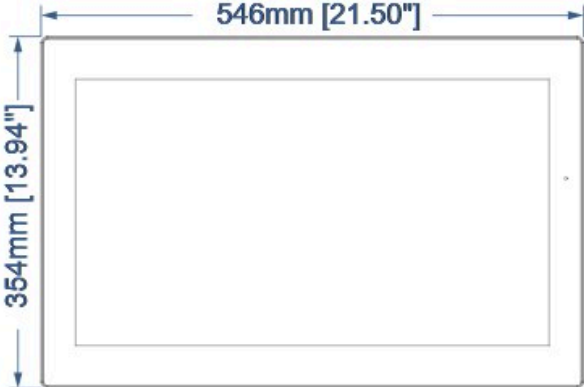
cMT3218XP	Advanced HMI, 21.5", 1920 x 1080 LCD
-----------	--------------------------------------

Accessories Order no.

DRS4-24A	Power supply unit for DIN rail, 85 to 264 VAC, 24 VDC 4.2 A, screw terminal
KABETH12	Patch cable, RJ45 UTP CCA, CAT5e white, 2 m

Drawings

Dimensions and STEP-Data:





Wachendorff Prozesstechnik GmbH & Co. KG
Industriestrasse 7 • 65366 Geisenheim
Germany

Phone: +49 (0) 67 22 / 99 65 - 20
E-Mail: wp@wachendorff.de
www.wachendorff-prozesstechnik.de

