

IloT Gateway, cMT-G02X | COM-Ports



- Remote access to PLCs via EasyAccess 2.0
- OPC UA (Client/Server)
- MQTT
- Modbus TCP/IP Gateway
- MPI 187.5 K
- Compact design and DIN rail mounting
- Fanless cooling system
- Integrated 256 MB flash memory
- Galvanic isolation of the input voltage from the system voltage

<https://www.wachendorff-prozesstechnik.de/en/cmtg02x>

Description

Connect IT and OT systems with each other: These Gateways support various industrial protocols and offer a user-friendly GUI for quick configuration. They are a cost-effective solution for IIoT applications and serve as a communication bridge for older machines. They can also be seamlessly integrated into major Cloud platforms. The Gateways are characterized by compact design, web configuration, SSL/TLS encryption and event/alarm notifications. Various models are available to meet specific requirements and comply with industry standards for communication protocols.

Product details

Memory:	Flash: 256 MB RAM: 256 MB
Processor:	Quad-Core RISC
Interfaces:	SD card slot: No USB Host: 1 x USB 2.0 USB Client: No Ethernet: 10/100 Base-T x 1 COM Port: COM1 RS232 2-wire, COM2 RS485 2-/4-wire, COM3 RS485 2-wire RS485 Isolation: No CAN Bus: No HDMI: No Audio output: No Wi-Fi: IEEE 802.11 b/g/n: 802.11b: max. 19.52 dBm, 802.11g: max. 15.35 dBm, 802.11n: max. 15.28 dBm
Real-time clock:	Integrated real-time clock RTC
Power supply:	Input voltage: 24 VDC \pm 20 % Voltage isolation: integrated Current consumption: 450 mA at 24 VDC Dielectric strength: 500 VAC (1 min) Insulation strength: 50MOhm at 500 VDC
Specifications:	PCB Circuit board coating: Coated circuit board is protected against corrosion and ensures high reliability. Housing: Plastic Dimensions (WxHxD): 27 mm x 130 mm x 115 mm Weight: approx. 180 g Mounting: 35 mm DIN rail

Ambient conditions:	Operating temperature: -20°C to 55°C Storage temperature: -20°C to +70°C Relative humidity: 10% to 90% (non- condensing) Vibration resistance: 10 to 25 Hz (X, Y, Z direction, 2G for 30 min.)
Protection class:	IP20
Certificates:	CE UL Listed
Software:	EasyBuilder Pro V6.09.02 or later versions EasyAccess 2.0 License optional
Customs tariff number:	90328900
Manufacturer:	Weintek Labs, Inc

Products Order no.

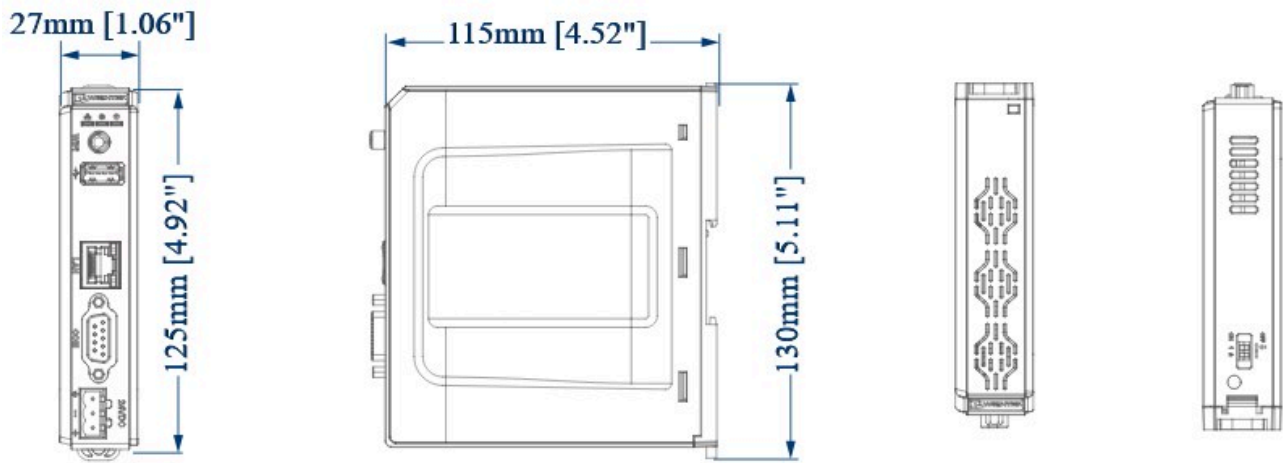
cMT-CTRL01 CODESYS PLC with IIoT Gateway

Accessories Order no.

DRS3-24A Power supply unit for top-hat rail, 85 to
264 VAC, 24 VDC 3 A, screw terminal

Drawings

Dimensions and STEP-Data:





Wachendorff Prozesstechnik GmbH & Co. KG
Industriestrasse 7 • 65366 Geisenheim
Germany

Phone: +49 (0) 67 22 / 99 65 - 20
E-Mail: wp@wachendorff.de
www.wachendorff-prozesstechnik.de

