

cMT-XMBS, robust connection box for cMT-X handheld HMIs and controllers



- Robust connection box for cMT-X handheld HMIs and controllers
- IP66-certified - dust and waterproof
- Compact design for easy installation outside the control cabinet
- Clean and safe cable organization with terminal connections
- Extended connection options compared to the cMT-XMBC

<https://www.wachendorff-prozesstechnik.de/en/cmt-xmbs>

Description

The cMT-XMBS is a robust connection box that has been specially developed for cMT-X handheld HMIs and controllers. It enables clean and secure organization of the cable connections and reliably protects them from external influences. With IP66 certification, the box is dust and water resistant and is ideal for mobile control points and harsh industrial environments. Thanks to its larger design, the cMT-XMBS offers extended connection options compared to the cMT-XMBC.

Product details

Interfaces:	1 x cable connector (Cable Connector) 2 x wiring terminals (Wiring Terminal)
Specifications:	Housing: Plastic Dimensions (WxHxD): 181.1 mm x 101.1 mm x 70 mm Weight: approx. 0.4 kg Mounting: Use six M4 screws, the size of the mounting holes is 4.6 mm.
Ambient temperature:	Operating temperature: 0°C to 55°C Storage temperature: -20 °C to +60 °C Relative humidity: 10% to 90% (non-condensing) Vibration resistance: 10 to 25 Hz (X, Y, Z direction, 2g for 30 min.)
Protection class:	UL Type 4X (for indoor use only) / NEMA4 / IP66
Certificates:	CE cULus listed
Customs tariff number:	85371098
Manufacturer:	Weintek Labs, Inc

Products Order no.

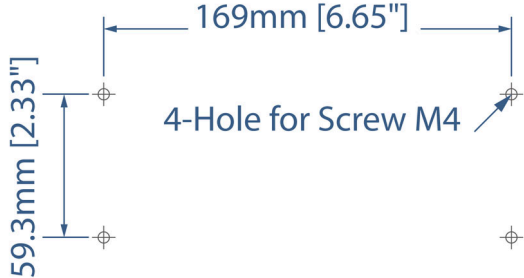
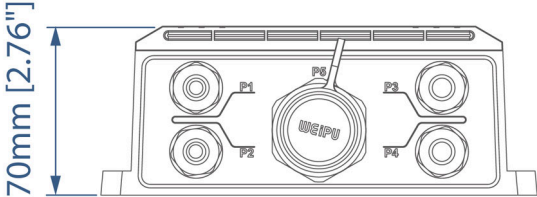
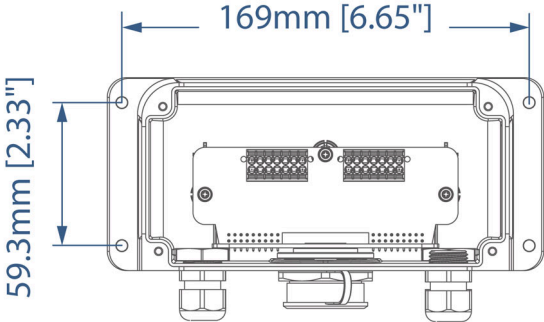
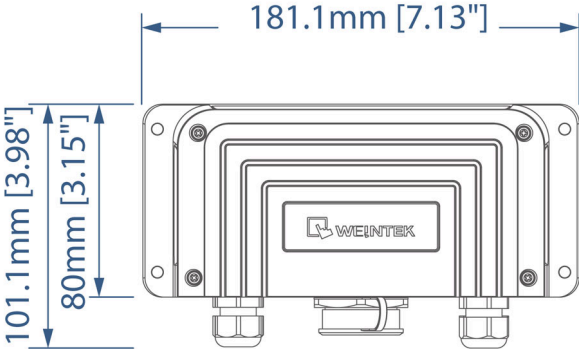
cMT-XMBS	Larger connection box for devices with more cables/connections.
----------	---

Accessories Order no.

cMT-XM-ESP	cMT-XM-ESP, robust E-Stop bypass for handheld HMIs
------------	--

Drawings

Dimensions and STEP data:





Wachendorff Prozesstechnik GmbH & Co. KG
Industriestrasse 7 • 65366 Geisenheim
Germany

Phone: +49 (0) 67 22 / 99 65 - 20
E-Mail: wp@wachendorff.de
www.wachendorff-prozesstechnik.de

