

## cMT-XMBC, robust connection box for cMT-X handheld HMIs and controllers



- Robust connection box for cMT-X handheld HMIs and controllers
- IP66-certified - dust and waterproof
- Compact design for easy installation outside the control cabinet
- Clean and safe cable organization with terminal connections

<https://www.wachendorff-prozesstechnik.de/en/cmt-xmbc>

### Description

The cMT-XMBC Compact Connection Box is an IP66-protected connection box from Weintek designed for use with cMT-X handheld HMIs and controllers. It is mounted outside the control cabinet and neatly accommodates all cable and terminal connections inside, ensuring clear cabling and reliable protection against dust and water. The robust design of the cMT-XMBC makes it ideal for industrial applications in harsh environments.

### Product details

|                        |   |
|------------------------|---|
| Interfaces:            | 1 x cable connector (Cable Connector)<br>2 x wiring terminals (Wiring Terminal)   |
| Specifications:        | Housing: Plastic<br>Dimensions (WxHxD): 157.9 mm x 75.9 mm x 55.2 mm<br>Panel cut-out: 119.4 x 29.95 mm<br>Weight: approx. 0.2 kg<br>Mounting: Use six M4 screws, the size of the mounting holes is 4.6 mm. |
| Ambient temperature:   | Operating temperature: 0°C to 55°C<br>Storage temperature: -20 °C to +60 °C<br>Relative humidity: 10% to 90% (non-condensing)<br>Vibration resistance: 10 to 25 Hz (X, Y, Z direction, 2g for 30 min.)      |
| Protection class:      | UL Type 4X (for indoor use only) / NEMA4 / IP66-compliant Front panel   |
| Certificates:          | CE<br>cULus listed  |
| Customs tariff number: | 85371098  |
| Manufacturer:          | Weintek Labs, Inc   |

### Products Order no.

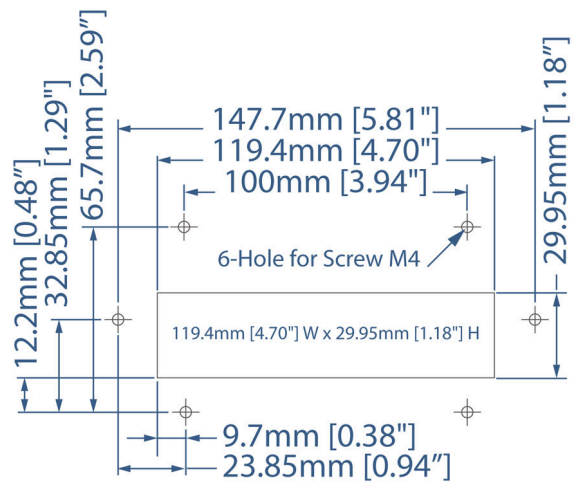
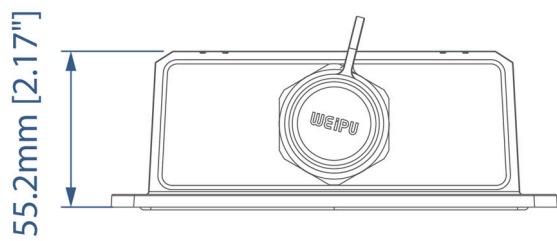
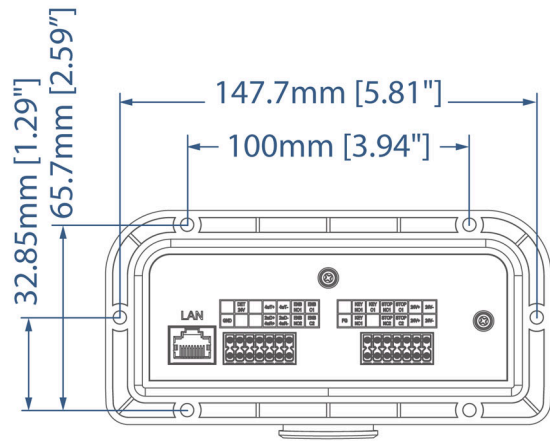
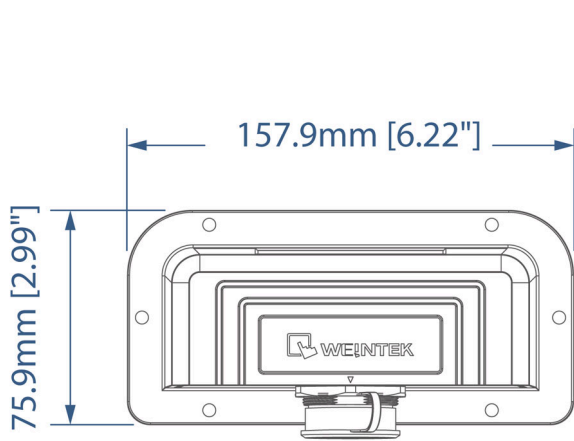
|          |                                  |
|----------|----------------------------------|
| cMT-XMBC | cMT-XMBC, Compact Connection Box |
|----------|----------------------------------|

### Accessories Order no.

|            |  |
|------------|--|
| cMT-XM-ESP | cMT-XM-ESP, robust E-Stop bypass for handheld HMIs |
|------------|--|

**Drawings**

**Dimensions and STEP data:**





Wachendorff Prozesstechnik GmbH & Co. KG  
Industriestrasse 7 • 65366 Geisenheim  
Germany

Phone: +49 (0) 67 22 / 99 65 - 20  
E-Mail: [wp@wachendorff.de](mailto:wp@wachendorff.de)  
[www.wachendorff-prozesstechnik.de](http://www.wachendorff-prozesstechnik.de)

