

Interface converter WK107USB



- For connecting an RS485 network to a USB port
- Speed from 1,200 bps to 250 Kbps
- Compatible with USB1.1 and 2.0 standards
- Driver for Windows 98, 2000 and XP
- Galvanic isolation up to 1,500 V
- DIN rail mounting
- Slim 6.2 mm housing
- Suitable for the WK series

<https://www.wachendorff-prozesstechnik.de/en/WK107USB>

Description

The WK107USB converter is an aid for communication between USB and a serial interface. The WK107USB works as a USB / RS485 converter with galvanic isolation. The device is fully set via DIP switches and is immediately ready for operation. The WK107USB is simply snapped onto a DIN rail for installation.

Product details

Input/output:	USB / RS485.
Connections:	Spring terminals from 0.2 to 2.5 mm ² and MINI-USB-B Connections: Terminal 1: RS485 Terminal 5: T1 Terminator A(+) Terminal 2: RS485 B(-) Terminal 3: RS485 shielding Terminal 6: T2 Terminator Mini USB : Input from PC
Interfaces:	USB: USB 1.1 and USB 2.0 MINI-USB-B socket on the front RS485: Differential voltage at the output: max. ±5.0 VDC (without load) Differential voltage at the input: max. ±5.0 VDC. Logic 1: < -0.2 VDC Logic 0: > +0.2 VDC Maximum cable length: 1200 m.
Baud rate:	Min. 1,200 baud, max. 115,200 baud Switch-off time: after 1 character depending on the baud rate.
Indicators:	3 LEDs for power supply, signal transmission, signal reception, status
Speed:	1,200 bps to 250 kbps configurable via DIP switch.
Settings:	DIP switch
Isolation:	RS232 / RS485 / power supply 1500 VAC between each other (3-way) NOTE: The maximum working voltage between all terminals and earth must be less than 50 VAC / 75 VDC.
Display:	3 status LEDs for supply, Rx and Tx.
Supply:	19.2 VDC to 30 VDC, max. 0.5 W via the USB port of the PC.

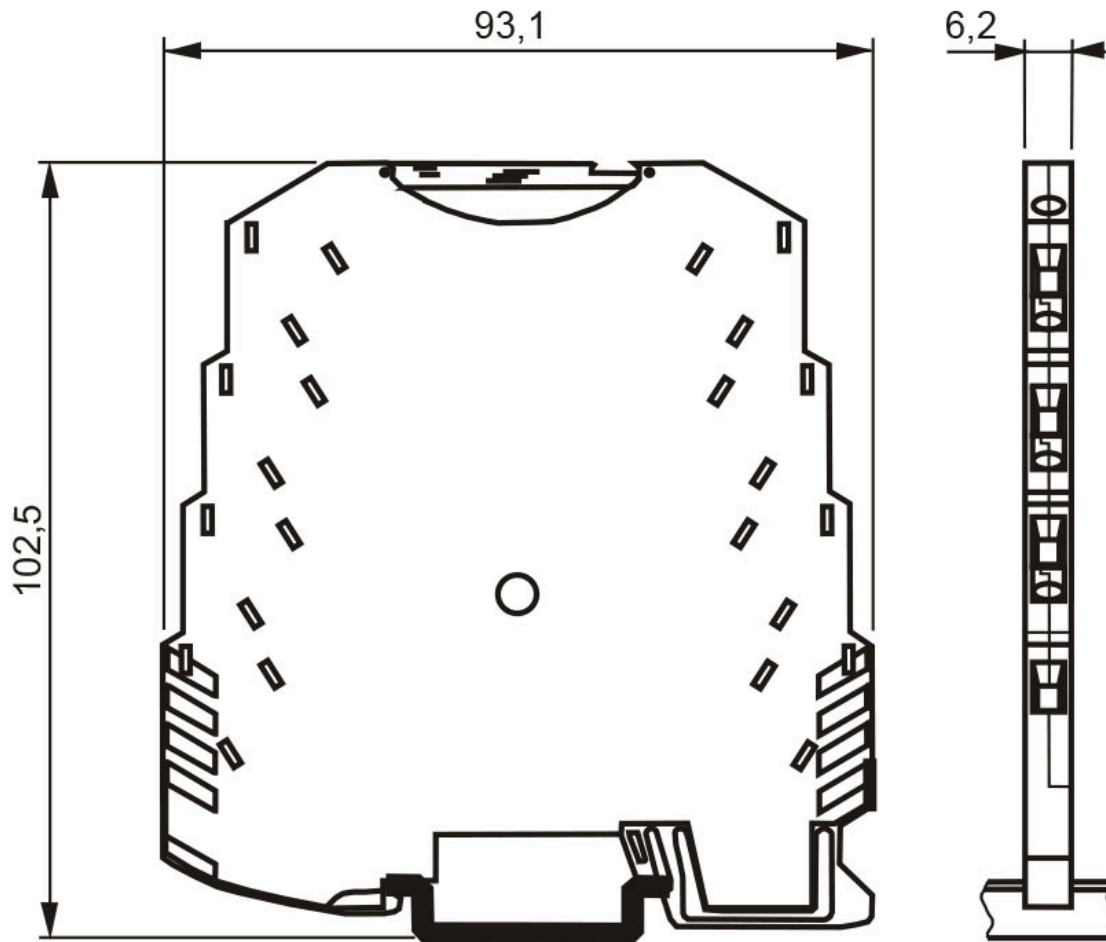
Short-circuit resistance:	1,500 VAC between input, supply and output in all directions
Electromagnetic compatibility CE compliant:	<ul style="list-style-type: none"> • Short-circuit resistance: EN 60742 (1,500 VAC) • Interference emission: EN 50 081-2 • Interference immunity: EN 50 082-2 • Protection: EN 61010-1
Driver software:	Compatible with Windows 98, 2000 and XP.
Protection class:	IP20
Ambient conditions:	Working temperature: 0 °C to +55 °C Storage temperature: -30 °C to +70 °C 30 % to 90 % relative humidity at 40 °C
Dimensions (W x H x D):	6.2 mm x 102.5 mm x 93.1 mm
Assembly:	35 mm DIN rail
Housing:	Sturdy PBT plastic housing
Approvals:	CE, UL-CSA Notes for UL: Use in environments with pollution degree 2 or less. The power supply unit must belong to class 2.
Weight:	approx. 50 g
Scope of delivery:	Device, USB cable, operating instructions
Manufacturer:	Seneca s.r.l., Italy

Products Order no.

WK107USB	RS485 / USB interface converter with galvanic isolation
----------	---

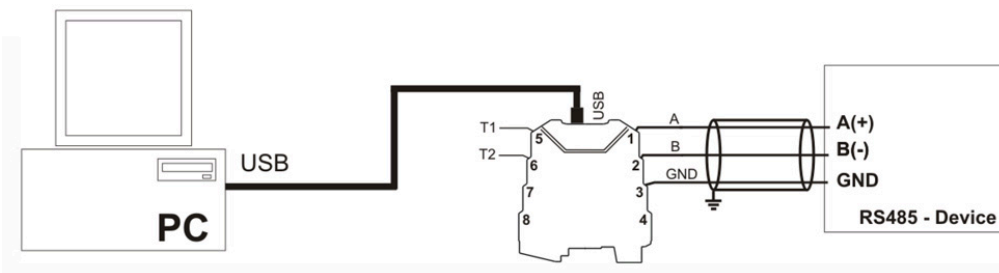
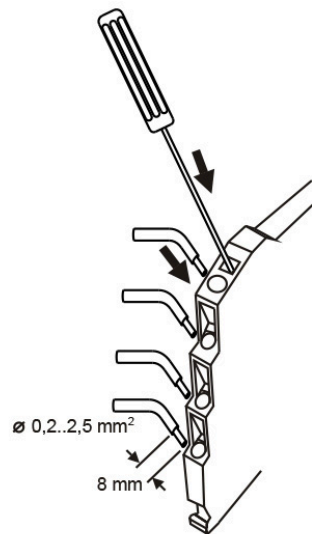
Drawings

Dimensions in mm



Drawings

Connection via spring terminals



Anschlussmöglichkeiten

Anschlüsse:

- Klemme 1: RS485 A(+)
- Klemme 2: RS485 B(-)
- Klemme 3: Schirmung RS485
- Klemme 5: T1 Terminator
- Klemme 6: T2 Terminator
- Mini USB : Eingang vom PC



Wachendorff Prozesstechnik GmbH & Co. KG
Industriestrasse 7 • 65366 Geisenheim
Germany

Phone: +49 (0) 67 22 / 99 65 - 20
E-Mail: wp@wachendorff.de
www.wachendorff-prozesstechnik.de

