

17-inch Panel PC FABS-917AP suitable for food production



- 17" TFT-LCD, 1280 x 1024 pixels
- Projected capacitive touch
- Processor: Intel® Core™ i3-6100U / i5-6300U
- EN 1672-2 certification (optional)
- IP66/IP69K-compliant front panel
- Fanless cooling system
- Reading angle horizontal 160°, vertical 140

<https://www.wachendorff-prozesstechnik.de/en/FABS-917AP>

Description

The FABS-9 series is based on a 6th generation Intel® Core™-i processor. The industrial panel PCs in this series, which are suitable for food production, are available in display sizes ranging from 12.1" to 21.5" and can be equipped with either projected capacitive or resistive touch. The projected capacitive touch enables multi-touch operation with an appropriate operating system. If pressure-sensitive operation is required (e.g. with gloves), the resistive touch is the right choice. The display is absolutely flush with the stainless steel front panel (type 304). The front has an IP69K (incl. IP66) rating and the fanless thermal design of the robust housing enables effective temperature control. The FABS IPCs can be optionally equipped with a high-brightness LCD and/or optical bonding for an outstanding display, even under the most difficult conditions. Expansion cards for additional interfaces or WLAN can also be integrated.

Product details

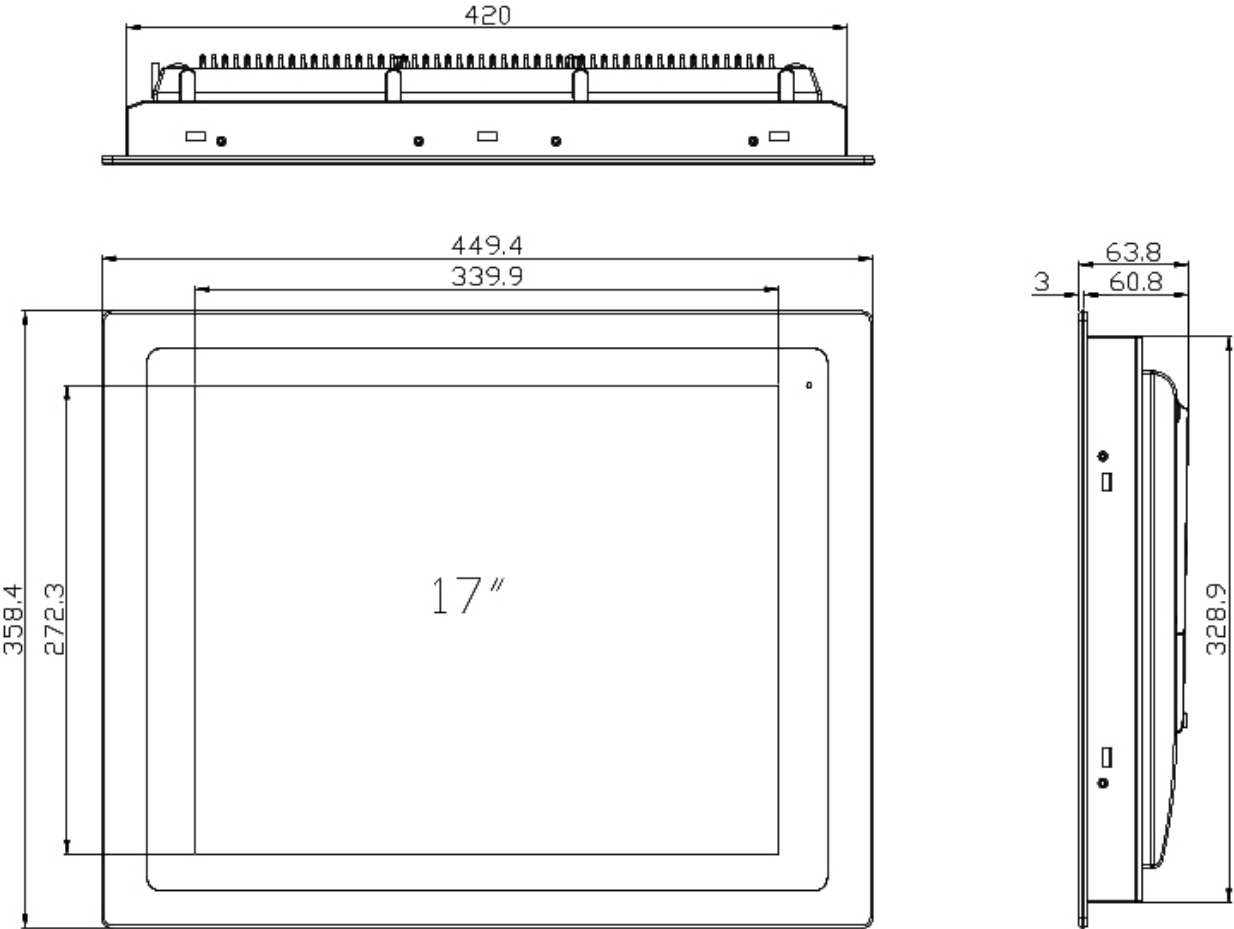
Power supply:	9 VDC to 36 VDC
Power consumption:	max. 56 W
Display:	17" TFT LCD
Resolution:	1280 x 1024 pixels
Aspect ratio:	5:4
Brightness:	350 cd/m ² 1000 cd/m ² (optional high-brightness LCD)
Backlight:	30,000 h runtime 50,000 h runtime (optional high-brightness LCD)
Colors:	16.7 million
Reading angle:	H: 160° / V: 140° H: 170° / V: 160° (optional high-brightness LCD)
Touch screen:	Projected capacitive touch
Processor:	Intel® Core™ i3-6100U (2.3 GHz) Intel® Core™ i5-6300U (3.0 GHz)
RAM:	up to 16GB DDR4 2133 MHz SO-DIMM 2Rx8
SSD/HDD:	1x SATA3 2.5"

Interfaces:	USB: 2 x USB 3.0 type A Serial: COM1: RS232 / RS422 / RS485; COM2: RS232 Ethernet: 2x GbE 10/100/1000 Base T (X), RJ45 Audio: 3.5 mm jack Power supply: pluggable 3-pin terminal strip On/off switch: optional plug-in 2-pin terminal strip, see accessories IPC_DIO_2P
Expansion slots	1 x Mini PCIe full height (internal)
Housing:	Die-cast aluminum Stainless steel front panel (type 304, optionally 316)
Assembly:	VESA 100 x 100; panel mounting
Protection class:	IP66/IP69K (front)
Dimensions (WxHxD):	449 mm x 358 mm x 63.8 mm
Weight:	approx. 5.1 kg
Ambient conditions:	Operation: 0 °C to +50 °C ; Storage: -30 °C to +70 °C 10% to 90 %rH, non-condensing.
Certifications:	CE/FCC Class A EN 1672-2 certification (optional)
Operating systems:	Windows® 10 IoT Linux

Options:	<p>VGA HDMI</p> <p>4 x USB 2.0 2 x USB 2.0 + 1 x COM (RS-232) 2 x USB 2.0 + 1 x COM (RS-232) + 1 x power button 2 x USB 2.0 + 1 x COM (RS-232) + 1 x power button + 1 x Mini PCIe + 1 x SIM card slot 2 x USB 2.0 + 1 x Mini PCIe + 1 x SIM card slot 2 x USB 2.0 + 1 x LAN 2 x USB 2.0 + 2 x CAN + 1 x Mini-PCIe + 1 x SIM card slot 2 x COM (RS-232) 2 x COM (RS-232) + 1 x Mini-PCIe + 1 x SIM card slot 2 x COM (RS-232/RS-485, isolated)</p> <p>WLAN 2.4GHz, BT4 WLAN 2.4GHz, 5GHz, BT4</p> <p>Optical bonding High Brightness Display Smart Battery</p>
Scope of delivery:	<p>Device 1 x power supply unit 1 x mounting material</p>
Customs tariff number:	84715000
Manufacturer:	Aplex Technology Inc.

Drawings

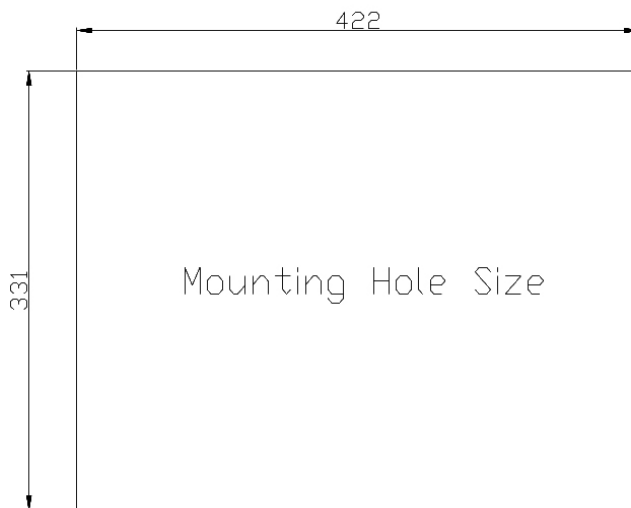
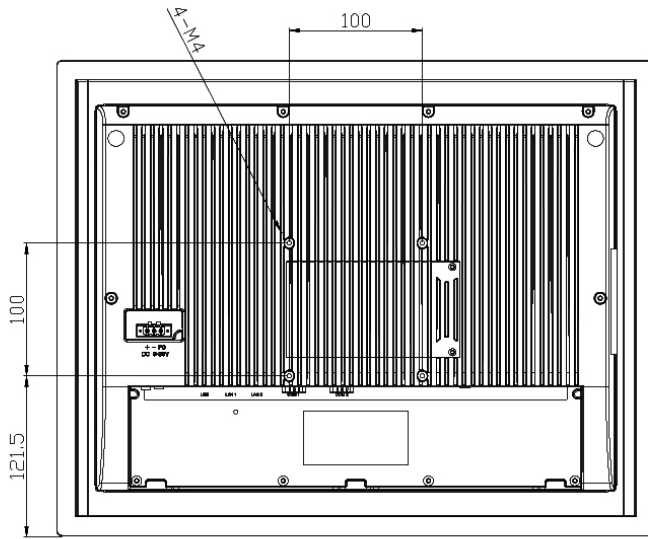
Dimensions 01 (mm):



UNIT: mm
Tolerance: ±0.5

Drawings

Dimensions 02 (mm):



UNIT: mm
Tolerance: ± 0.5



Wachendorff Prozesstechnik GmbH & Co. KG
Industriestrasse 7 • 65366 Geisenheim
Germany

Phone: +49 (0) 67 22 / 99 65 - 20
E-Mail: wp@wachendorff.de
www.wachendorff-prozesstechnik.de

