

15.6 inch Panel PC Series-1A1 Intel® Celeron® J4125



- 15.6" TFT LCD, 1920 x 1080 pixels
- Processor: Intel® Celeron® J4125
- Die-cast aluminum housing
- Flush frame design, IP65 front side
- Fanless cooling system

<https://www.wachendorff-prozesstechnik.de/en/PPC002-156A1>

Description

WACHENDORFF Series-1 Panel PC

The WACHENDORFF Series-1 industrial panel PCs are available in display sizes ranging from 10" to 23.8" and can be equipped with projected capacitive, resistive or no touch. The projected capacitive touch enables multi-touch operation with an appropriate operating system. If pressure-sensitive operation is required (e.g. with gloves), the resistive touch is the right choice. You can choose from a variety of different processors, from the energy-efficient Intel® Celeron® J4125 to a 10th generation Intel® Core™ i7. Integrate up to 64 GB of RAM to meet the most demanding requirements. The front panels are absolutely flush with the die-cast aluminum housing. The housing is IP65 rated. The unique fanless thermal design of the die-cast aluminum housing enables effective temperature control.

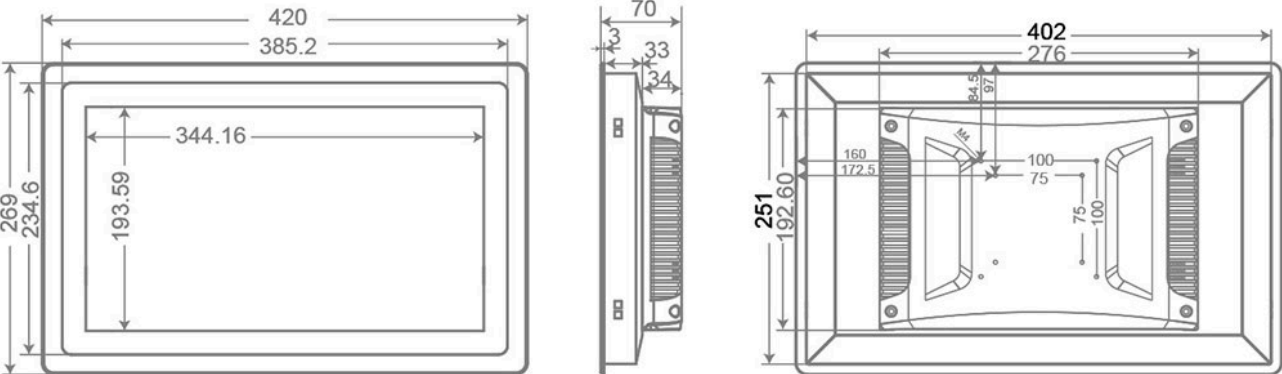
Product details

| | |
|--------------------|---|
| Power supply: | Hollow connector 5.5 x 2.5 mm: 12 VDC to 36 VDC 2 pin connector: 12 VDC to 36 VDC |
| Power consumption: | max. 70W |
| Display: | 15.6" TFT LCD |
| Resolution: | 1920 x 1080 pixels |
| Aspect ratio: | 16:9 |
| Brightness: | 300 cd/m ² 1000 cd/m ² (High Brightness) |
| Colors: | 16,7 M |
| Reading angle: | 85/85/85/85 (L/R/U/D) |
| Touch screen: | <ul style="list-style-type: none"> • Projected capacitive touch • Resistive touch • without touch |
| Glass hardness: | <ul style="list-style-type: none"> • 6H Projected capacitive touch • 3H Resistive touch • 7H without touch |
| Processor: | Intel® Celeron® J4125 (2.70 GHz) |
| RAM: | Max. 8GB DDR4 |
| SSD/HDD: | Max. 1 TB |

| | |
|------------------------|---|
| Interfaces: | USB: 2 x USB 2.0 type A, 2 x USB 3.0 type A Serial: 2x RS-232 DB-9 Ethernet: 2x RJ-45 Gigabit Ethernet, galvanically isolated Display: 1x HDMI, 1x VGA Audio: 1x audio out, 3.5 mm jack Sim Card Slot: Standard SIM (without function as standard) WLAN: 1x 802.11 abgn/ac/d/e/i/h/w Bluetooth: 1x Bluetooth 4.0 |
| Expansion slots: | None |
| Housing: | Die-cast aluminum housing |
| Assembly: | VESA 75 x 75, VESA 100 x 100 Panel mounting |
| Protection class: | IP65 on the front |
| Dimensions (WxHxD): | 420 mm x 269 mm x 70 mm |
| Weight: | 3.7 kg |
| Certifications: | CE, RoHS, FCC, REACH |
| Ambient conditions: | Operation: -10 °C to +60 °C, Optional WT: -20 °C to +70 °C High Brightness: -20 °C to +70 °C Storage: -20 °C to +70 °C Up to 95 % r. h., non-condensing |
| Operating systems: | Windows® 10 IoT Windows® 11 IoT |
| Options: | LTE -20 °C to +70 °C (optionally customizable) |
| Scope of delivery: | 1 x device 1 x Mounting material 1 x installation instructions |
| Customs tariff number: | 8471 41 00 |
| Manufacturer: | Wachendorff Prozesstechnik GmbH & Co. KG |

Drawings

Dimensions (mm) and STL file/viewer:





Wachendorff Prozesstechnik GmbH & Co. KG
Industriestrasse 7 • 65366 Geisenheim
Germany

Phone: +49 (0) 67 22 / 99 65 - 20
E-Mail: wp@wachendorff.de
www.wachendorff-prozesstechnik.de

