

17 inch Panel PC ViTAM-817G Stainless steel housing



- 17" TFT LCD, 1,280 x 1,024 pixels
- Without touch function
- Processor: Intel Celeron N2930 1.83 GHz
- IP66/IP69K stainless steel housing with M12 connections
- Flush frame design
- Fanless cooling system
- Reading angle horizontal 170°, vertical 170°

<https://www.wachendorff-prozesstechnik.de/en/ViTAM-817G>

Description

The ViTAM-8 series is based on an Intel Celeron N2930 1.83 GHz processor.

The industrial panel PCs in this series are available in display sizes from 10.1" to 24", with either projected capacitive or resistive touch. The projected capacitive touch enables multi-touch operation with a corresponding operating system. If pressure-sensitive operation is required (e.g. with gloves), the resistive touch is the right choice. The front panels are absolutely flush with the stainless steel housing (type 304). The housing is designed in IP69K (incl. IP66) with M12 connection options. The unique fanless thermal design of the robust stainless steel housing enables effective temperature control. The ViTAM IPC can be optionally equipped with a high-brightness LCD and/or optical bonding for an outstanding display, even under the most difficult conditions. In addition, expansion cards for further interfaces or RFID can be integrated.

Product details

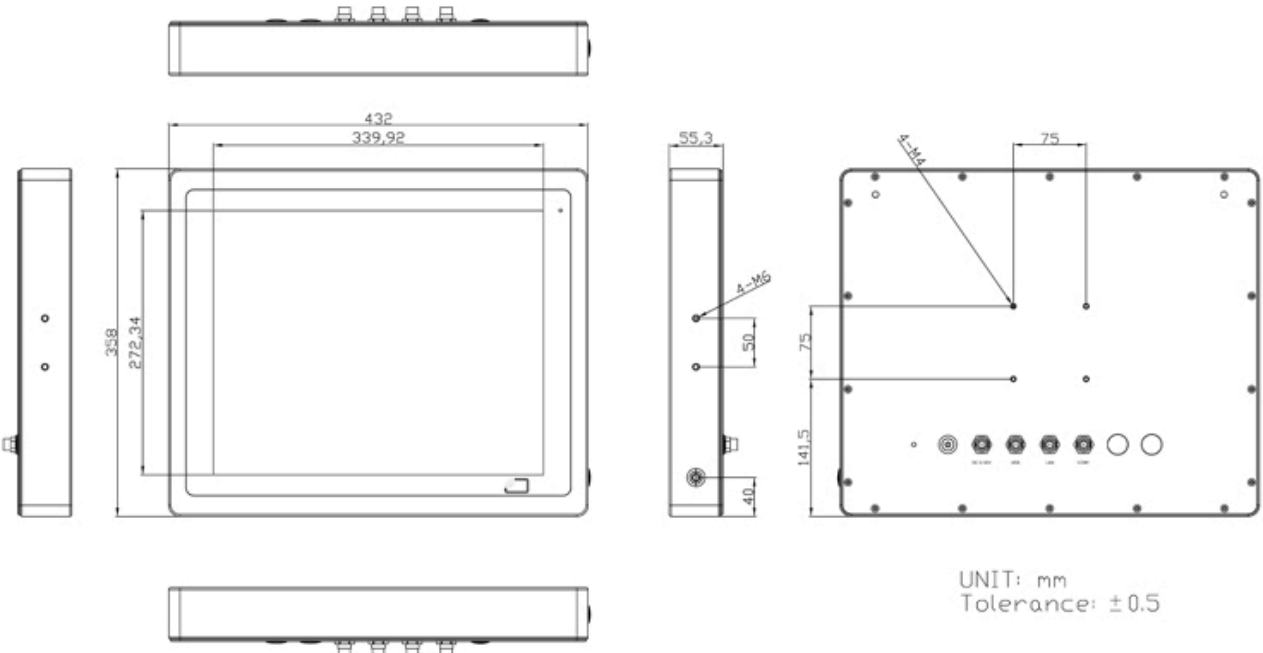
Power supply:	9 VDC to 36 VDC Power consumption: max. 29.2 W
Power consumption:	max. 29 W
Display:	17" TFT LCD
Resolution:	1,280 x 1,024 pixels
Aspect ratio:	5:4
Brightness:	350 cd/m ²
Backlight:	50,000 h running time
Colors:	16.7 million
Contrast:	1.000:1
Reading angle:	H: 170° / V: 170°
Touch screen:	without touch function
Processor:	Intel Celeron N2930 1.83 GHz
System Chipset:	SoC
RAM:	4 GB DDR3L RAM 1,600 MHz onboard (optional 8 GB)
SSD/HDD:	1x 2.5" HDD/SSD (standard 32 GB SSD)
Additional memory:	1 x SD slot

Interfaces:	<p>USB: 1 x M12 8-pin (2 x USB 2.0 via cable) with waterproof termination Serial: 1 x M12 8-pin for COM 1 (RS-232/-422/485, default RS-232) with waterproof termination Ethernet: 1 x M12 A-code, 8-pin, socket (female) for Gigabit Ethernet with waterproof termination Power supply: 1 x M12 3-pin, 1 x On/Off switch (rear)</p> <p>Possible extension: 2 x M12 Available extensions: 2 x USB 2.0 module via TB-528U2 1 x USB 3.0 via cable 1 x LAN via cable 1 x COM port via TB-528C1 1 x CAN via TB-528CAN2 1 x M12 12-pin VGA 1 x HDMI</p>
Expansion slots:	1 x Mini PCIe for Wifi/BT (optional) 1 x RFID (front side, see options)
Housing:	Stainless steel (type 304, optionally 316)
Assembly:	VESA 75 x 75; yoke mount (swivel fork mount)
Protection class:	IP66/IP69K
Weight:	approx. 7.1 kg
Dimensions (WxHxD):	432 mm x 358 mm x 55.3 mm
Ambient conditions:	Operation: 0 °C to +50 °C ; Storage: -30 °C to +70 °C 10% to 90 %rH, non-condensing.
Certifications:	CE/FCC class A
Operating systems:	Windows® 10 IoT Linux

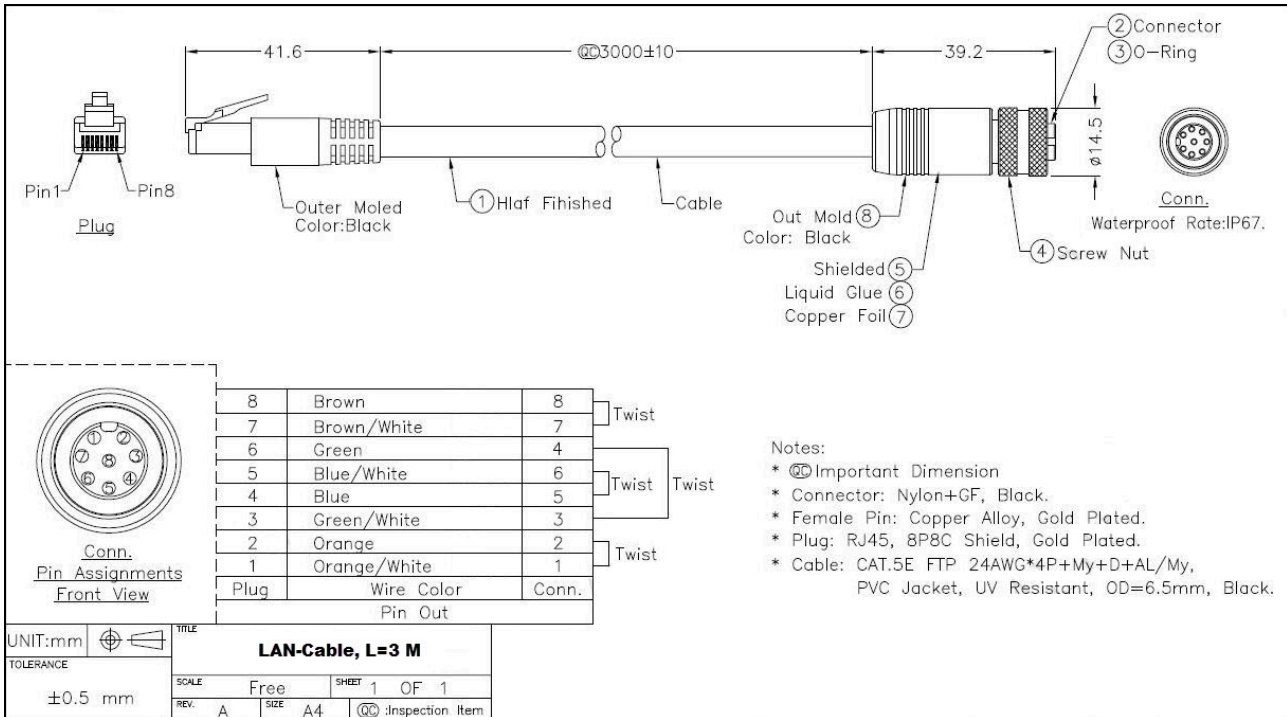
Options:	HDMI VGA (M12, 12-pin) Wifi/BT (via Mini PCIe) RFID module (for front-side use, Mifare 13.56 MHz) 2 x USB 2.0 module via TB-528U2 1 x USB 3.0 via cable 1 x LAN Gigabit Ethernet via cable 1 x COM port via TB-528C1 1 x CAN via TB-528CAN2 IP65 Waterproof Power Adapter Optical bonding High Brightness LCD (1000 cd/m2) Stainless steel (type 316) Linux, Android, Windows
Scope of delivery:	Device 1 x M12 plug-in power supply 1 x M12 USB cable (1x M12 to 2x USB 2.0)
Customs tariff number:	84715000
Manufacturer:	Aplex Technology Inc.

Drawings

Dimensions (mm):



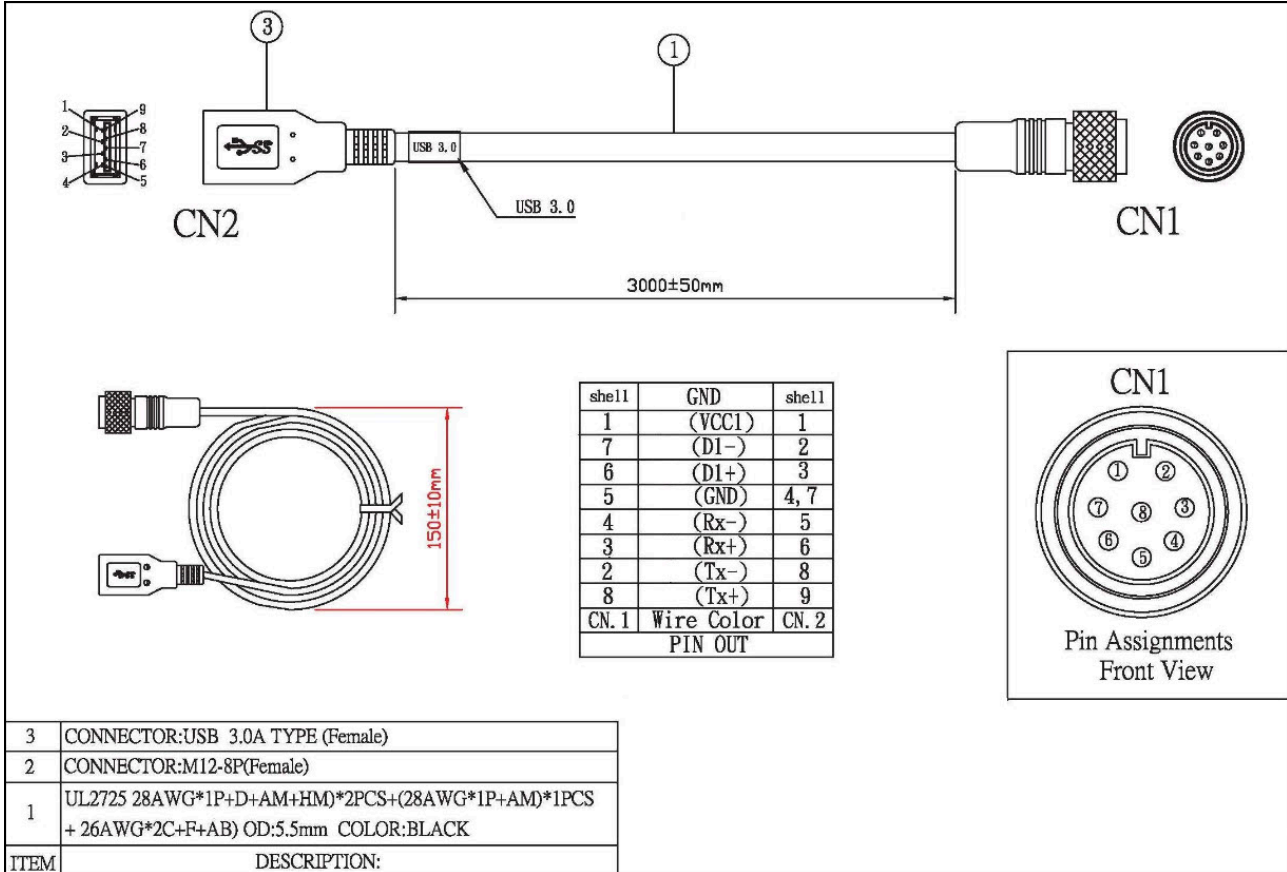
Drawings
LAN cable



(may not be included in the scope of delivery)

Drawings

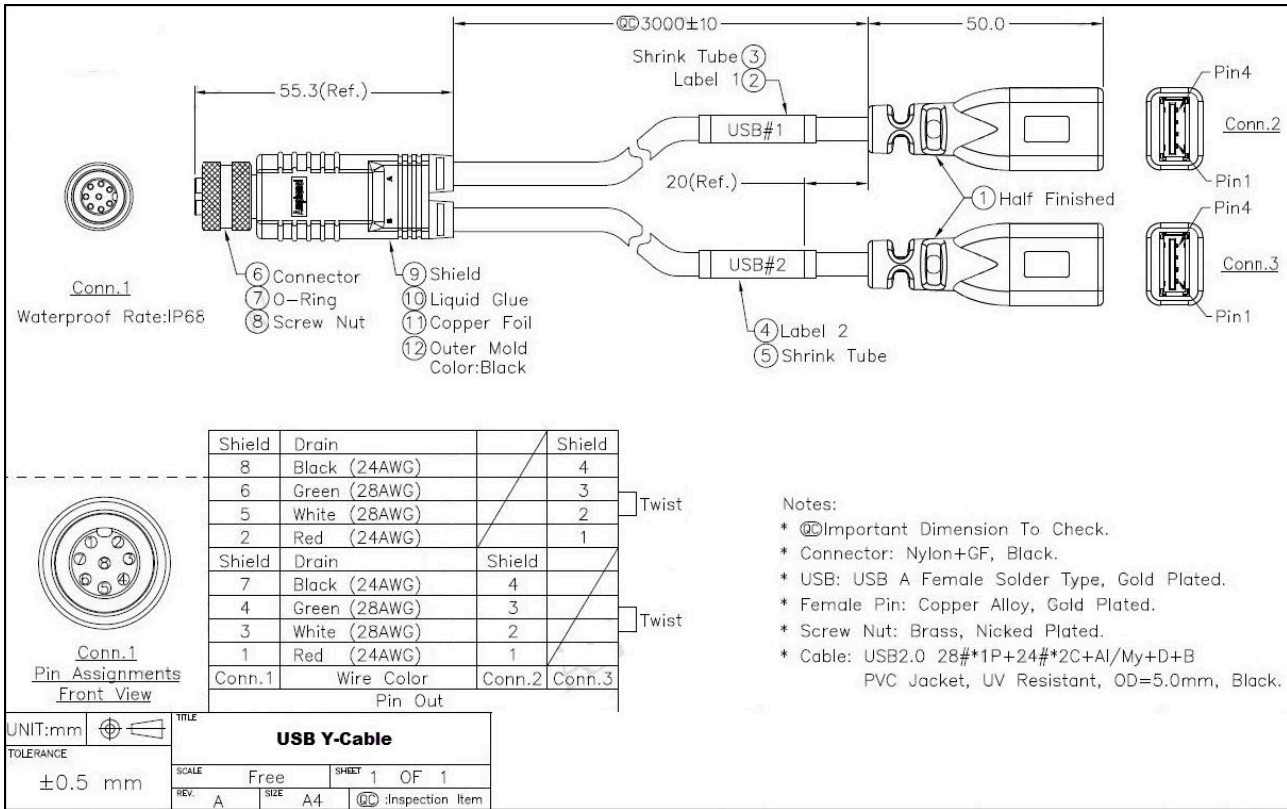
USB 3.0 cable



(may not be included in the scope of delivery)

Drawings

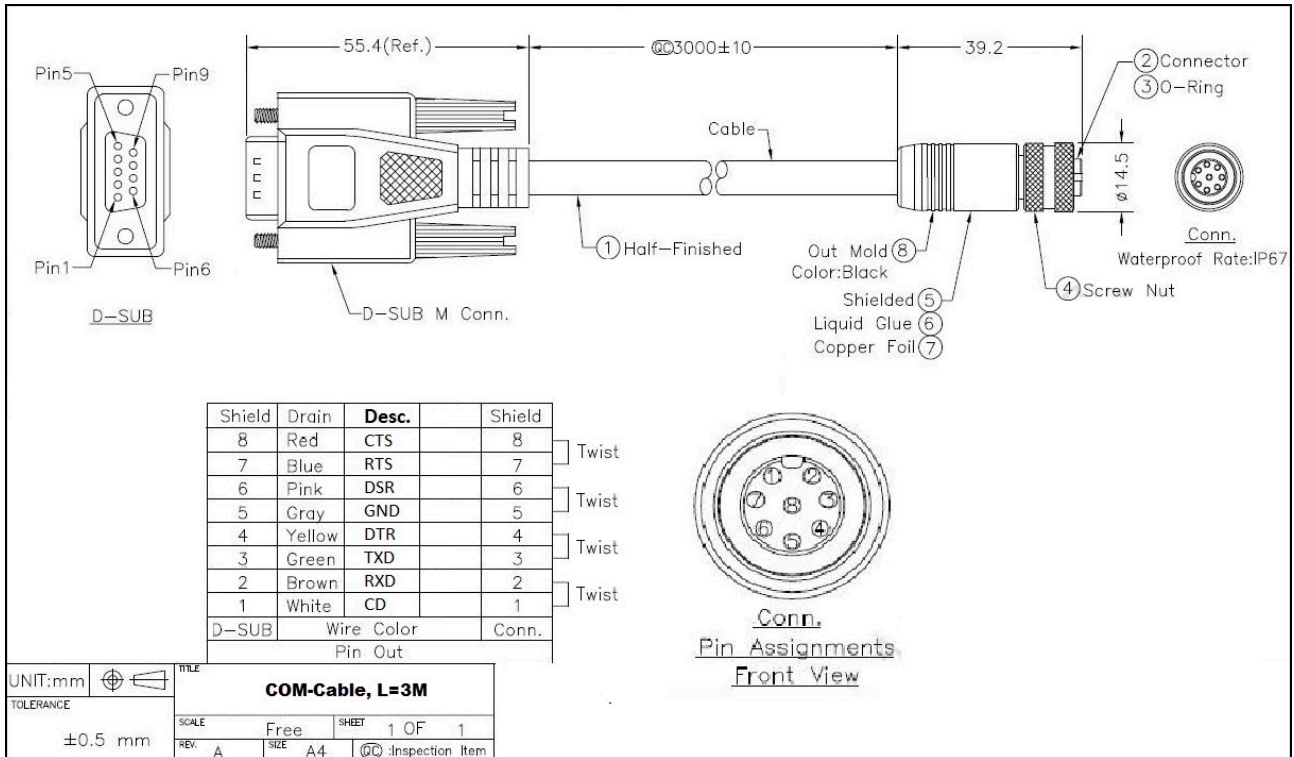
USB Y-cable



(may not be included in the scope of delivery)

Drawings

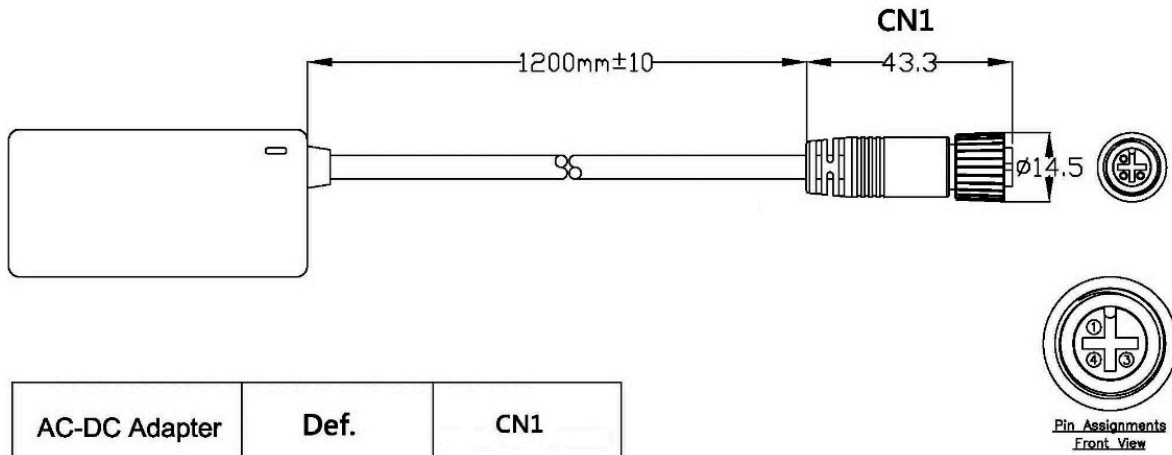
COM cable



(may not be included in the scope of delivery)

Drawings

Power adapter



AC-DC Adapter	Def.	CN1
	FG	1
(White)	VCC	3
	GND	4

(may not be included in the scope of delivery)



Wachendorff Prozesstechnik GmbH & Co. KG
Industriestrasse 7 • 65366 Geisenheim
Germany

Phone: +49 (0) 67 22 / 99 65 - 20
E-Mail: wp@wachendorff.de
www.wachendorff-prozesstechnik.de

