

## 15.6 inch Panel PC ViTAM-816R Stainless steel housing



- 15.6" TFT LCD, 1,366 x 768 pixels
- Resistive touch
- Processor: Intel Celeron N2930 1.83 GHz
- IP66/IP69K stainless steel housing with M12 connections
- Flush frame design
- Fanless cooling system
- Reading angle horizontal 160°, vertical 160

<https://www.wachendorff-prozesstechnik.de/en/ViTAM-816R>

### Description

The ViTAM-8 series is based on an Intel Celeron N2930 1.83 GHz processor.

The industrial panel PCs in this series are available in display sizes from 10.1" to 24", with either projected capacitive or resistive touch. The projected capacitive touch enables multi-touch operation with a corresponding operating system. If pressure-sensitive operation is required (e.g. with gloves), the resistive touch is the right choice. The front panels are absolutely flush with the stainless steel housing (type 304). The housing is designed in IP69K (incl. IP66) with M12 connection options. An on/off button is also integrated on the side of the Panel PC. The unique fanless thermal design of the robust stainless steel housing enables effective temperature control. The ViTAM IPCs can be optionally equipped with a high-brightness LCD and/or optical bonding for an outstanding display, even under the most difficult conditions. In addition, expansion cards can be integrated for additional interfaces, RFID or even the supply of the panel PC via Power over Ethernet (POE).

### Product details

Power supply:	9 VDC to 36 VDC
Power consumption:	max. 24 W
Display:	15.6" TFT LCD
Resolution:	1,366 x 768 pixels
Aspect ratio:	16:9
Brightness:	300 cd/m <sup>2</sup>
Colors:	16.7 million
Contrast:	500:1
Reading angle:	H: 160° / V: 160°
Touch screen:	resistive
Processor:	Intel Celeron N2930 1.83 GHz
System Chipset:	SoC
RAM:	4 GB DDR3L RAM 1,600 MHz onboard (optional 8 GB)
SSD/HDD:	1 x 2.5" HDD/SSD (standard 32 GB SSD)
Additional memory:	1 x SD slot

Interfaces:	<p>USB: 1 x M12 8-pin (2 x USB 2.0 via cable) with waterproof termination            Serial: 1 x M12 8-pin for COM 1 (RS-232/-422/485, default RS-232) with waterproof termination            Ethernet: 1 x M12 A-code, 8-pin, socket (female) for Gigabit Ethernet with waterproof termination            Other: 1 x On/Off button (on the side, waterproof)            Power supply: 1 x M12 3-pin, 1 x On/Off switch (rear)</p> <p>Possible extension: 2 x M12            Available extensions:            1 x PoE module (IEEE 802.3af/at) via TB-528E1U2POE            2 x USB 2.0 module via TB-528U2            1 x USB 3.0 via cable            1 x LAN via cable            1 x COM port via TB-528C1            1 x CAN via TB-528CAN2            1 x M12 12-pin VGA            1 x HDMI</p>
Expansion slots:	<p>1 x Mini PCIe for Wifi/BT (optional)            1 x RFID (front side, see options)</p>
Housing:	Stainless steel (type 304, optionally 316)
Assembly:	VESA 75 x 75; yoke mount (swivel fork mount)
Protection class:	IP66/IP69K
Weight:	approx. 5.2 kg
Dimensions (WxHxD):	440 mm x 290 mm x 55 mm
Ambient conditions:	<p>Operation: 0 °C to +50 °C ;            Storage: -30 °C to +70 °C            10% to 90 %rH, non-condensing.</p>
Certifications:	CE/FCC class A
Operating systems:	<p>Windows® 10 IoT            Linux</p>

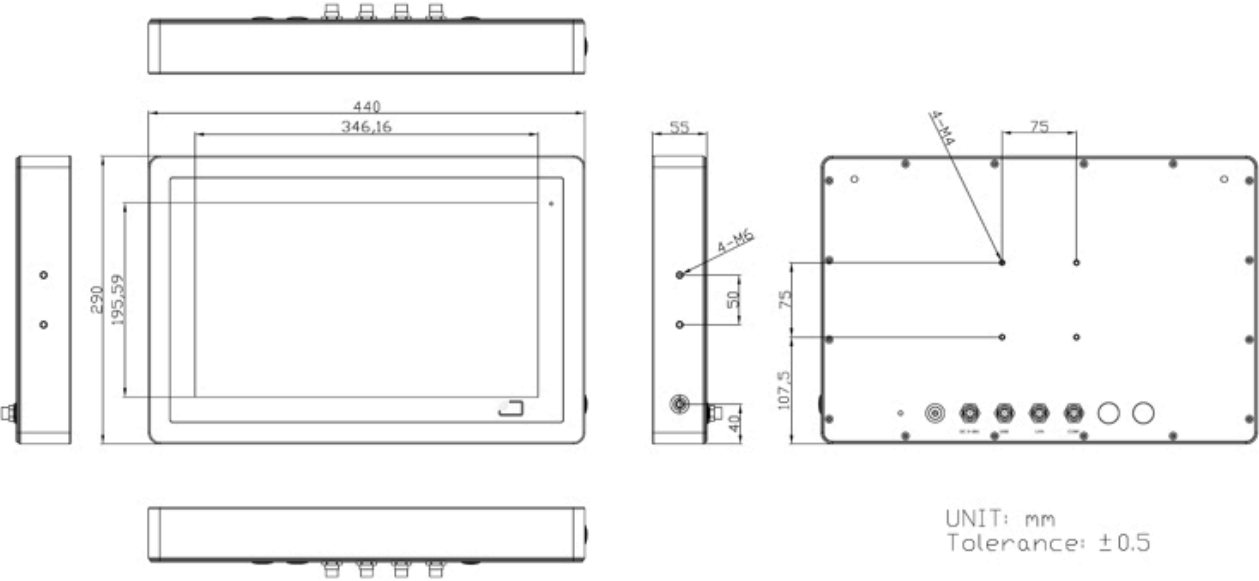
---

Options:	HDMI VGA (M12, 12-pin)  Wifi/BT (via Mini PCIe) RFID module (for front-side use, Mifare 13.56 MHz)  PoE module (IEEE 802.3af/at) via TB-528E1U2POE 2 x USB 2.0 module via TB-528U2 1 x USB 3.0 via cable 1 x LAN Gigabit Ethernet via cable 1 x COM port via TB-528C1 1 x CAN via TB-528CAN2  IP65 Waterproof Power Adapter Optical bonding High Brightness LCD (1000 cd/m2) Stainless steel (type 316) Linux, Android, Windows
Scope of delivery:	Device 1 x M12 plug-in power supply 1 x M12 USB cable (1x M12 to 2x USB 2.0)
Customs tariff number:	84715000
Manufacturer:	Aplex Technology Inc.

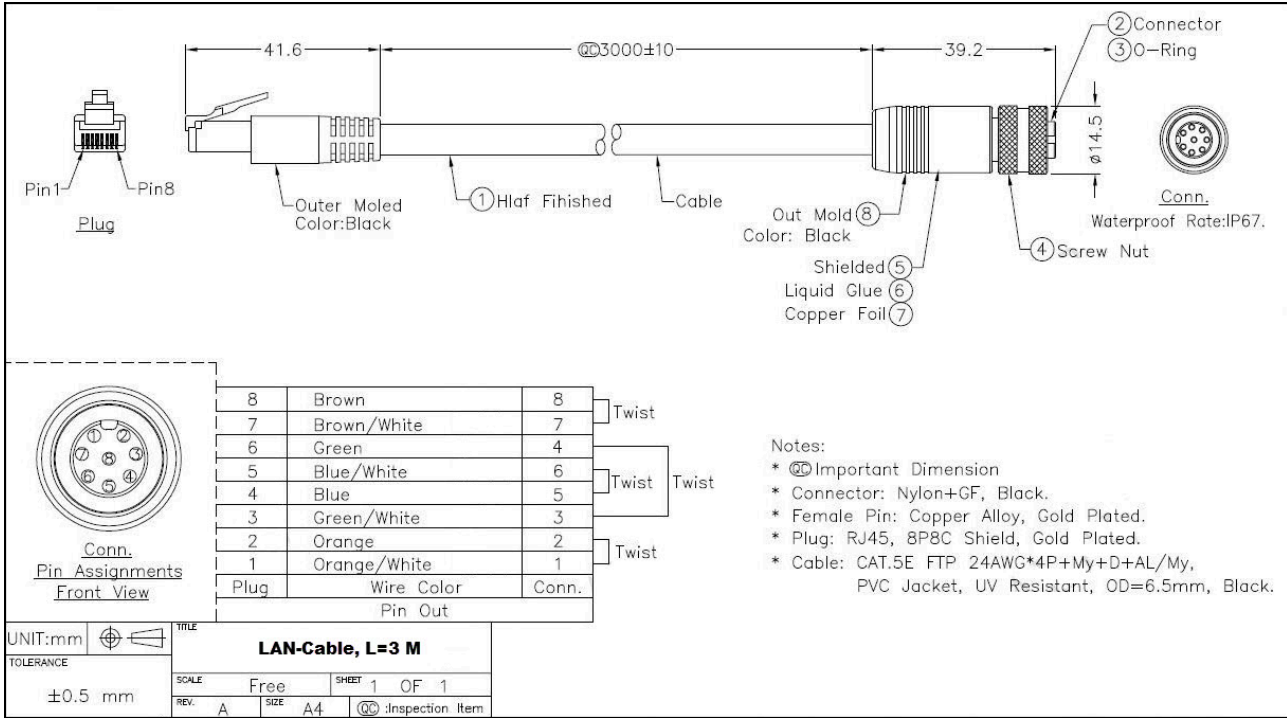
---

**Drawings**

**Dimensions (mm):**



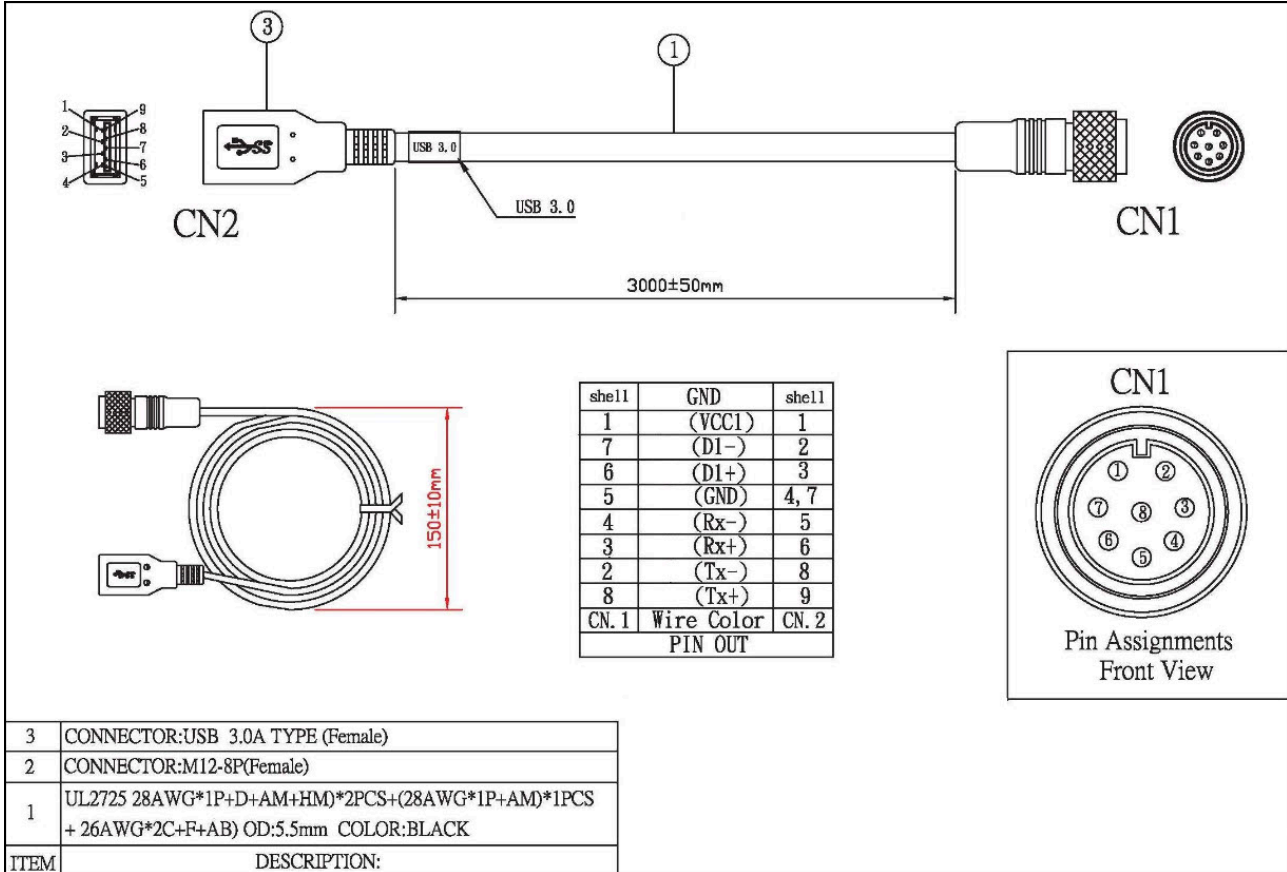
**Drawings**  
**LAN cable**



(may not be included in the scope of delivery)

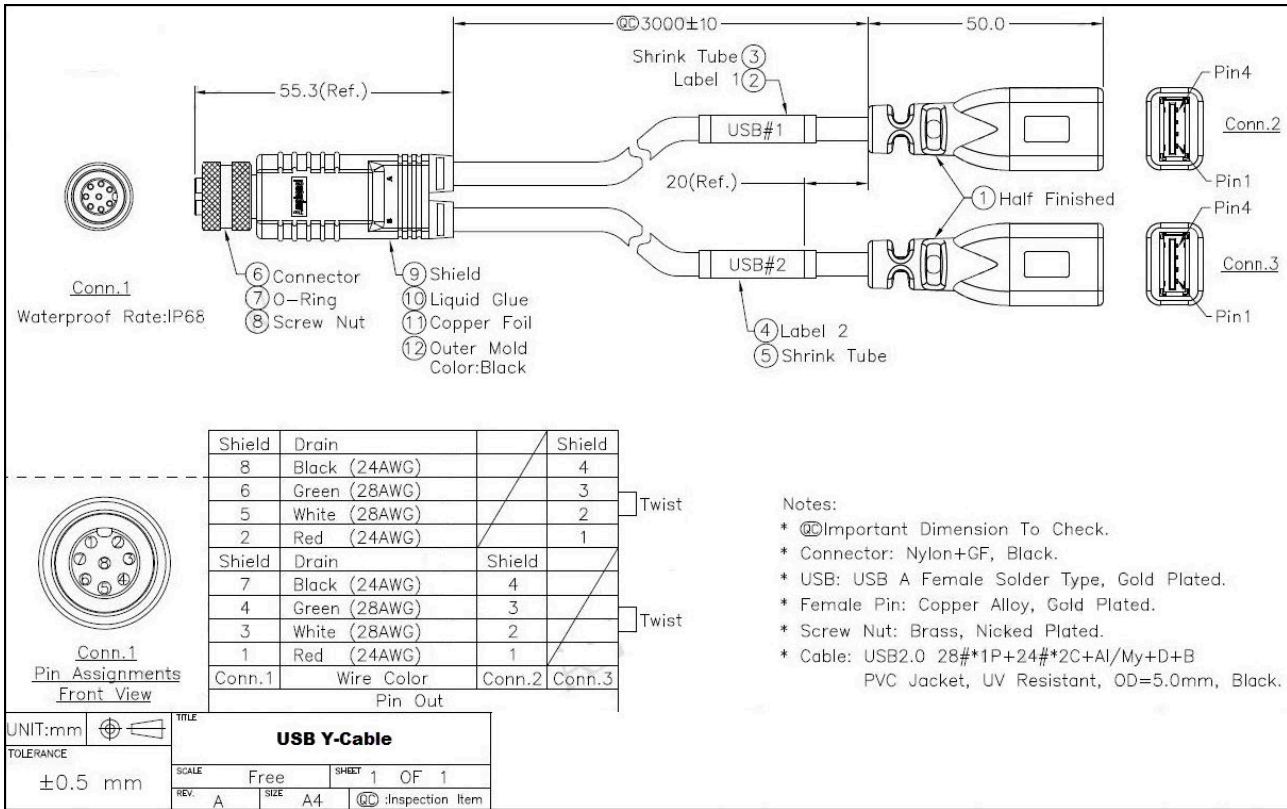
**Drawings**

**USB 3.0 cable**



(may not be included in the scope of delivery)

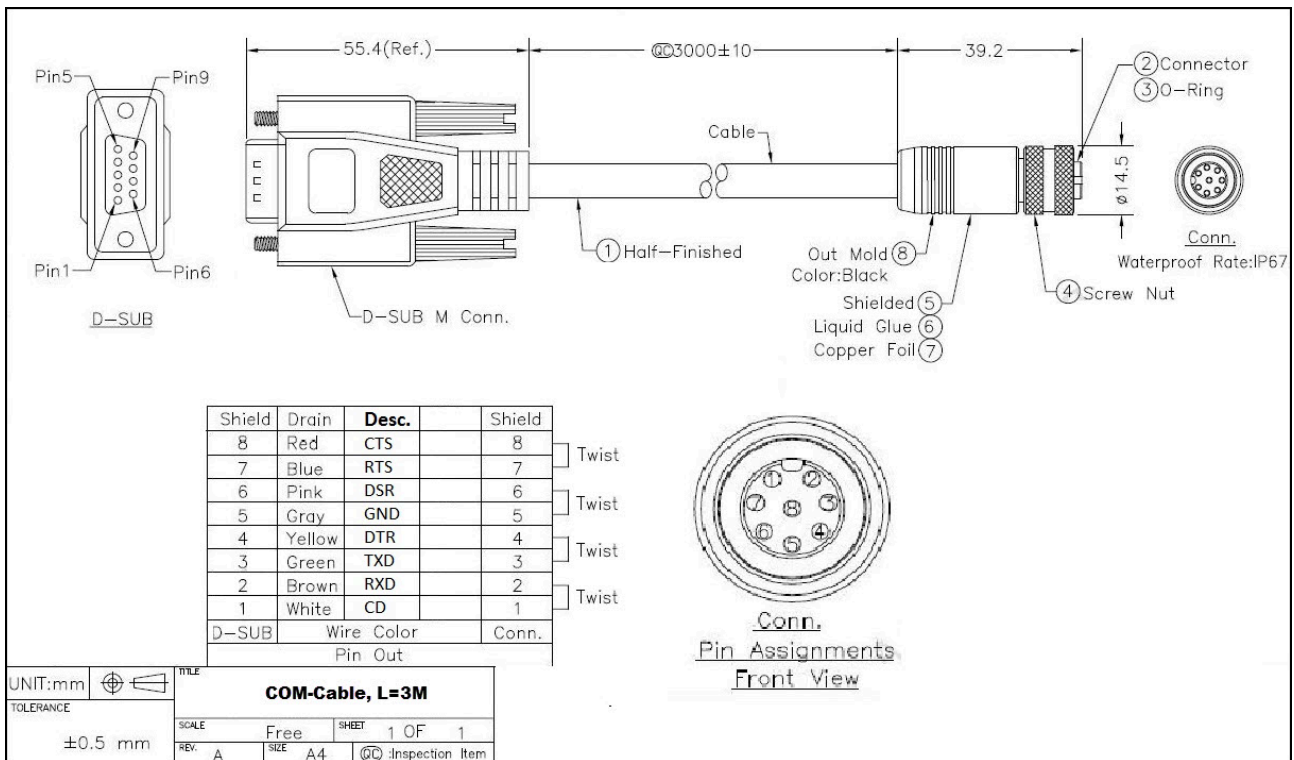
**Drawings**  
**USB Y-cable**



(may not be included in the scope of delivery)

**Drawings**

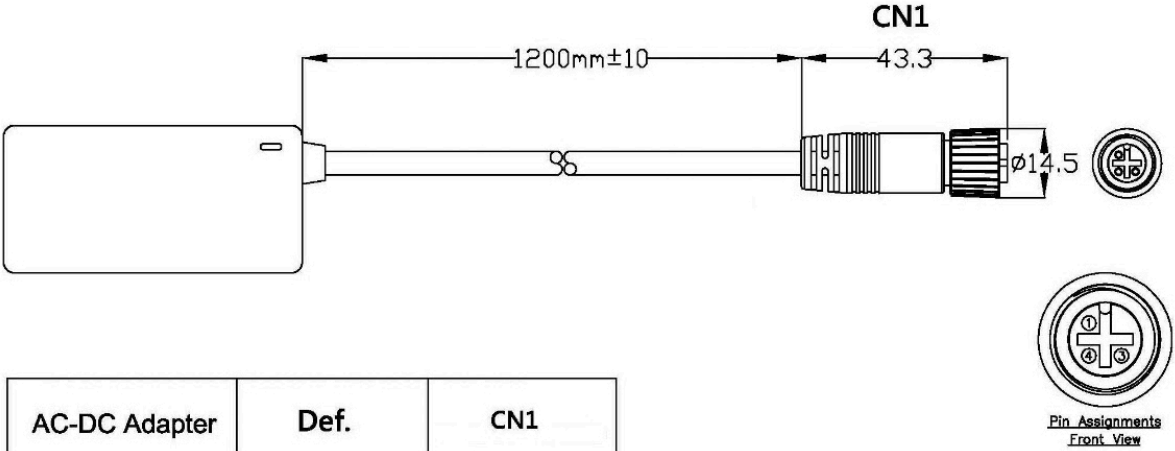
**COM cable**



(may not be included in the scope of delivery)

**Drawings**

**Power adapter**



AC-DC Adapter	Def.	CN1
	FG	1
(White)	VCC	3
	GND	4

(may not be included in the scope of delivery)



Wachendorff Prozesstechnik GmbH & Co. KG  
Industriestrasse 7 • 65366 Geisenheim  
Germany

Phone: +49 (0) 67 22 / 99 65 - 20  
E-Mail: [wp@wachendorff.de](mailto:wp@wachendorff.de)  
[www.wachendorff-prozesstechnik.de](http://www.wachendorff-prozesstechnik.de)

