

21.5 inch Panel PC ViTAM-621G Stainless steel housing



- 21.5" TFT LCD, 1920 x 1080 pixels
- Without touch function
- Processor: Freescale i.MX6 Dual Lite 1.0 GHz
- IP66/IP69K stainless steel housing with M12 connections
- Flush frame design
- Fanless cooling system
- Reading angle horizontal 178°, vertical 178°

<https://www.wachendorff-prozesstechnik.de/en/ViTAM-621G>

Description

The ViTAM-6 series is based on a Freescale i.MX6 Dual Lite 1.0 GHz processor.

The industrial panel PCs in this series are available in display sizes ranging from 10.1" to 15", with a choice of projected capacitive, resistive or no touchscreen. The projected capacitive touch enables multi-touch operation with a corresponding operating system. If pressure-sensitive operation is required (e.g. with gloves), the resistive touch is the right choice. The front panels are absolutely flush with the stainless steel housing (type 304). The housing is designed in IP69K (incl. IP66) with M12 connection options. The unique fanless thermal design of the robust stainless steel housing enables effective temperature control. The ViTAM IPC can be optionally equipped with a high-brightness LCD and/or optical bonding for an outstanding display, even under the most difficult conditions. In addition, expansion cards can be integrated for additional interfaces, RFID or even the supply of the panel PC via Power over Ethernet (POE).

Product details

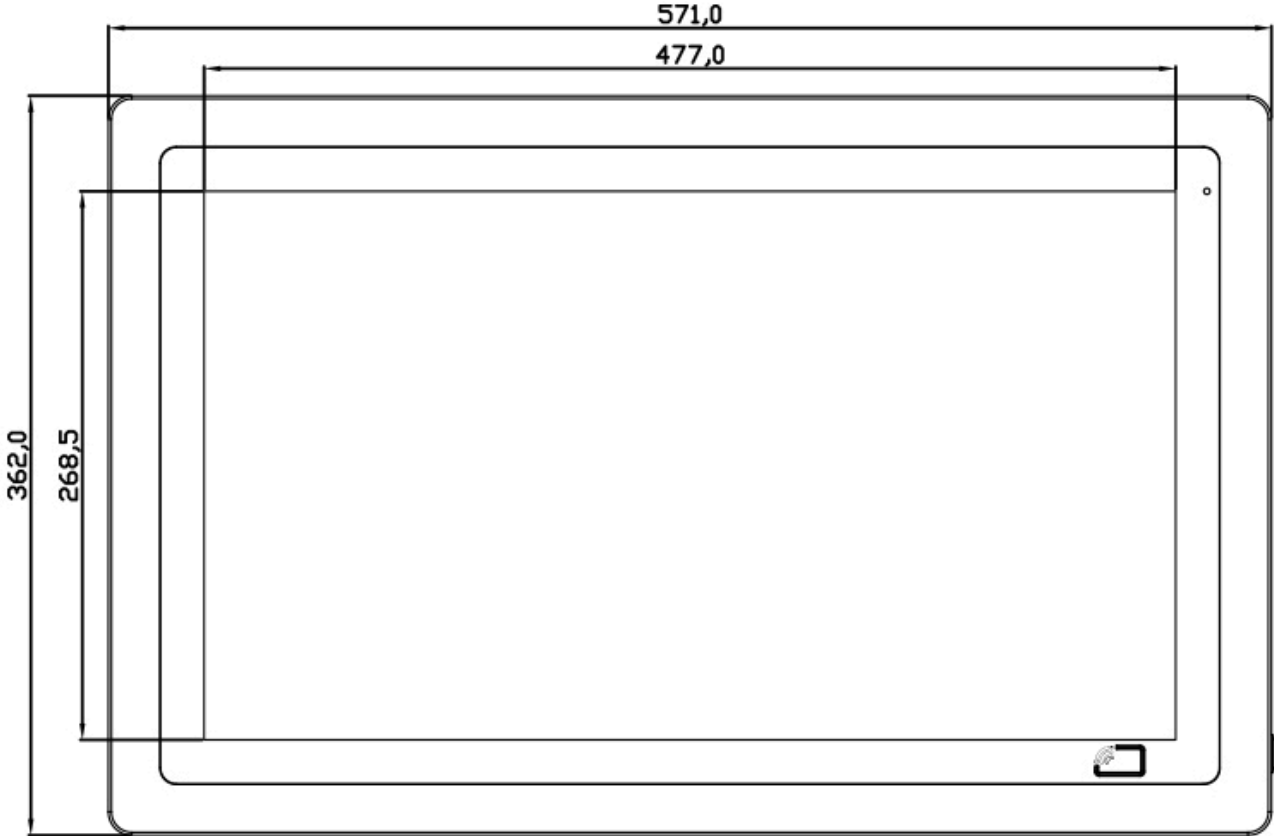
Power supply:	9 VDC to 36 VDC
Power consumption:	max. 23 W
Display:	21.5" TFT LCD
Resolution:	1,920 x 1,080 pixels
Aspect ratio:	16:9
Brightness:	300 cd/m ² 1,000 cd/m ² (optional High-Brightness LCD)
Backlight:	30,000 h runtime 50,000 h runtime (optional high-brightness LCD)
Colors:	16.7 million
Contrast:	3.000:1
Reading angle:	H: 178° / V: 178°
Touch screen:	without touch function
Processor:	Freescale i.MX6 Dual Lite 1.0 GHz
System Chipset:	SoC
RAM:	1 GB DDR3 RAM, onboard NAND Flash
SSD/HDD:	4 GB eMMC NAND Flash, onboard

Interfaces:	<p>USB: 1 x M12 8-pin (2 x USB 2.0 via cable) with waterproof termination Serial: 1 x M12 8-pin for COM 1 (RS-232/-422/485, default RS-232) with waterproof termination Ethernet: 1 x M12 A-code, 8-pin, socket (female) for Gigabit Ethernet with waterproof termination Power supply: 1 x M12 3-pin, 1 x On/Off switch (rear)</p> <p>Possible extension: 1 x M12 Available extensions: 1 x CAN via TB-528CAN2 1 x PoE module (IEEE 802.3af/at) via AG5300</p>
Expansion slots:	<p>1 x Mini PCIe for Wifi/BT (optional)</p> <p>1 x RFID (front side, see options)</p>
Housing:	Stainless steel (type 304, optionally 316)
Assembly:	VESA 100 x 100; yoke mount (swivel fork mount)
Protection class:	IP66/IP69K
Weight:	approx. 9.8 kg
Dimensions (WxHxD):	571 mm x 362 mm x 55 mm
Ambient conditions:	<p>Operation: 0 °C to +50 °C; 0 °C to +40 °C with optional high-brightness LCD Storage: -30 °C to +70 °C 10% to 90 %rH, non-condensing.</p>
Certifications:	CE/FCC class A
Operating systems:	Android Linux
Options:	<p>Wifi/BT (via Mini PCIe) RFID module (for front-side use, Mifare 13.56 MHz)</p> <p>1 x CAN via TB-528CAN2 1 x PoE module (IEEE 802.3af/at) via AG5300</p> <p>IP65 Waterproof Power Adapter Optical bonding High Brightness LCD (1000 cd/m²) Stainless steel (type 316) Linux, Android, Windows</p>

Scope of delivery:	Device 1 x M12 power supply unit 1 x M12 USB cable (1x M12 to 2x USB 2.0)
Customs tariff number:	84715000
Manufacturer:	Aplex Technology Inc.

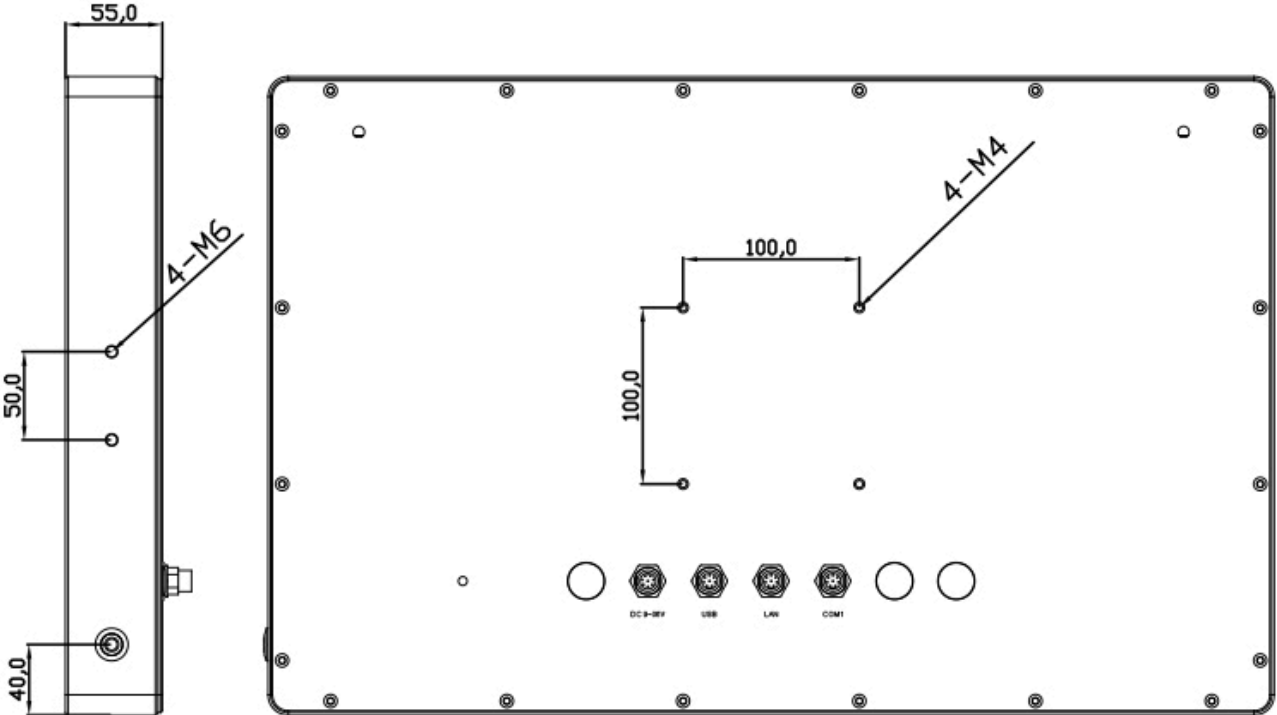
Drawings

Dimensions 01 (mm):



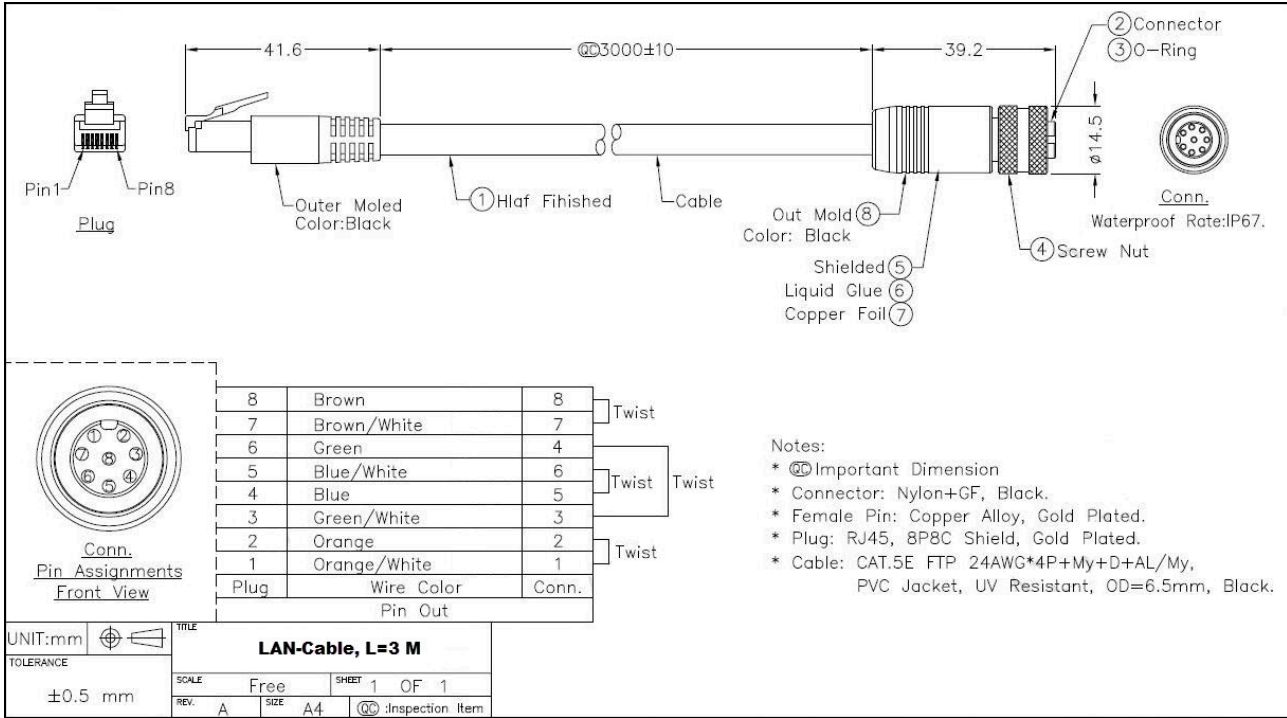
Drawings

Dimensions 02 (mm):



UNIT: mm
Tolerance: ±0.5

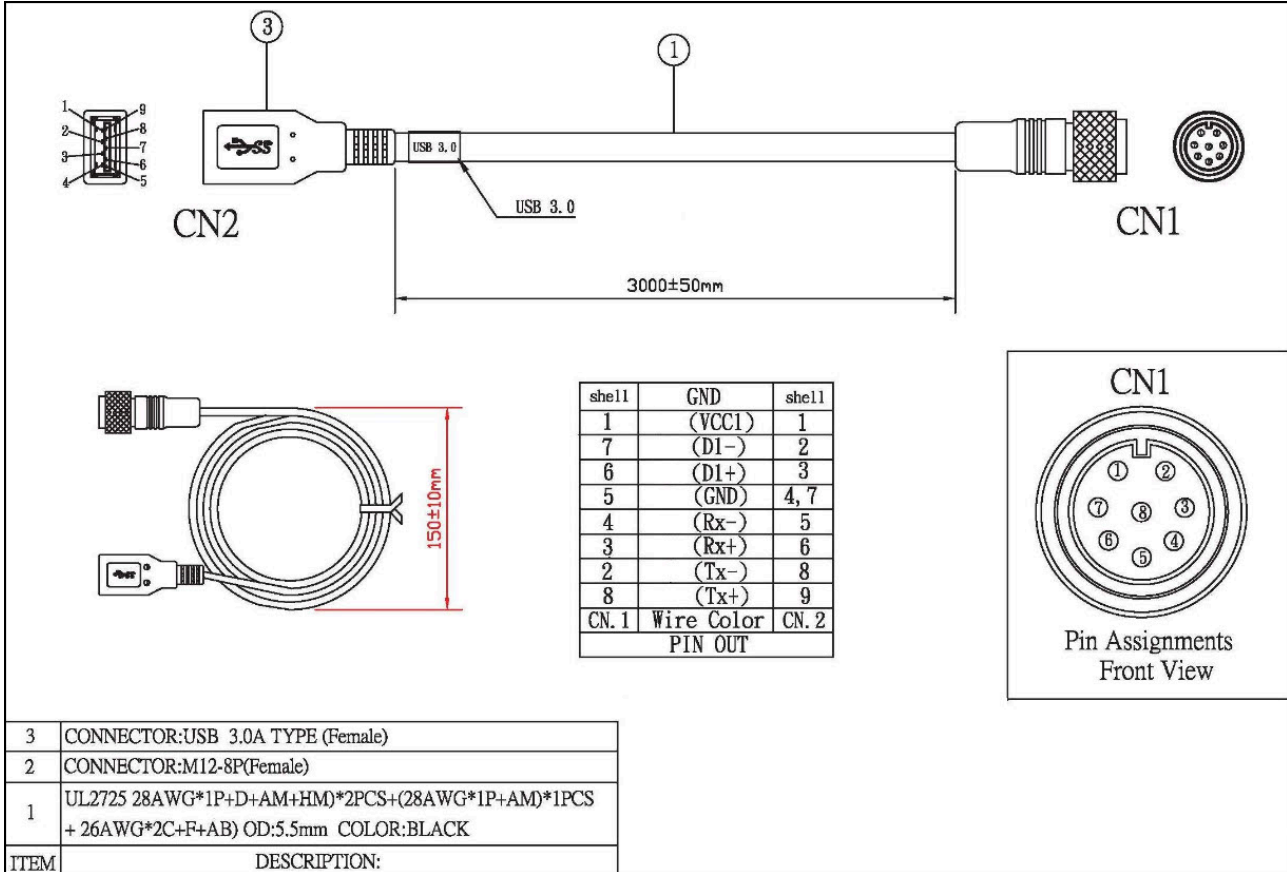
Drawings
LAN cable



(may not be included in the scope of delivery)

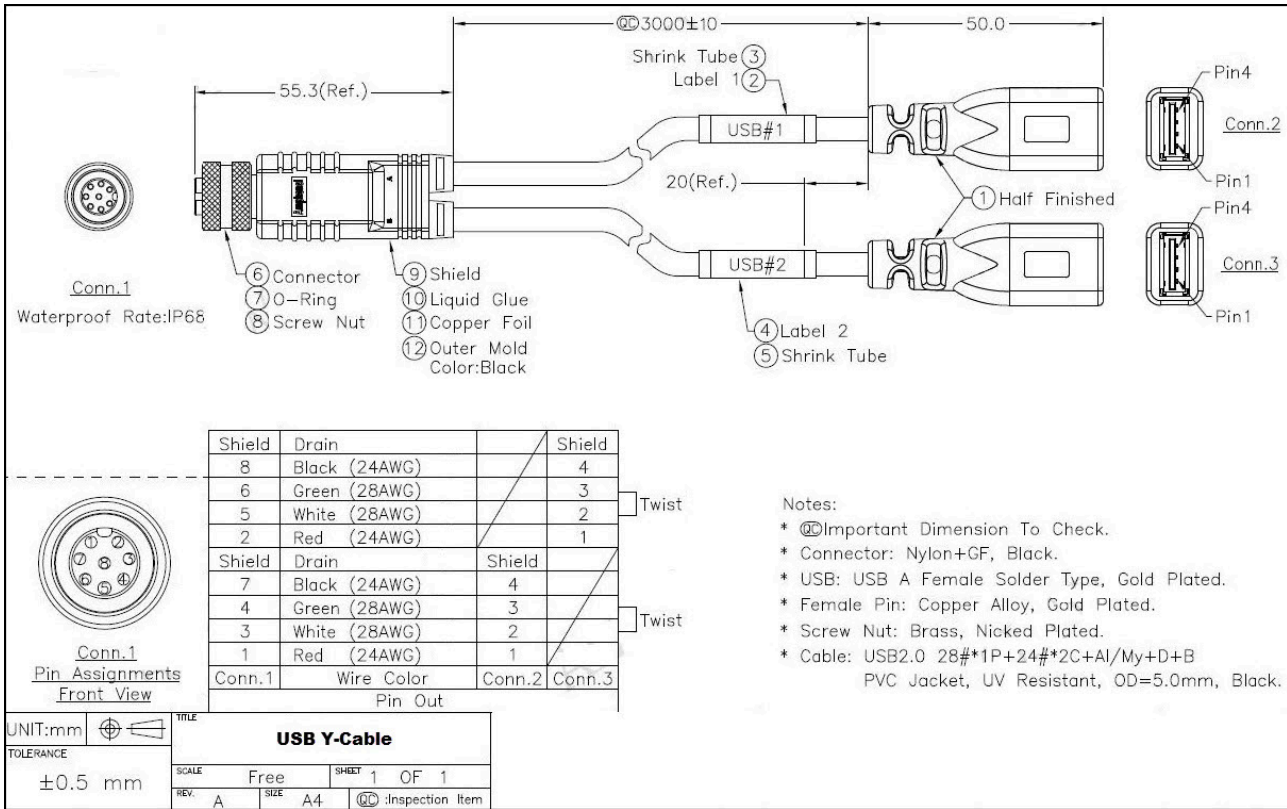
Drawings

USB 3.0 cable



(may not be included in the scope of delivery)

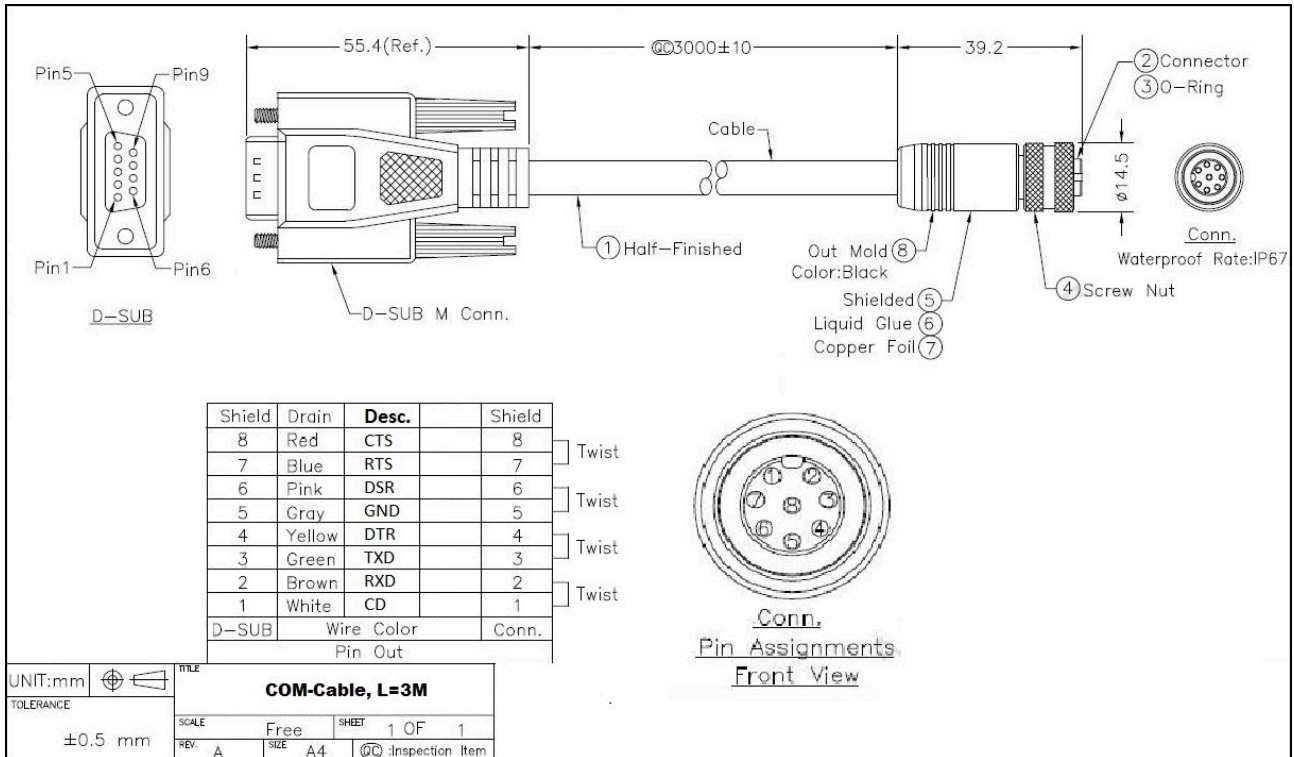
Drawings
USB Y-cable



(may not be included in the scope of delivery)

Drawings

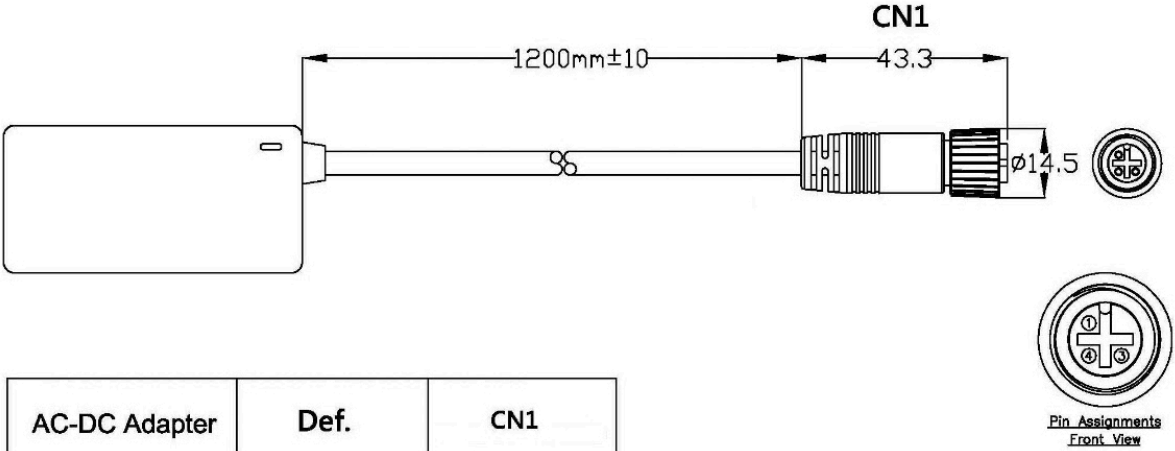
COM cable



(may not be included in the scope of delivery)

Drawings

Power adapter



AC-DC Adapter	Def.	CN1
	FG	1
(White)	VCC	3
	GND	4

(may not be included in the scope of delivery)



Wachendorff Prozesstechnik GmbH & Co. KG
Industriestrasse 7 • 65366 Geisenheim
Germany

Phone: +49 (0) 67 22 / 99 65 - 20
E-Mail: wp@wachendorff.de
www.wachendorff-prozesstechnik.de

