

## 10.1 inch Panel PC ViTAM-610P Stainless steel housing



- 10.1" TFT LCD, 1,280 x 800 pixels
- Projected capacitive touch
- Processor: Freescale i.MX6 Dual Lite 1.0 GHz
- IP66/IP69K stainless steel housing with M12 connections
- Flush frame design
- Fanless cooling system
- Reading angle horizontal 170°, vertical 170°

<https://www.wachendorff-prozesstechnik.de/en/ViTAM-610P>

### Description

The ViTAM-6 series is based on a Freescale i.MX6 Dual Lite 9 1.0 GHz processor.

The industrial panel PCs in this series are available in display sizes from 10.1" to 15", with either a projected capacitive or resistive touchscreen. The projected capacitive touch enables multi-touch operation with a corresponding operating system. If pressure-sensitive operation is required (e.g. with gloves), the resistive touch is the right choice. The front panels are absolutely flush with the stainless steel housing (type 304). The housing is designed in IP69K (incl. IP66) with M12 connection options. An on/off button is also integrated on the side of the Panel PC. The unique fanless thermal design of the robust stainless steel housing enables effective temperature control. The ViTAM IPCs can be optionally equipped with a high-brightness LCD and/or optical bonding for an outstanding display, even under the most difficult conditions. In addition, expansion cards can be integrated for additional interfaces, RFID or even the supply of the panel PC via Power over Ethernet (POE).

### Product details

Power supply:	9 VDC to 36 VDC Power consumption: max. 10.3 W
Power consumption:	max. 10 W
Display:	10.1" TFT LCD
Resolution:	1280 x 800 pixels
Aspect ratio:	16:10
Brightness:	350 cd/m <sup>2</sup> (optional High Brightness LCD 1000 cd/m <sup>2</sup> )
Colors:	16.7 million
Contrast:	800:1
Reading angle:	H: 170° / V: 170°
Touch screen:	projects capacitively
Processor:	Freescale i.MX6 Dual Lite 1.0 GHz
System Chipset:	SoC
RAM:	1 GB DDR3 RAM, onboard NAND Flash
SSD/HDD:	4 GB eMMC NAND Flash, onboard

Interfaces:	<p>USB: 1 x M12 8-pin (2 x USB 2.0 via cable) with waterproof termination            Serial: 1 x M12 8-pin for COM 1 (RS-232/-422/485, default RS-232) with waterproof termination            Ethernet: 1 x M12 A-code, 8-pin, socket (female) for Gigabit Ethernet with waterproof termination            Other: 1 x On/Off button (on the side)            Power supply: 1 x M12 3-pin, 1 x On/Off switch (rear)</p> <p>Possible extension: 1 x M12            Available extensions:            1 x CAN via TB-528CAN2            1 x PoE module (IEEE 802.3af/at) via AG5300</p>
Expansion slots:	<p>1 x Mini PCIe for Wifi/BT (optional)            1 x RFID (front side, see options)</p>
Housing:	Stainless steel (type 304, optionally 316)
Assembly:	VESA 75 x 75; yoke mount (swivel fork mount)
Protection class:	IP66/IP69K
Weight:	approx. 3.8 kg
Dimensions (WxHxD):	300 mm x 220 mm x 53 mm
Ambient conditions:	<p>Operation: -20 °C to +60 °C ;            Storage: -30 °C to +70 °C            10% to 90 %rH, non-condensing.</p>
Certifications:	CE/FCC class A
Operating systems:	Android Linux
Options:	<p>Wifi/BT (via Mini PCIe)            RFID module (for front-side use, Mifare 13.56 MHz)</p> <p>1 x CAN via TB-528CAN2            1 x PoE module (IEEE 802.3af/at) via AG5300</p> <p>IP65 Waterproof Power Adapter            Optical bonding            High Brightness LCD (1000 cd/m<sup>2</sup>)            Stainless steel (type 316)            Linux, Android, Windows</p>
Scope of delivery:	<p>Device            1 x M12 plug-in power supply            1 x M12 USB cable (1x M12 to 2x USB 2.0)</p>

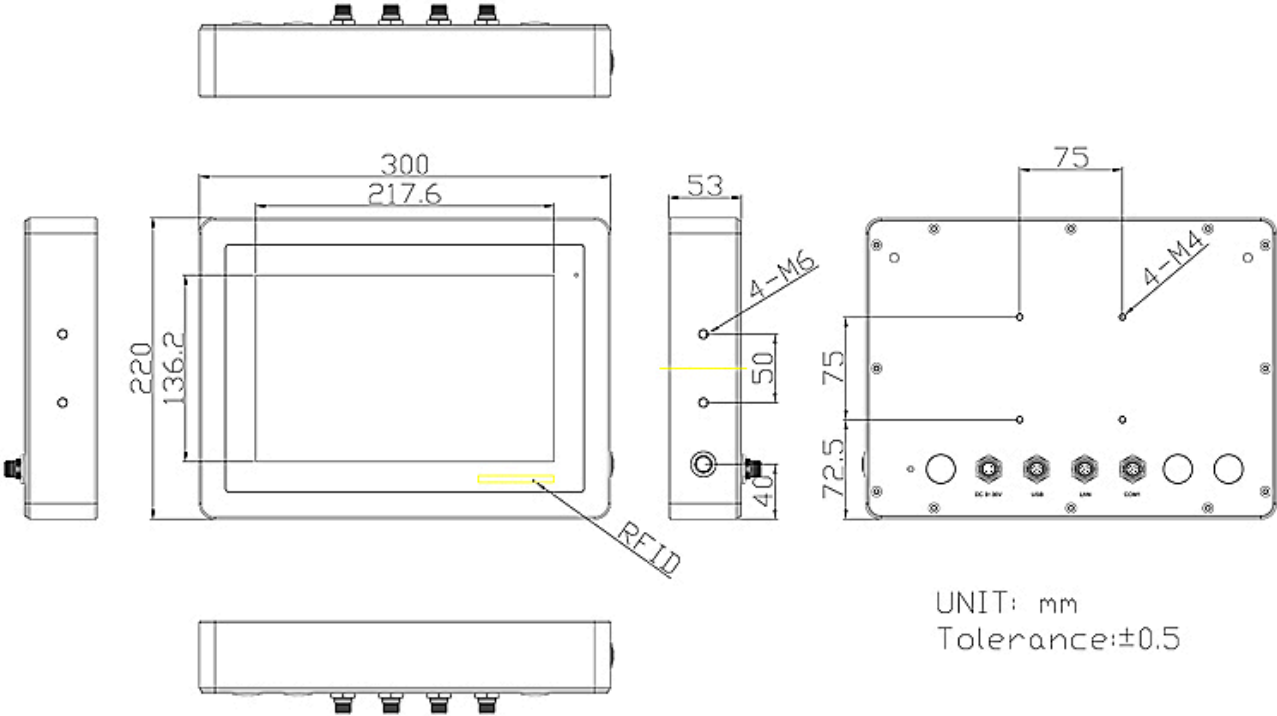
---

Customs tariff number:	84715000
Manufacturer:	Aplex Technology Inc.

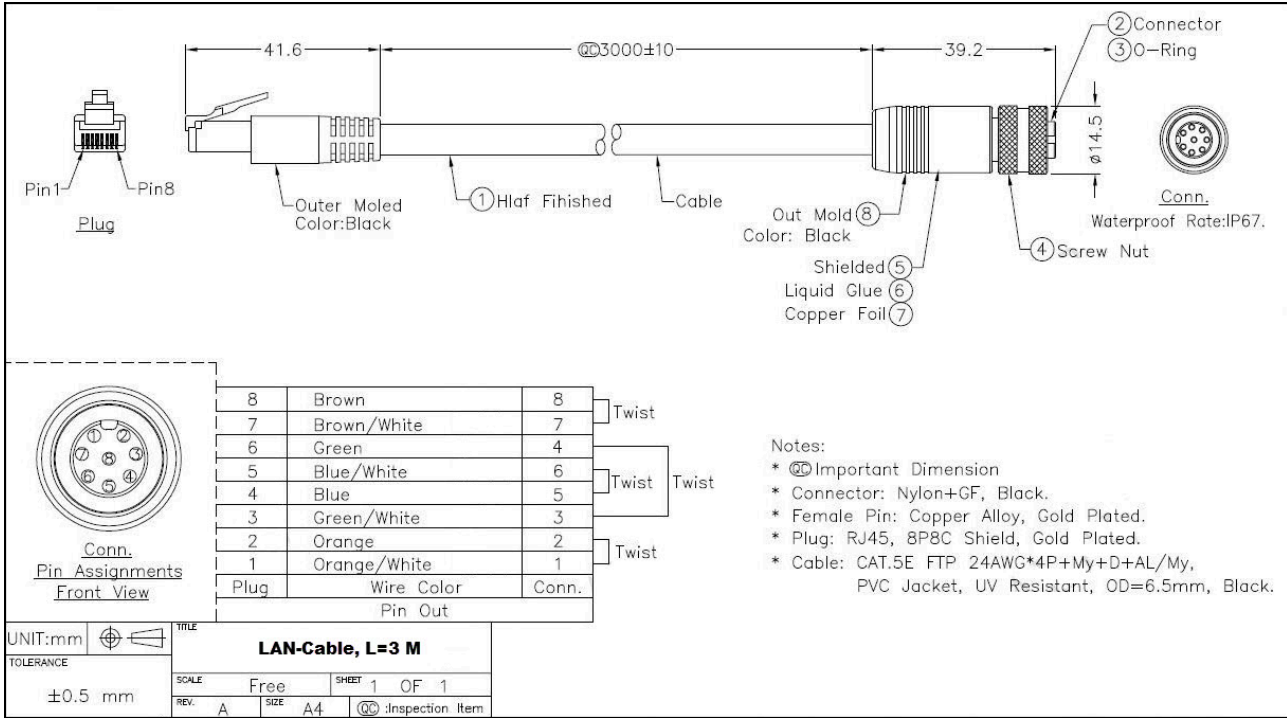
---

**Drawings**

**Dimensions (mm):**



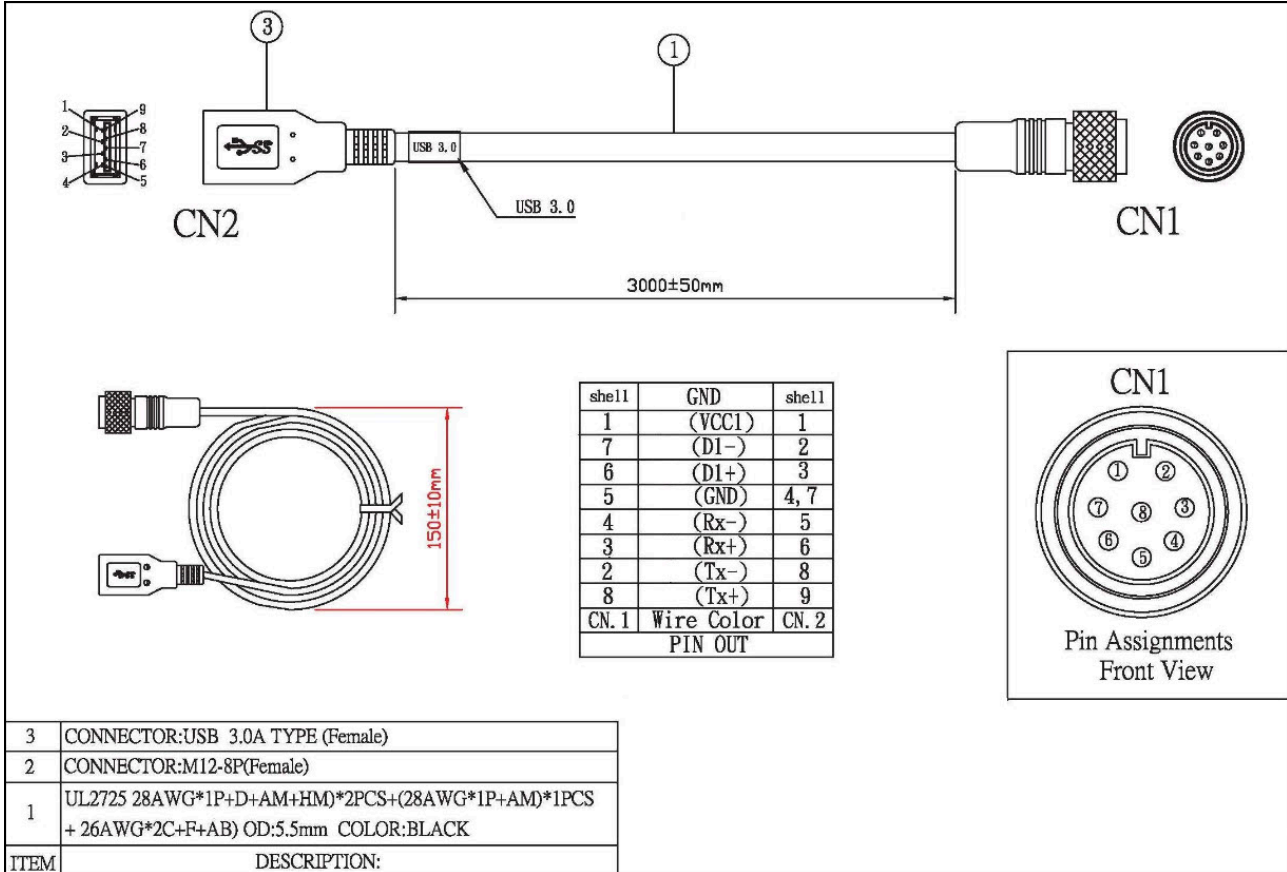
**Drawings**  
**LAN cable**



(may not be included in the scope of delivery)

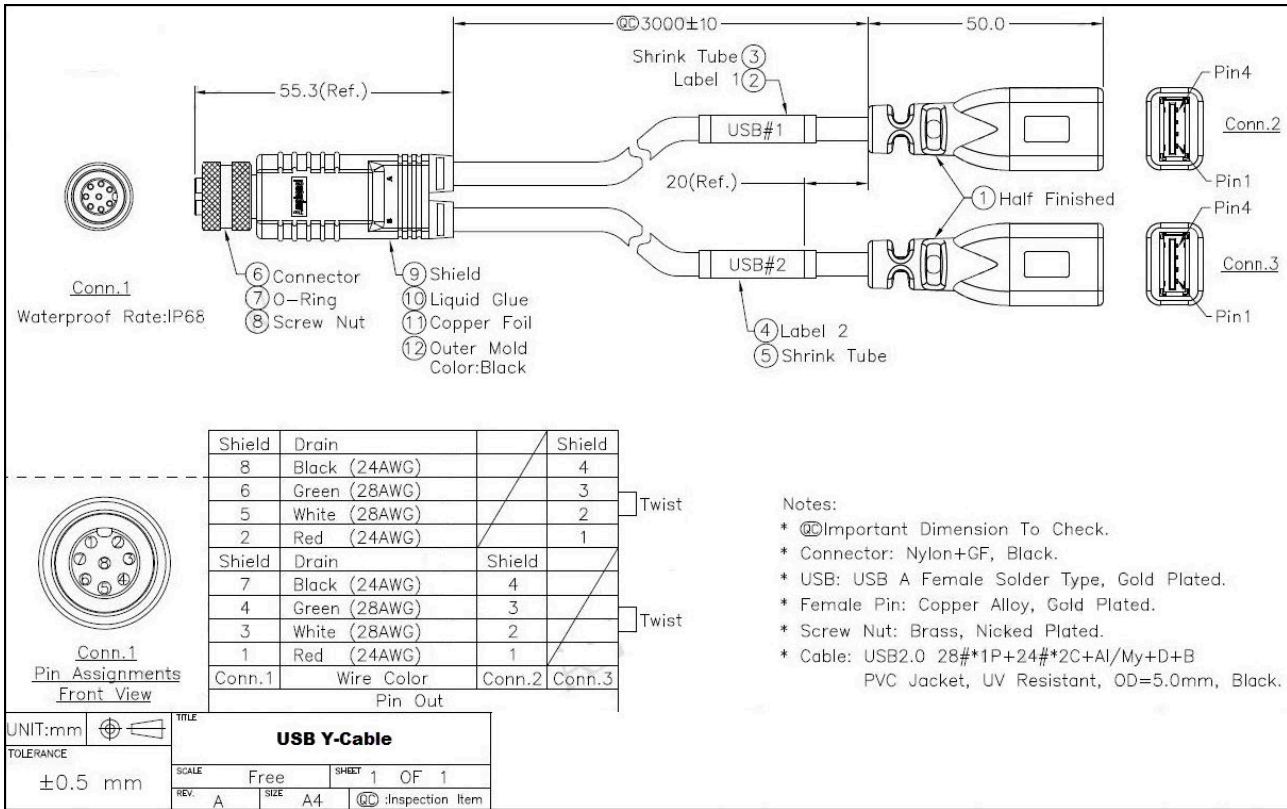
**Drawings**

**USB 3.0 cable**



(may not be included in the scope of delivery)

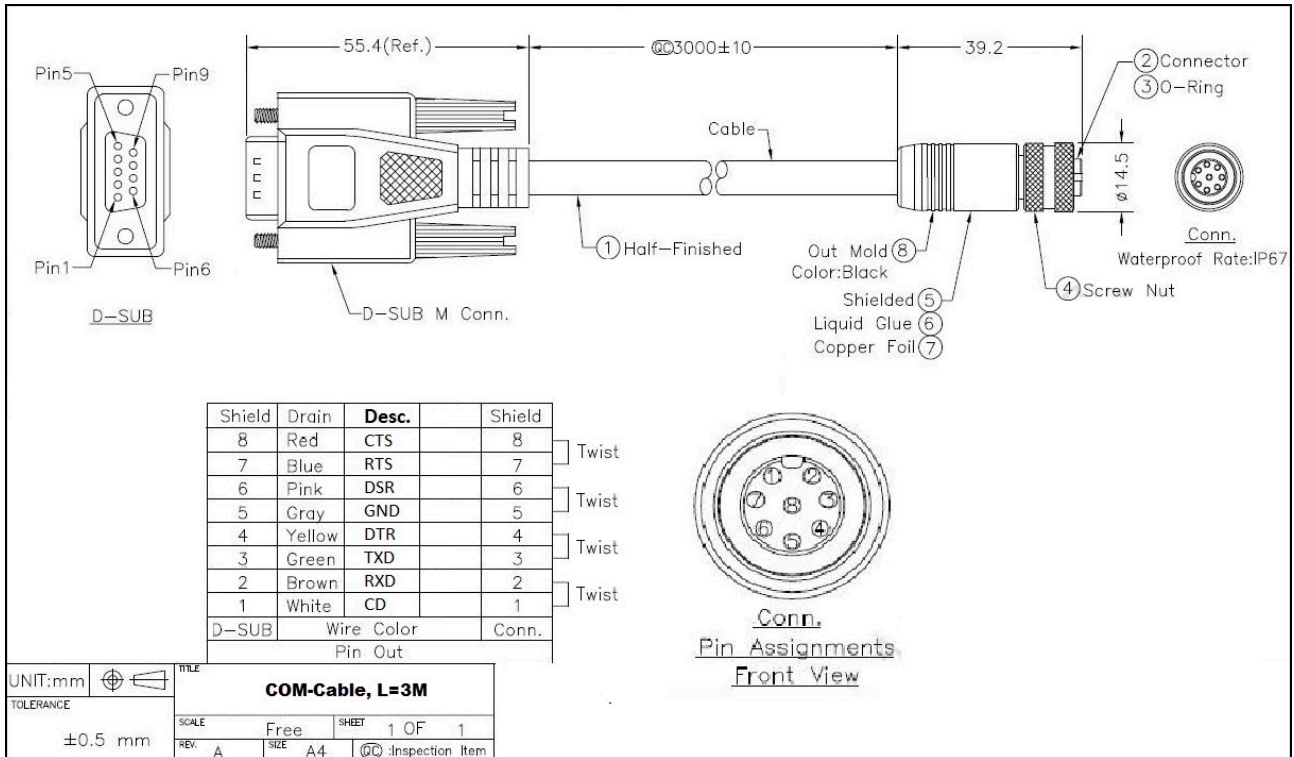
**Drawings**  
**USB Y-cable**



(may not be included in the scope of delivery)

**Drawings**

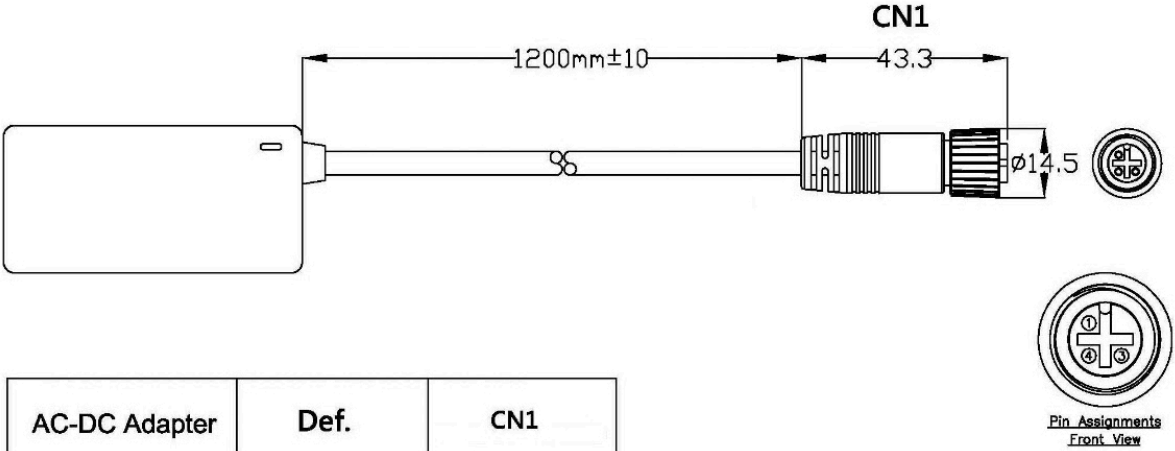
**COM cable**



(may not be included in the scope of delivery)

**Drawings**

**Power adapter**



AC-DC Adapter	Def.	CN1
	FG	1
(White)	VCC	3
	GND	4

(may not be included in the scope of delivery)



Wachendorff Prozesstechnik GmbH & Co. KG  
Industriestrasse 7 • 65366 Geisenheim  
Germany

Phone: +49 (0) 67 22 / 99 65 - 20  
E-Mail: [wp@wachendorff.de](mailto:wp@wachendorff.de)  
[www.wachendorff-prozesstechnik.de](http://www.wachendorff-prozesstechnik.de)

