

10.1 inch industrial display



- 10.1" brilliant TFT-LCD graphic display, 1280 x 800 pixels
- Robust aluminum housing, low installation depth
- High protection class IP65, flush-mounted design
- HDMI, DVI and VGA interface
- Display with resistive touch

<https://www.wachendorff-prozesstechnik.de/en/DPL005-101R002P>

Description

The Series 2 industrial displays are available in sizes from 10.1" to 21.5" and can be equipped with either a projected capacitive, resistive or no touchscreen. Particularly noteworthy is the extremely narrow display edge, which enables an almost frameless design.

The housings are IP65 rated on the front and have a very compact and robust design thanks to the specially constructed aluminum housing. The low installation depth means that the displays can be used almost anywhere.

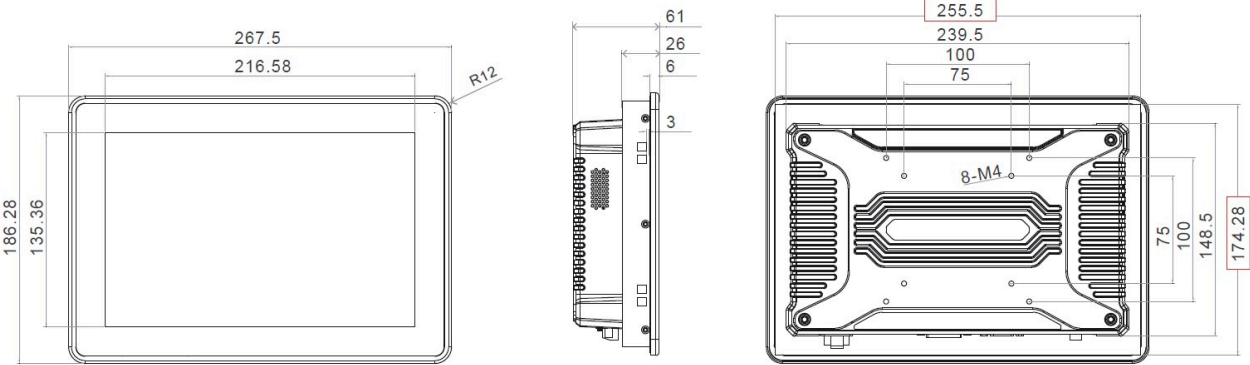
Scope of delivery:	1x device 1x mounting material 1x RJ-45 to USB cable 1x VGA cable (standard length: 1.5 m)
Customs tariff number:	85285210
Manufacturer:	Wachendorff Prozesstechnik

Product details

Power supply:	Hollow connector 5.5 x 2.5 mm: 12 VDC to 36 VDC 2 Pin Connector: 12 VDC to 36 VDC
Power consumption:	Typical power consumption: 18 W Maximum power consumption: 48 W
Display:	10.1" TFT LCD
Resolution:	1280 x 800 pixels
Aspect ratio:	16:10
Brightness:	300 cd/m ² 1000 cd/m ² (High Brightness)
Colors:	16.7 million
Reading angle:	85/85/85/85 (L/R/U/D)
Touch screen:	resistive touch
Glass hardness:	3H
Interfaces:	USB: RJ45-USB for touch Display: 1x HDMI, 1x DVI, 1x VGA Audio output: 3.5 mm jack
Housing:	Robust aluminum housing
Assembly:	VESA 100 x 100 and/or 75 x 75 Panel mounting
Protection class:	Front IP65
Weight:	approx. 2.2 kg
Dimensions (WxHxD):	267.5 mm x 186.28 mm x 61 mm
Ambient conditions:	Operation: -10 °C to +60 °C, Optional WT: -20 °C to +70 °C High Brightness: -20 °C to +70 °C Storage: -20 °C to +70 °C Up to 95 % r. h., non-condensing
Certifications:	CE FCC Class A CCC

Drawings

Dimensions (mm) and STL file/viewer:





Wachendorff Prozesstechnik GmbH & Co. KG
Industriestrasse 7 • 65366 Geisenheim
Germany

Phone: +49 (0) 67 22 / 99 65 - 20
E-Mail: wp@wachendorff.de
www.wachendorff-prozesstechnik.de

