

## HMI 4.3" widescreen, CR30000400000310



- IP66 (front side)
- High temperature range
- High shock and vibration range
- CE, UL/cUL, UL/CUL
- Supports over 300 industrial drivers
- SD card slot for database upload/download
- Integrated web server for remote access
- Real-time data logging

<https://www.wachendorff-prozesstechnik.de/en/CR30000400000310>

### Description

The CR3000 Series HMIs offer industry-leading protocol conversion and connectivity options and advanced visual display capabilities to provide HMIs that easily scale and adapt to changing requirements. The HMIs combine an ever-growing list of over 300 industrial drivers with the intuitive and powerful Crimson 3.1 development platform to create a user experience that easily adapts to changing requirements and growing operations. In addition to meeting basic machine interface and protocol conversion requirements, the CR3000 series devices also provide real-time data logging and integrated web servers to meet more demanding requirements.

### Product details

Power supply:	10 VDC to 30 VDC
	A Class 2 circuit in accordance with the National Electrical Code (NEC) must be used, NFPA-70 or Canadian Electrical Code (CEC), Part I, C22.1 or a limited power supply (LPS) according to power supply (LPS) according to IEC 60950-1 or limited power supply according to IEC 61010-1.
	Battery: Lithium coin cell with a typical life of 5 years
Power connection	High-density cage clamp terminal strip Cable stripping length: 7.5 mm Conductor cross-section cable: 0.20 mm to 3.31 mm <sup>2</sup> (12 to 24 AWG) copper wire Torque: 0.5 Nm to 0.6 Nm (4.4 inch-lbs to 5.3 inch-lbs)
Display:	4.3" 480 x 272 pixel TFT-LCD touch display in widescreen format with 16M colors.
Project planning:	Crimson 3.1 development platform

### Integration skills:

- The Crimson 3.1 software enables configuration at the click of a mouse.
- Updated 3D icons and standard elements create a modern user experience.
- Ethernet, USB and serial interfaces make communication easy.
- Web server provides remote access and control to reduce costly site visits.
- Send email and/or SMS notifications for alarm conditions (expansion module required).
- Integrated data logging improves troubleshooting and fault resolution. Helps meet regulatory requirements.
- Automate the populating of data values with SQL query function.

### Protocol conversion:

- Communication with over 300 protocols
- Easy conversion between serial, USB and Ethernet devices
- Convert up to 15 protocols simultaneously with the CR3000 series.
- Manage environments with devices from multiple vendors with ease.

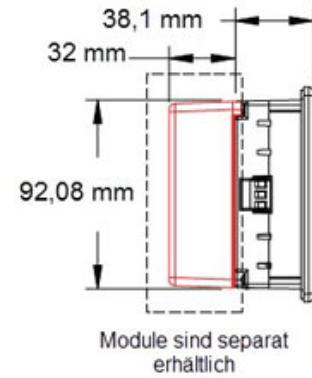
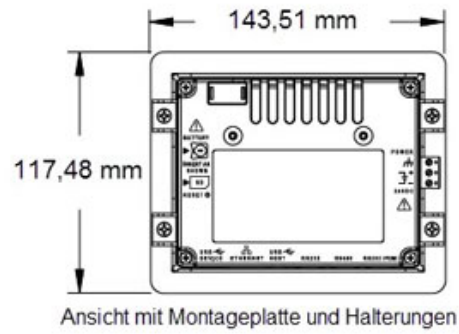
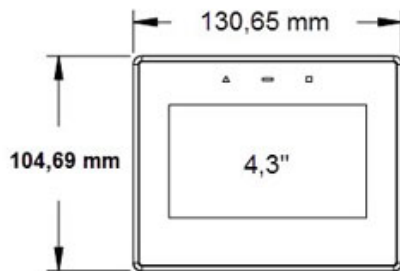
Interfaces:	<ul style="list-style-type: none"> <li>• USB ports: USB device: 1x USB device Type B complies with USB specification 1.1 USB host: 1x USB host port Type A complies with USB specification 2.0 and supports full speed. Data transfers with hardware overcurrent protection (max. 0.5 A per port)</li> <li>• Serial ports for programming or communication: Format/baud rates independently configurable 2x RS232 and 1x RS422/RS485</li> <li>• Ethernet ports: 1500 Vrms Network isolation 1x 10/100 BASE-T(X) ports (RJ45)</li> </ul>
Network media:	10BaseT: > Cat3 cable 100BaseTX: ≥ Cat5 cable

Protection class:	IP66 on the front, when mounted
Housing:	Polycarbonate housing with NEMA 4X/ IP66 protection class for indoor use, when properly fitted with the supplied gasket. Installation category II, pollution degree 2.

Vibration:	2g at 5 Hz to 500 Hz according to IEC 68-2-6
Shock:	30g, IEC 68-2-27
Rel. humidity:	max. 85% rH, non-condensing
Operating altitude:	Up to 2000 m
Operating temperature:	-10 °C to +50 °C
Storage temperature:	-20 °C to +70 °C
Weight:	454 g
Certificates:	CE-tested Interference immunity: IEC/EN 61000-6-2 for industrial locations Emissions: IEC/EN 6100-6-4 for industrial sites; CISPR 11 Class A Safety: IEC/EN 61010-1 RoHS compliant UL listed Class I, Division 2, Groups A, B, C and D Type 4X Indoor / IP66 protection class (front only)

**Drawings**

**Dimensions**



**Downloads / FAQ**

The following files could be downloaded from our website directly from this product under the tab "Drawings":

**2D/3D-Dateien CR30000400000310:**

CR30000400000310\_STEP.zip



Wachendorff Prozesstechnik GmbH & Co. KG  
Industriestrasse 7 • 65366 Geisenheim  
Germany

Phone: +49 (0) 67 22 / 99 65 - 20  
E-Mail: [wp@wachendorff.de](mailto:wp@wachendorff.de)  
[www.wachendorff-prozesstechnik.de](http://www.wachendorff-prozesstechnik.de)

