

Operating unit / HMI WBGAC070E



- 7" TFT LCD graphic display 800 x 480 pixels
- LED backlight
- Plastic housing in slim design
- Fanless cooling system
- Real-time clock RTC
- IP65 front, NEMA4 compliant
- Coated circuit board is protected against corrosion and ensures high reliability in harsh environments
- COM1 or COM3 (2-wire RS485) supports MPI up to 187.5 k
- USB host

<https://www.wachendorff-prozesstechnik.de/en/WBGAC070E>

Description

The WBGAC070E from Weintek is specially designed for small and medium-sized operating and monitoring tasks in all areas of industrial automation. The device is equipped with all the necessary functions, but dispenses with special features and rarely required hardware, thereby significantly increasing the price/performance ratio. Particular attention was paid to a compact design. Space is money! With an installation depth of just 27 mm, the WBGAC070E can be used almost anywhere. The color-neutral plastic housing is ideal for applying your own designed front foil, e.g. with your logo or the device name in your own colors. Your creativity is only limited by the dimensions of the device.

Wachendorff operating devices are industrially robust. The circuit board of the WBGAC070E is additionally protected against corrosion and moisture by a special coating. The RS485 serial interface is double galvanically isolated. This makes the device ideal for use in harsh industrial environments and ensures reliable operation and a long service life. The fanless system with 32-bit CortexA8 processor and 600 MHz clock has plenty of computing power and impresses with pleasantly fast page switching. The "EasyBuilder Pro" project planning software for the Wachendorff WBG series makes no special demands on your PC, is easy to use and is available free of charge.

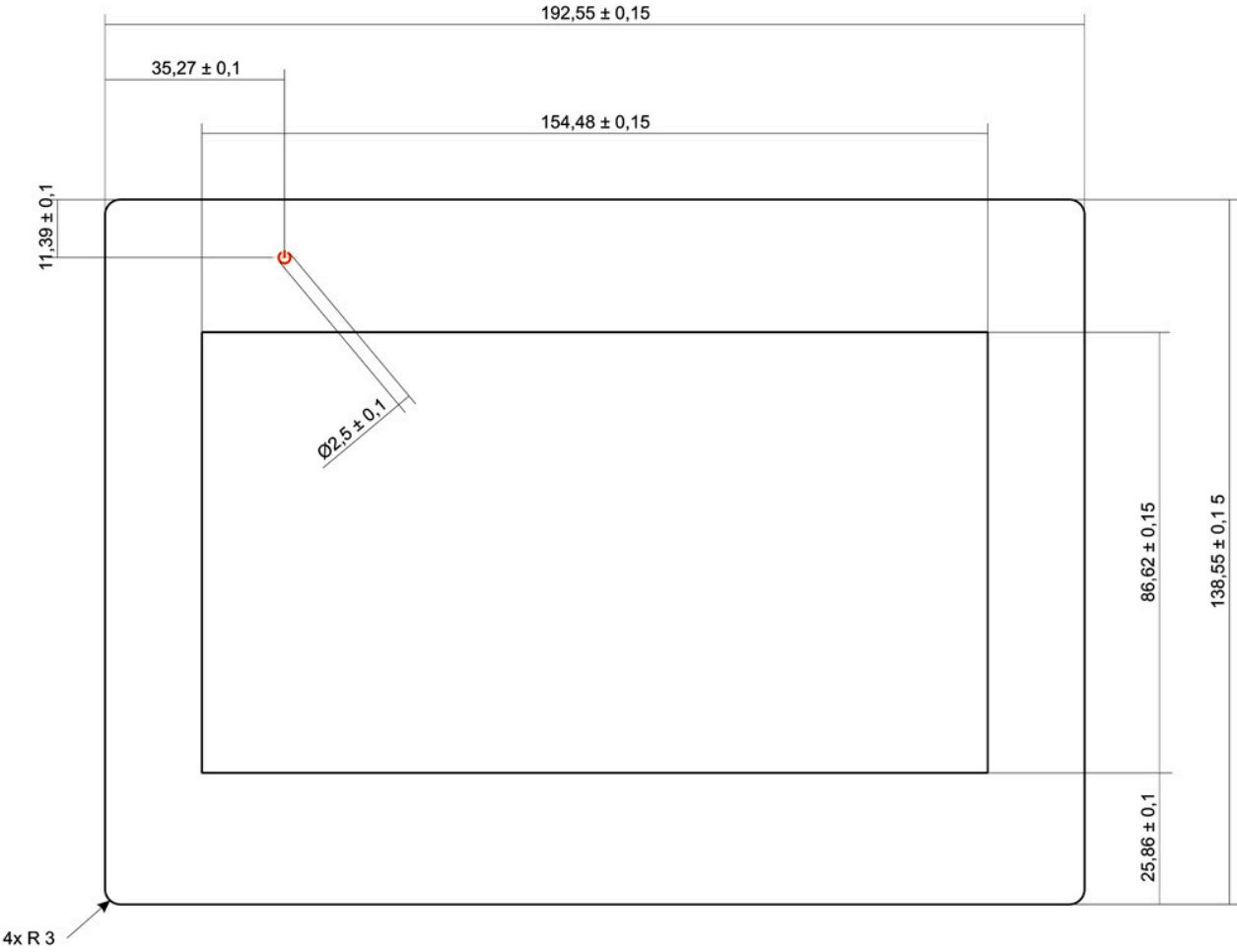
Ethernet:	10/100 Base-T with RJ45 plug
Real-time clock:	Integrated real-time clock RTC
Protection class:	IP65
Shock:	10 Hz to 25 Hz (X, Y, Z direction 2 g over 30 minutes)
Housing:	Robust plastic housing.
Weight:	520 g
Ambient temperature:	Operation: 0 °C to +50 °C. Storage: -20 °C to +60 °C.
Software:	EasyBuilder Pro from version 4.00.01 or higher
Scope of delivery:	Device, seal, mounting material
Manufacturer:	Weintek Labs, Inc

Product details

Power supply:	24 VDC +/-20 %; typ. 500 mA max. Connection via pluggable 3-pole terminal strip.
Display:	Size: 7" Resolution: 800 x 480 pixels Display: TFT-LCD Touch Brightness: 350 cd/m ² Colors: 16 million Contrast: 500 : 1
Touch display:	4-wire analog resistive. Backlight via LED with a typical service life of 30,000 hours.
Indicators:	1 LED to indicate the power supply.
CPU and core logic:	32 bit RISC Cortex 8, 600 MHz processor. Linux-based operating system.
Memory:	- 128 MB RAM - 128 MB memory
USB port:	1 x USB 2.0 host
Serial interfaces:	COM1: RS232 / RS485 2-/4-wire, COM3: RS485 2-wire. RS485 interfaces are MPI-capable up to 187,500 baud.

Drawings

Overlay for your customized WBGAC070E/S



Downloads / FAQ

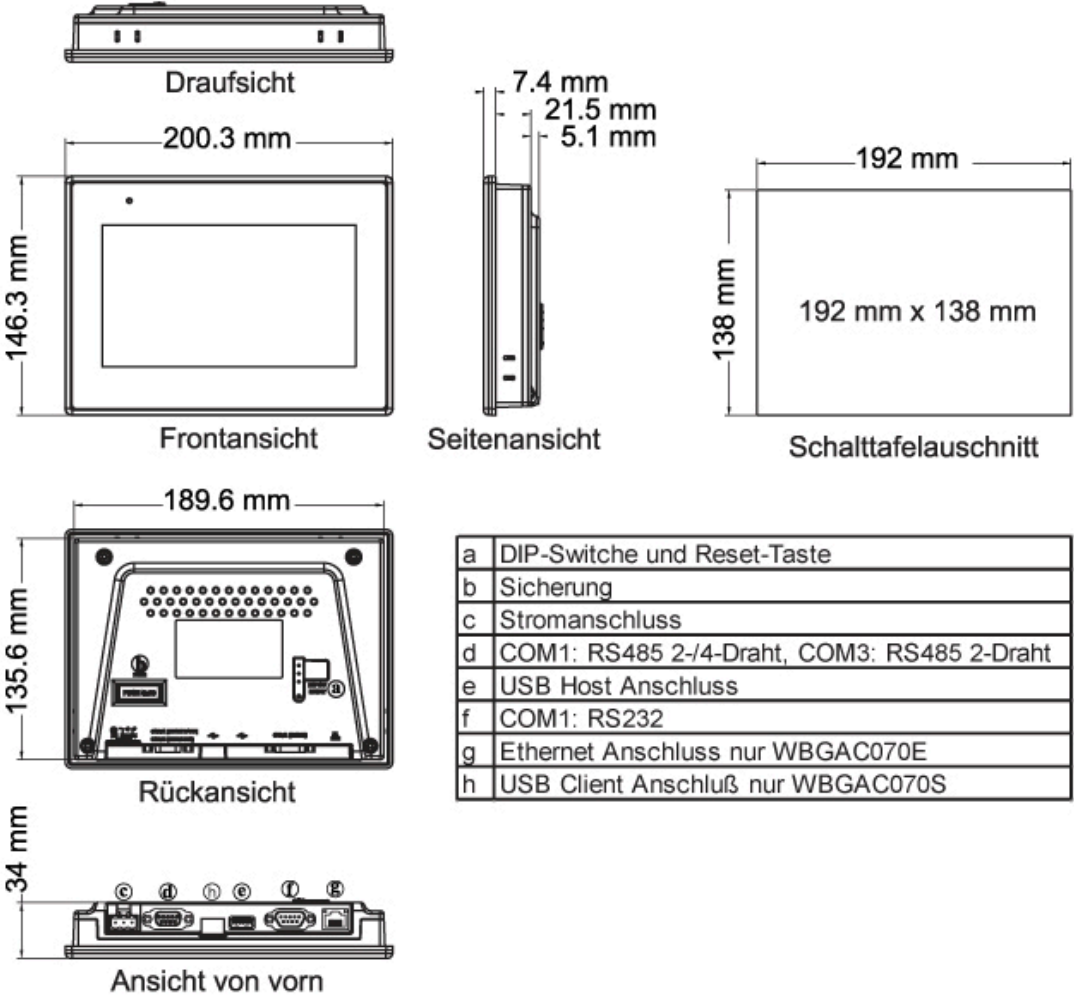
The following files could be downloaded from our website directly from this product under the tab "Drawings":

Design basis for your overlay as PDF

WBGFOL0_AC070E.pdf

Drawings

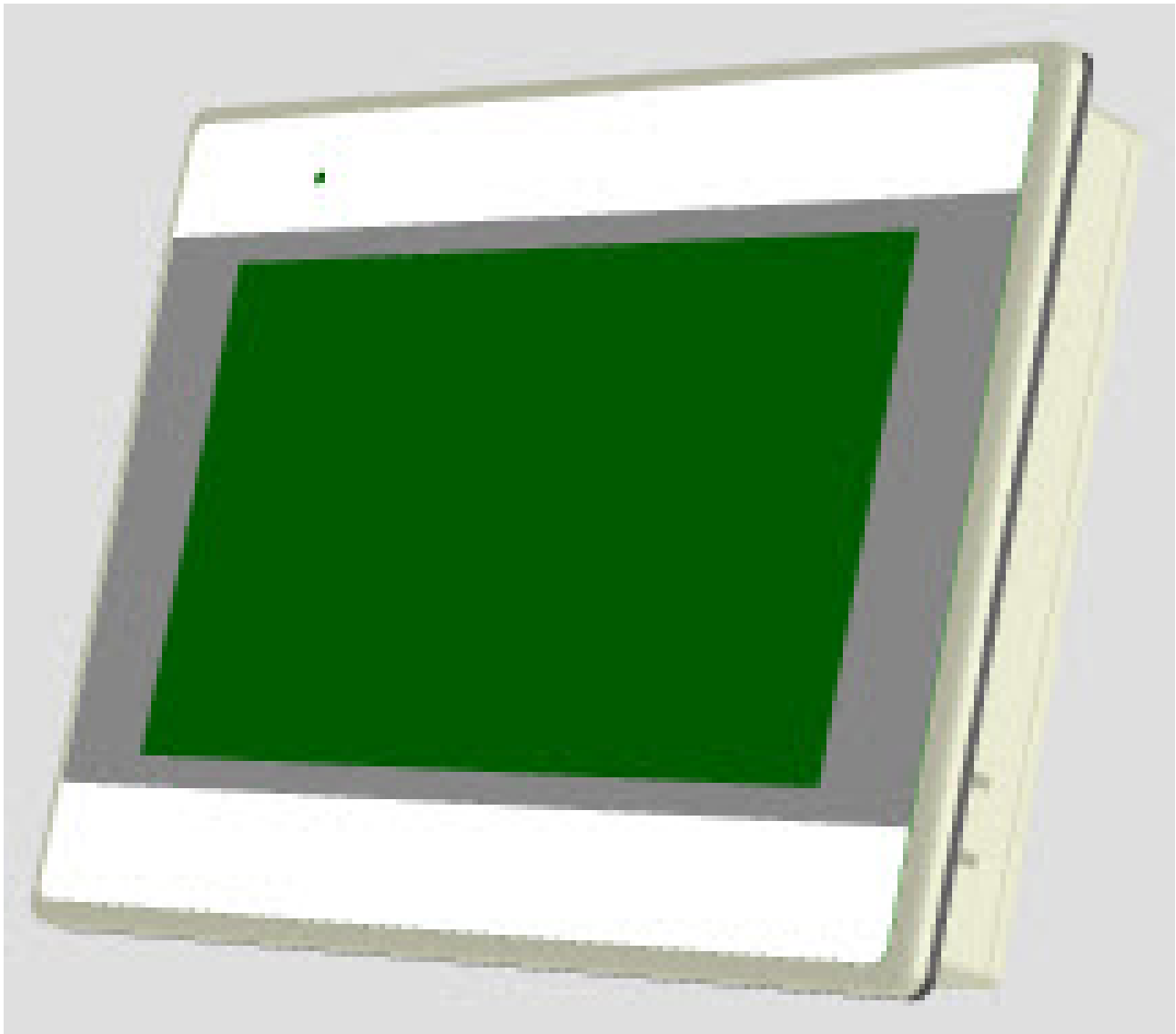
Dimensions



a	DIP-Switche und Reset-Taste
b	Sicherung
c	Stromanschluss
d	COM1: RS485 2-/4-Draht, COM3: RS485 2-Draht
e	USB Host Anschluss
f	COM1: RS232
g	Ethernet Anschluss nur WBGAC070E
h	USB Client Anschluß nur WBGAC070S

Drawings

Step file



Step file as .rar

WBGAC070E.rar



Wachendorff Prozesstechnik GmbH & Co. KG
Industriestrasse 7 • 65366 Geisenheim
Germany

Phone: +49 (0) 67 22 / 99 65 - 20
E-Mail: wp@wachendorff.de
www.wachendorff-prozesstechnik.de

