

PROFIBUS-DP communication module CRM000CMPBDP0000



- PROFIBUS DP protocol conversion
 - Easy integration of selected Red Lion devices into PROFIBUS DP protocol networks
 - 9-pin serial connection for easy installation
 - Automatic baud rate detection from 9.6 Kbaud up to 12 Mbaud
 - Converts between CAN and more than 300 different protocols.
- All-in-one solution
 - No external devices and communication gateways required
 - Cost-effective, space and time saving
- -10 °C to 50 °C operating temperature
 - Works reliably in harsh environments
- Powered by the host device
 - Simplifies deployment by eliminating external power external power supply.
- Easy to program
 - Seamless configuration with Red Lion Desktop Crimson software.

<https://www.wachendorff-prozesstechnik.de/en/CRM000CMPBDP0000>

Description

Red Lion's CMPB module enables easy integration of selected devices into PROFIBUS protocol networks with distributed peripherals (DP) and translation to more than 300 industrial protocols. Configure the CMPB module with Red Lion's Crimson® software, which simplifies setup via an intuitive graphical user interface with drag-and-drop functionality.

Product details

Power supply:	CMPB Max. Power: 2.6 W (provided by the host device)
Communication features:	PROFIBUS protocol port: PROFIBUS DP according to EN 50 170 Baud rates: 9.6 Kbaud to 12 Mbaud - automatic detection Station address: programmable range from 1 to 125 Isolation from CR3000 HMI host 500 Vrms VDC for 1 minute Output power: +5 VDC @ 90 mA max. on the D-Sub Connection pins 5 (GND) and 6 (+5 V)
Ambient conditions:	Operating temperature range: -10 °C to +50 °C Storage temperature range: -40 °C to +85 °C Relative humidity: 85 % max. relative humidity, non-condensing from 0 °C to +50 °C Altitude: Up to 2000 meters
Compatible HOST devices:	CR3000 Series DA30D High Performance Data Station

Certifications and conformities:

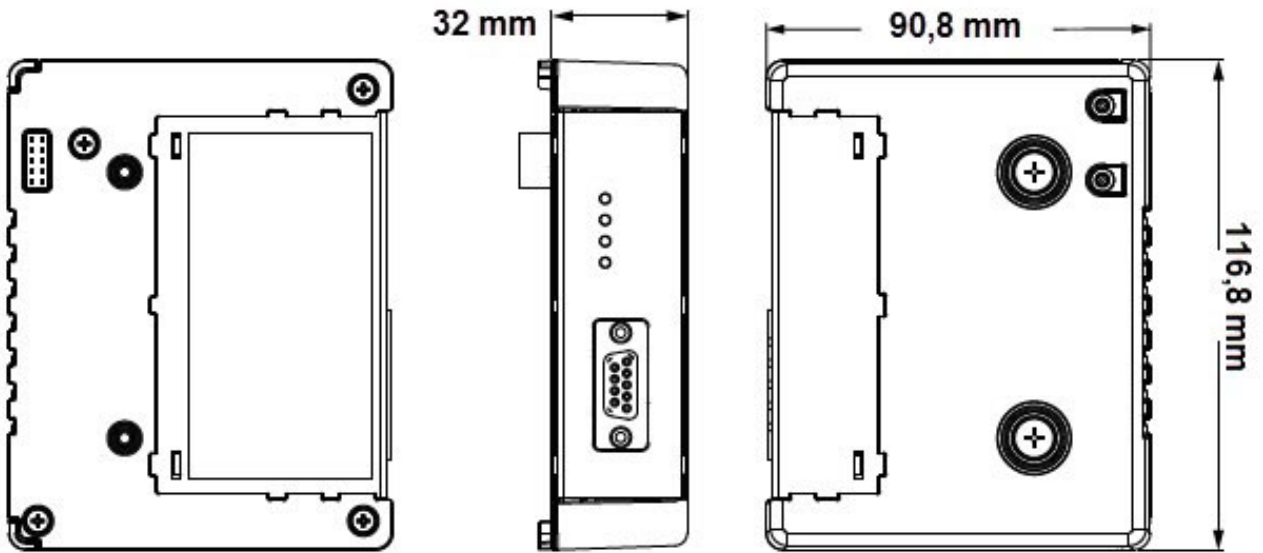
Product safety:
 UL Safety - Class I, Division 2, Groups A, B, C, D, Class II, Division 2, Groups F and G, Class III Hazardous areas
 CE-approved:
 EN 61326-1 for industrial locations
 IEC/EN 61010-1
 RoHS compliant

Dimensions (W x H x D):

32 mm x 116.8 mm x 90.8 mm

Drawings

Dimensions





Wachendorff Prozesstechnik GmbH & Co. KG
Industriestrasse 7 • 65366 Geisenheim
Germany

Phone: +49 (0) 67 22 / 99 65 - 20
E-Mail: wp@wachendorff.de
www.wachendorff-prozesstechnik.de

