

Process display CUB4CL



- 3 ½-digit, 15 mm high brilliant display
- Input: 4 mA to 20 mA or 10 mA to 50 mA, scalable range and zero point
- Power supply from 9 VDC to 28 VDC
- Compact and space-saving
- High protection class IP65

<https://www.wachendorff-prozesstechnik.de/en/CUB4CL>

Description

The CUB4CL is a 3½-digit process display with zero point adjustment and range scaling. The input range is selectable between 4 mA to 20 mA and 10 mA to 50 mA. The CUB4CL requires an external power supply for its backlit LCD display. The LCD digits then light up intensely red or green.

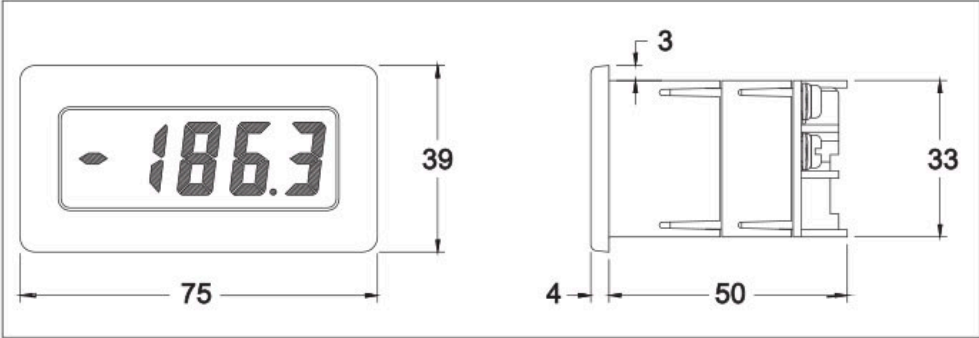
Product details

Display	3½-digit, 15 mm high, brilliant red or green/yellow backlit LCD display. Minus (-) for negative display. Display range: -1999 to 1999, decimal point adjustable via DIP switch. Input range exceeded is displayed.
Entrance	4 mA to 20 mA or 10 mA to 50 mA selectable via DIP switch.
Max. Voltage drop	3.2 VDC
Substitute resistor	max. 160 Ohm at 20 mA, max. 65 Ohm at 50 mA.
Scaling	Range: 0 to 2000, offset: -1999 to 1999. The zero point and range are scaled via a coarse and a fine adjustment potentiometer. These potentiometers are used to set the display value to a desired low and high value according to a defined sequence of steps when a corresponding low or high input signal is present. The device is scaled after approx. 3 cycles.
Max. Input current	100 mA.
Measuring rate	2.5 measurements/second.
Stabilization time	1,5 s
Power supply	The CUB4CL has an illuminated display, supply with: 9 VDC to 28 VDC, max. 50 mA
Protection class	Jet-proof and dust-tight to IP65 from the front.
Robust plastic housing	W 75 mm x H 39 mm x D 50 mm. Panel cut-out DIN 68 mm x 33 mm. Fastening via mounting frame.
Connection	Screw connections

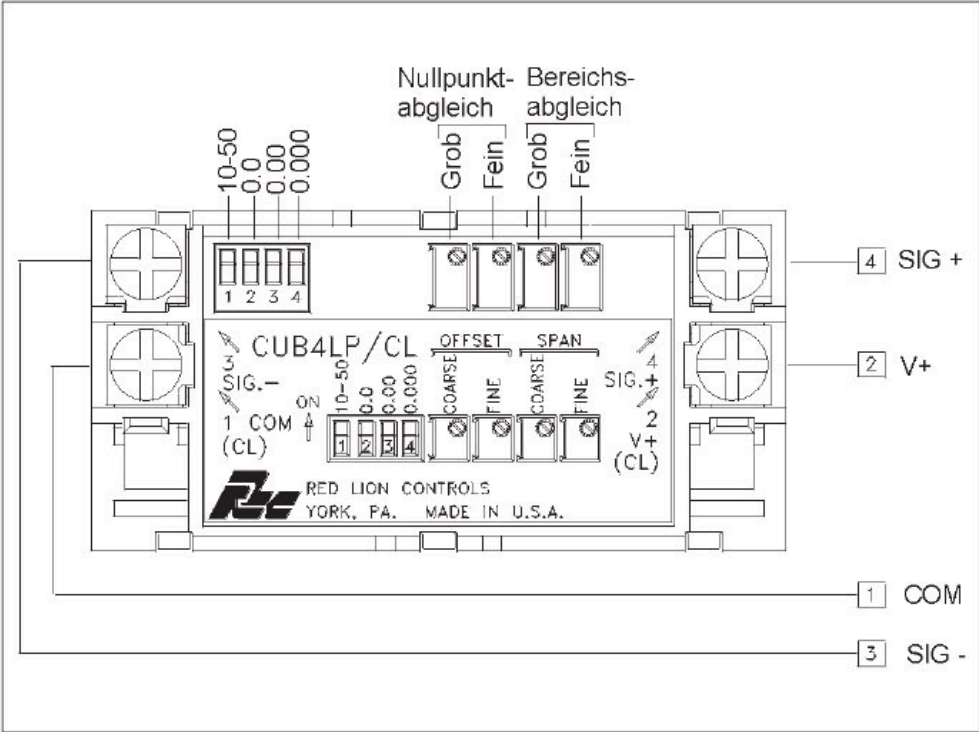
Connections	1 COM Ground (0 V) 2 V+ Power supply for backlighting 3 SIG - minus terminal of the signal input 4 SIG + positive terminal of the signal input
Linearity	(23°C, < 85% rel. humidity) +(0.1% + 1 digit).
Interference suppression	60 dB 50/60 Hz
Range temperature coefficient	100 ppm/°C
Offset temperature coefficient	0.2 digit/°C.
Ambient temperature	Operation: 0 °C to +60 °C, above 26 VDC to +50 °C. Storage: -40 °C to +80 °C.
Electromagnetic compatibility CE-compliant	Interference emission: EN 50 081-2 Interference immunity: EN 50 082-2
Approvals	UL approval (Underwriters Laboratories) for the USA and Canada.
Weight	100 g
Scope of delivery	Device, fixing material, seal, operating instructions.
Customs tariff number:	9030 33 70
Manufacturer	Red Lion Controls, USA.

Drawings

Dimensions (mm):



Abmessungen (in mm)



Rückseite



Wachendorff Prozesstechnik GmbH & Co. KG
Industriestrasse 7 • 65366 Geisenheim
Germany

Phone: +49 (0) 67 22 / 99 65 - 20
E-Mail: wp@wachendorff.de
www.wachendorff-prozesstechnik.de

