

Current display CUB4I



- 3 ½-digit, 15 mm high brilliant display
- Automatic zero point adjustment
- Freely selectable decimal point
- Free scaling via potentiometer
- Power supply for standard LCD display from 9 VDC to 28 VDC
- Compact and space-saving
- high protection class IP 65

<https://www.wachendorff-prozesstechnik.de/en/CUB4I>

Description

The CUB4I ammeter has a 15 mm high, brilliant LCD display. The display is available as a standard LCD or backlit in red or green/yellow. A decimal point can be freely set via DIP switches. The devices can be scaled via potentiometers to convert the input signal directly into another variable, for example pressure, flow rate, relative humidity, etc. The CUB4I is an economical display instrument with a large display that can be used in harsh industrial environments thanks to its high IP65 protection rating.

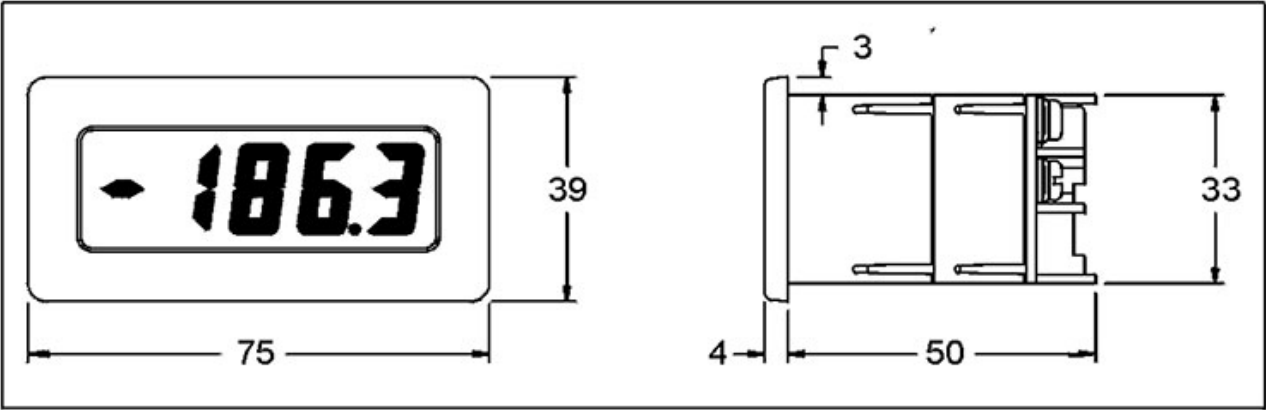
Product details

Display	3½-digit, 15 mm high LCD display as standard LCD or backlit in red or green/yellow. Minus (-) for negative current. Display range: -1999 to 1999, decimal point adjustable via DIP switch. Input range overflow is displayed.
Entrance areas	(selectable via jumper) ±199.9 µADC, ±1.999 mADC, ±19.99 mADC, ±199.9 mADC
Input impedance	199.9 µA to 1 kOhm, 1.999 mA to 100 Ohm, 19.99 mA to 10 Ohm, 199.9 mA to 1 Ohm
Note	A voltage difference of more than 1 volt between the ground of the power supply and the (-) signal input caused a measurement error.
Max. Input	199 µA range to 19.99 mA range: 10 times the max. input value. 199.9 mA range: 1 A.
Accuracy	(at 23 °C and 8 5% relative humidity) 199.9 µA, 1.999 mA, 19.99 mA. Range: +(0.1 % + 1 digit). 199.9 mA range: +(0.15 % + 1 digit).
Measuring rate	2.5 measurements/second.
Stabilization time	1,5 s
Power supply	Standard LCD display: 9 VDC to 28 VDC, max. 4 mA. Backlit display: 9 VDC to 28 VDC, max. 50 mA.
Protection class	Jet-proof and dust-tight to IP65 from the front.
Housing	Robust plastic housing W 75 mm x H 39 mm x D 50 mm. Panel cut-out: DIN 68 mm x 33 mm. Fastening via mounting frame.

Connection	Screw connections
Connections	1 COM Ground (0 V) 2 V+ Power supply 9 VDC to 28 VDC 3 SIG signal input (-) 4 SIG+ signal input (+)
Scaling	The range can be scaled using the scaling potentiometer. The zero point is automatically adjusted and cannot be scaled. The calibration potentiometer is used for precise calibration at the factory.
Ambient temperature	Operation: 0 °C to +60 °C (0 °C to +50 °C if supplied with more than 26 VDC). Storage: -40 °C to +80 °C.
Electromagnetic compatibility CE-compliant	Interference emission: EN50 081-1 Interference immunity: EN 50 082-2
Approvals	UL approval (Underwriters Laboratories) for the USA and Canada
Weight	approx. 100 g.
Scope of delivery	Device, fixing material, seal, operating instructions.
Accessories	Power supply unit 115/230 VAC/12 VDC, 80 mA.
Customs tariff number:	9030 33 70
Manufacturer	Red Lion Controls, USA

Drawings

Dimensions (mm):



Abmessungen (in mm)



Wachendorff Prozesstechnik GmbH & Co. KG
Industriestrasse 7 • 65366 Geisenheim
Germany

Phone: +49 (0) 67 22 / 99 65 - 20
E-Mail: wp@wachendorff.de
www.wachendorff-prozesstechnik.de

